

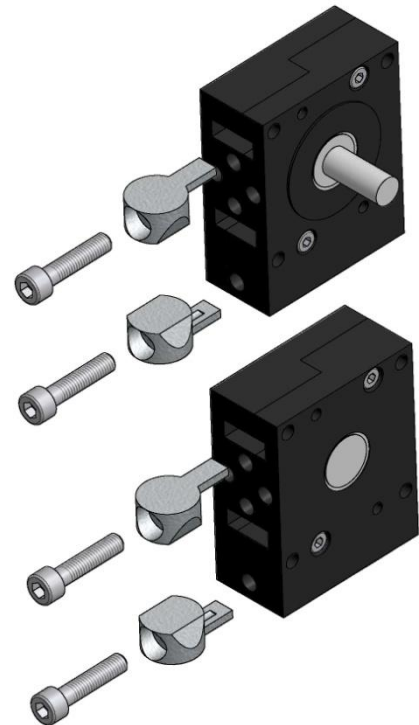


### SPECIFICATIONS

Travel Per Revolution	105mm (4.134in)
Pulley Teeth	21
Pitch	5mm
Belt Width	12mm
Shipping Weight	0.87 lbs
Beam Compatibility	28x28, 28x56

### Pulley Assembly Kit

PA\_ - AB\_



### PULLEY WEIGHT

Description	Weight (oz.)
Shafted	4.7
Idler	4.3
Double Shafted	5.4

### PARTS BREAKDOWN

Description	Qty/Kit
Pulley Assembly	1
Universal Fastener	2
M4 Socket Head Cap Screw	2

Ex. PAS-ABS

P	A	—	-	A	B	—
		S-SHAFTED				H-HEAVY DUTY
		I-IDLER				S-STANDARD
		D-DOUBLE SHAFTED				