



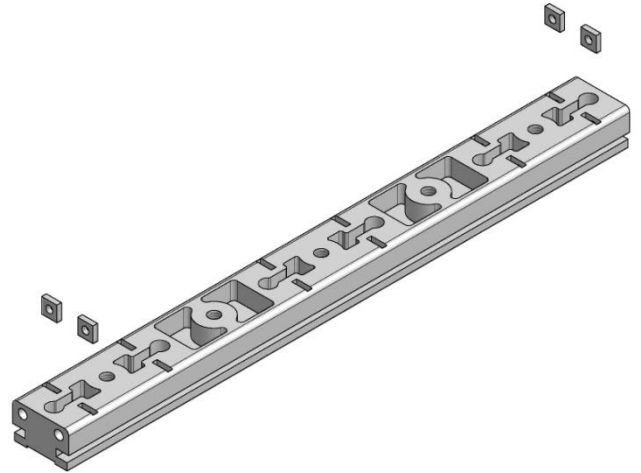
# MACRON DYNAMICS, INC.

PRODUCT  
Datasheet

## SPECIFICATIONS

Shipping Weight	.35 lbs (5.6 oz)
Actuator Type	Macron PSC Linear Actuator
Maximum Speed	200 in/sec
Acceleration Exceeding	5 G's

## Cart Assembly CSA-PSC



## MATERIALS

Cart Body	Aluminum
Nuts	Steel

## PARTS BREAKDOWN

DESCRIPTION	QTY
Cart Body	1
M4 Square Nuts	4

## DIMENSIONS



MACRON DYNAMICS, INC.  
100 Phyllis Drive  
Croydon, PA 19021

P: 215-443-8888  
F: 215-443-0981  
macron@macrondynamics.com

[www.macrondynamics.com](http://www.macrondynamics.com)

Rev 01