



# MACRON DYNAMICS, INC.

PRODUCT  
Datasheet

## Pulley Assembly Kit PAI-BT5

### SPECIFICATIONS

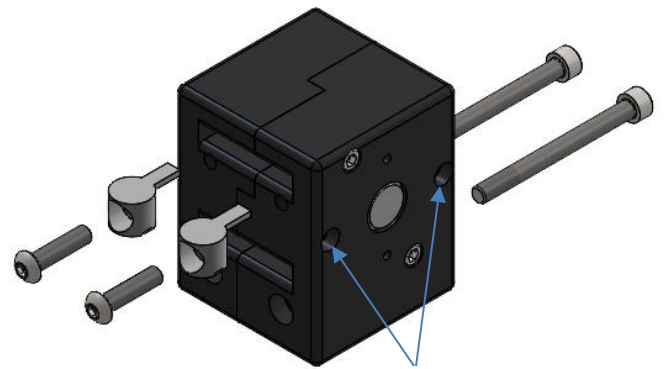
Travel Per Revolution	150mm (5.906 in)
Pulley Teeth	15
Pitch	10mm
Belt Width	50mm
Shipping Weight	4.7 lb

### MATERIALS

Pulley	Steel
Pulley Bearing	Steel
Hardware	Steel
Pulley Housing	Aluminum

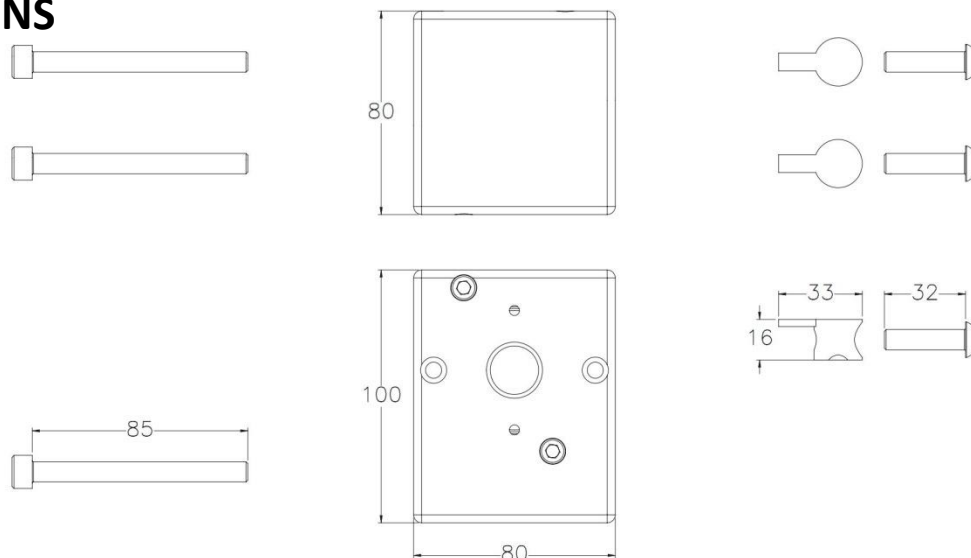
### PARTS BREAKDOWN

Description	Qty/Kit
Idler Pulley Assembly	1
Universal Fastener	2
M8 Button Head Cap Screw	2
M8 Socket Head Cap Screw	2



M8 taps for  
mounting guide  
block

### DIMENSIONS



For additional information please visit our website at: <http://www.macrondynamics.com/blog/technical-data>

MACRON DYNAMICS, INC.  
100 Phyllis Drive  
Croydon, PA 19021

P: 215-443-8888  
F: 215-443-0981  
macron@macrondynamics.com

[www.macrondynamics.com](http://www.macrondynamics.com)

Rev 00