



MACRON DYNAMICS, INC.

PRODUCT
Datasheet

SPECIFICATIONS

| | |
|-----------------------|------------------|
| Travel Per Revolution | 150mm (5.906 in) |
| Pulley Teeth | 15 |
| Pitch | 10mm |
| Belt Width | 25mm |
| Shipping Weight | .5 lb |

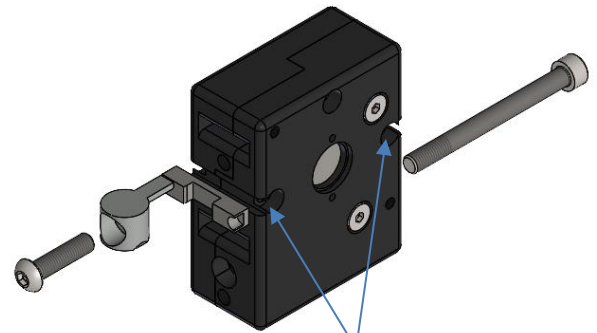
Pulley Assembly Kit PAI-BT2

MATERIALS

| | |
|----------------|----------|
| Pulley | Steel |
| Pulley Bearing | Steel |
| Hardware | Steel |
| Pulley Housing | Aluminum |

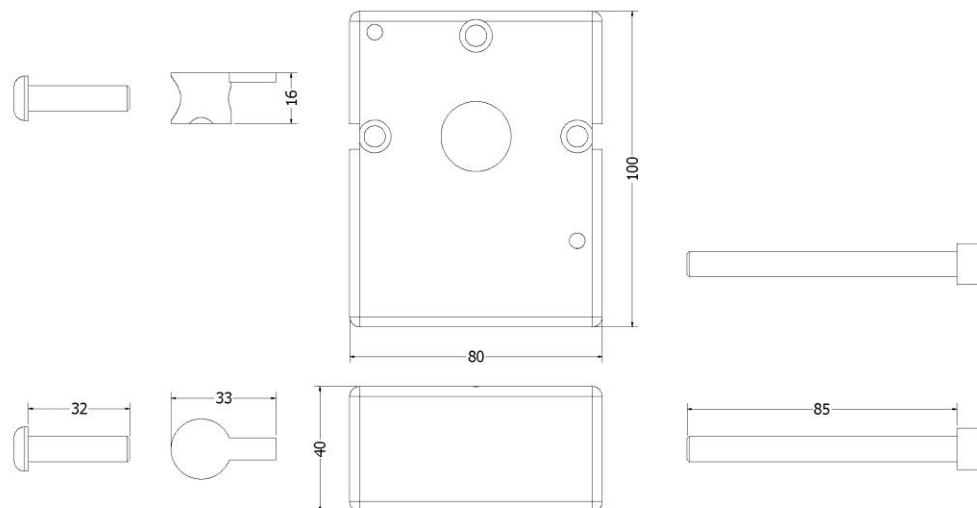
PARTS BREAKDOWN

| Description | Qty/Kit |
|--------------------------|---------|
| Idler Pulley Assembly | 1 |
| Universal Fastener | 1 |
| M8 Button Head Cap Screw | 1 |
| M8 Socket Head Cap Screw | 1 |
| Cast Key | 1 |



M8 taps for
mounting guide
block

DIMENSIONS



MACRON DYNAMICS, INC.
100 Phyllis Drive
Croydon, PA 19021

P: 215-443-8888
F: 215-443-0981

macron@macrondynamics.com

www.macrondynamics.com