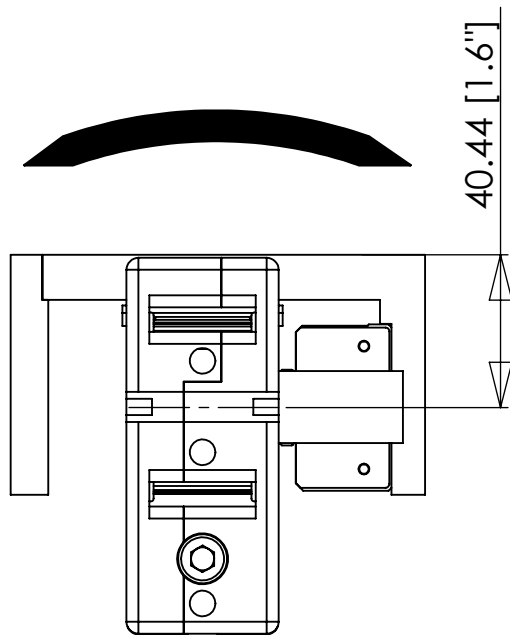
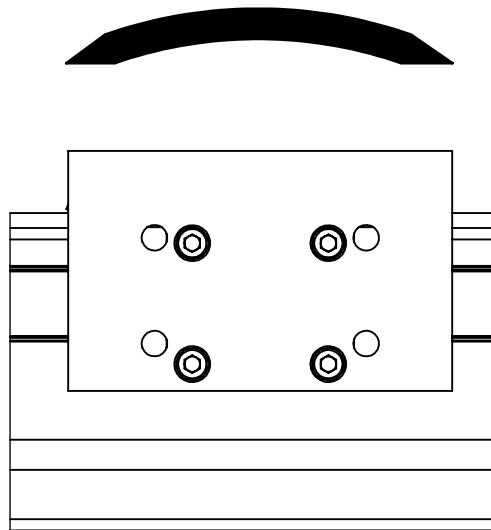


# MOMENT LOADING FOR THE MSA-R6S & MAA-R6S ACTUATOR

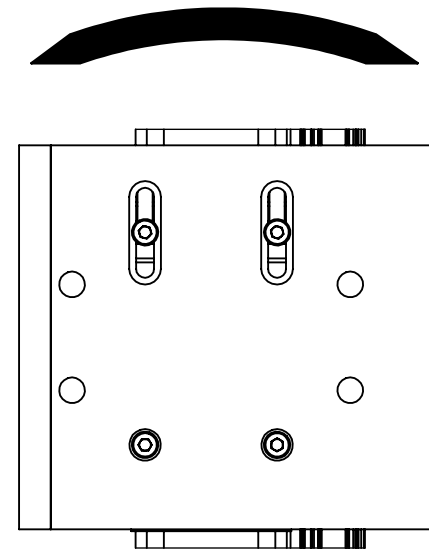
(CALCULATED FROM THE CENTERLINE OF THE GUIDE RAIL)



$M_x = 106 \text{ in-lbs, } 12 \text{ Nm.}$



$M_y = 354 \text{ in-lbs, } 40 \text{ Nm.}$



$M_z = 195 \text{ in-lbs, } 22 \text{ Nm.}$



MACRON DYNAMICS INC