



# MACRON DYNAMICS, INC.

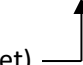
PRODUCT  
Datasheet

## SPECIFICATIONS

Max Speed	2 meters/sec
Max Acceleration	5G
Shipping Weight	3.2 lbs + 5.1lb/meter of length

## Guide Block Kit

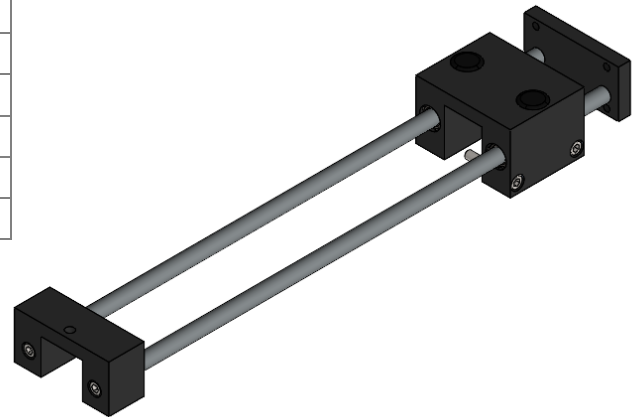
### GBK-BT2-\_\_\_\_\_

Insert overall length in mm.  
(See dimension at bottom of sheet) 

Ex. = GBK-BT2-500

## MATERIALS

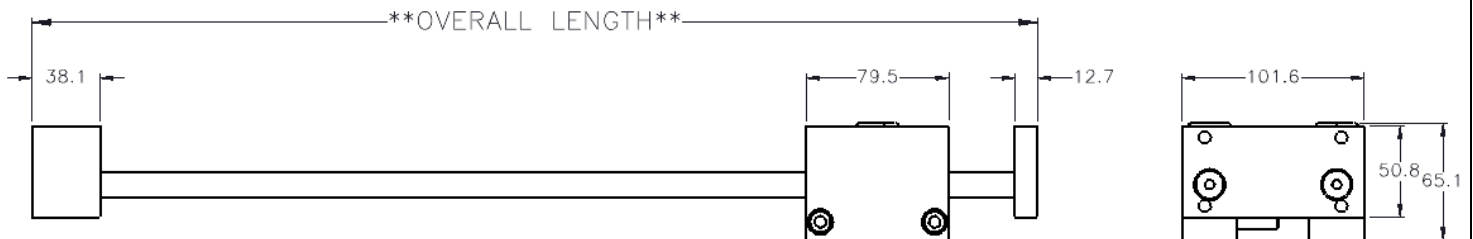
14mm rail	Chrome plated steel
End plates	Anodized aluminum
Guide block	Anodized aluminum
Linear bearings	Alloy steel
Grease fittings	Zinc plated steel
Hardware	Zinc plated steel



## PARTS BREAKDOWN

Description	Qty/Kit
14mm rail	2
End plate	1
Tension block mount	1
Guide block assembly	1

## DIMENSIONS



MACRON DYNAMICS, INC.  
100 Phyllis Drive  
Croydon, PA 19021

P: 215-443-8888  
F: 215-443-0981  
macron@macrondynamics.com

[www.macrondynamics.com](http://www.macrondynamics.com)

Rev 01