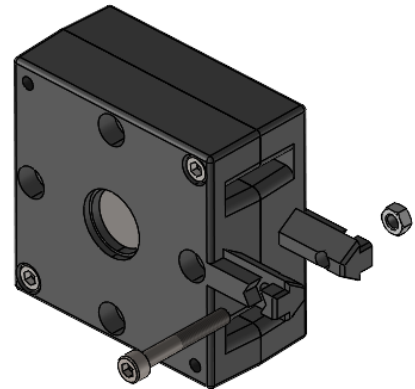
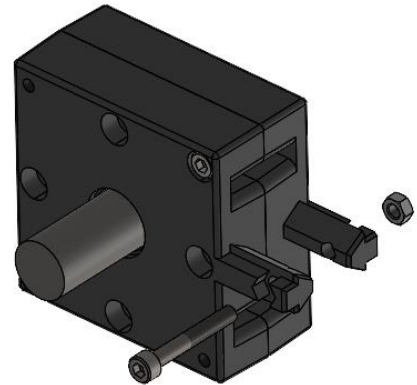




## SPECIFICATIONS

Travel Per Revolution	150mm (5.906in)
Pulley Teeth	15
Pitch	10mm
Belt Width	25mm
Shipping Weight	2.8 lbs
Beam Compatibility	40x80, 80x80

## Pulley Assembly Kit PA\_ - BCC



## PULLEY WEIGHT

Description	Weight (oz.)
Shafted	11.3
Idler	7.7
Double Shafted	17.0

## PARTS BREAKDOWN

Description	Qty/Kit
Pulley Assembly	1
M5 Nut	1
M5 Socket Head Cap Screw	1

### Ex. PAS-BCC

P	A	—	—	B	C	C
		S-SHAFTED				
		I-IDLER				
		D-DOUBLE SHAFTED				