



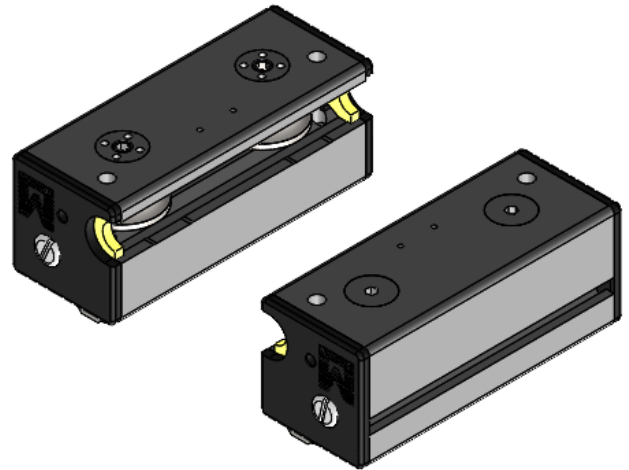
SPECIFICATIONS

Bearing block replacement kit

Assembly

Shipping Weight	4.1 lbs
Actuator Type	Macron 14 Linear Actuator
Maximum Speed	400 in/sec
Acceleration Exceeding	9 G's

BBK-14S



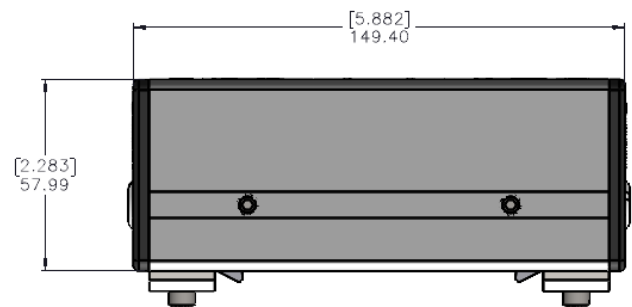
MATERIALS

Bearing Block Housing	Aluminum
Rollers	Steel
Screws	Steel/Nylon

PARTS BREAKDOWN

DESCRIPTION	QTY
Bearing Block Housing	2
RLK-14S (See page 2)	1
WRK-14S (See page 2)	1
Hardware (P/N 048)	4

DIMENSIONS





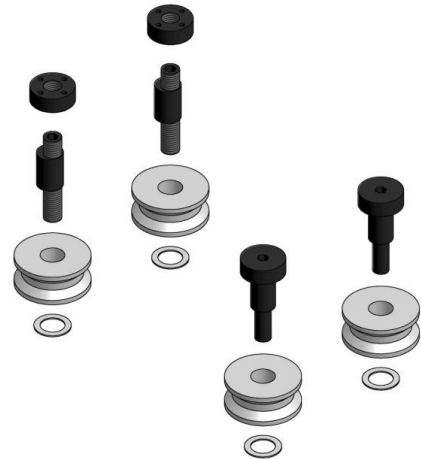
MACRON DYNAMICS, INC.

PRODUCT
Datasheet

ROLLER REPLACEMENT KIT RLK-14S

PARTS BREAKDOWN

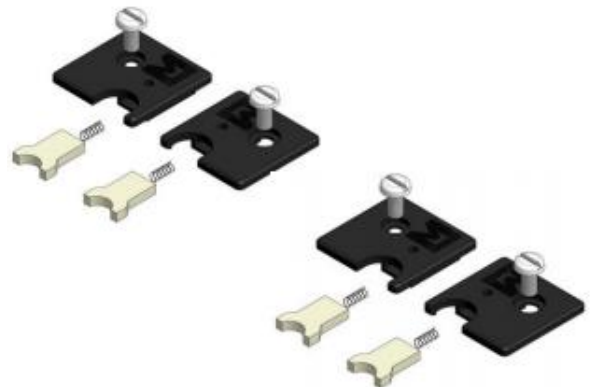
Description	QTY
14 CONCENTRIC ROLLER SHAFT	2
14 ECCENTRIC ROLLER SHAFT	2
14 ROLLER	4
14 SPANNER NUT	2
14 SHAFT SPACER	4



WIPER REPLACEMENT KIT WRK-14S

PARTS BREAKDOWN

Description	QTY
14 WIPER	4
14 WIPER SPRING	4
M8 Pan Head Screw	4
14 LUB. END CAP, LEFT	2
14 LUB. END CAP, RIGHT	2



MACRON DYNAMICS, INC.
100 Phyllis Drive
Croydon, PA 19021

P: 215-443-8888
F: 215-443-0981
macron@macrondynamics.com

www.macrondynamics.com

Rev 01