



MACRON DYNAMICS, INC.

PRODUCT
Datasheet

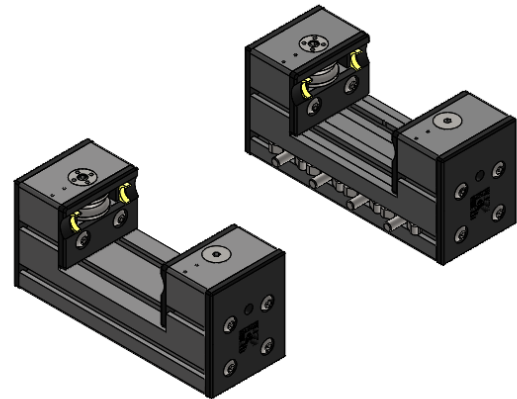
SPECIFICATIONS

Bearing block replacement kit

Assembly

Shipping Weight	10 lbs
Actuator Type	Macron 14H Linear Actuator
Maximum Speed	400 in/sec
Acceleration Exceeding	9 G's

BBK-14H



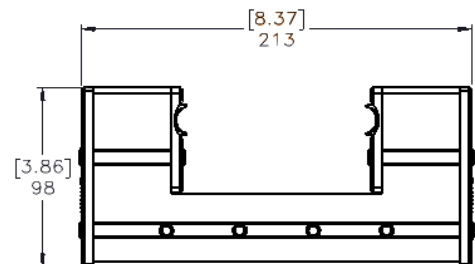
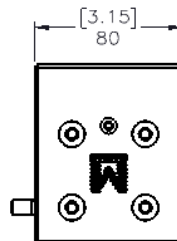
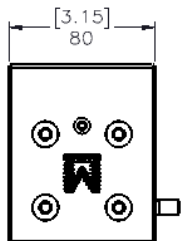
MATERIALS

Bearing Block Housing	Aluminum
Rollers	Steel
Hardware	Steel

PARTS BREAKDOWN

DESCRIPTION	QTY
Bearing Block Housing	2
RLK-14S (See page 2)	1
WRK-14H (See page 2)	1
Standard Fastener Set	8

DIMENSIONS



MACRON DYNAMICS, INC.
100 Phyllis Drive
Croydon, PA 19021

P: 215-443-8888
F: 215-443-0981
macron@macrondynamics.com

www.macrondynamics.com

Rev 01



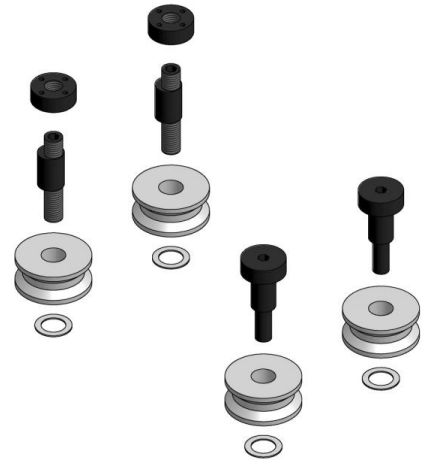
MACRON DYNAMICS, INC.

PRODUCT
Datasheet

ROLLER REPLACEMENT KIT RLK-14S

PARTS BREAKDOWN

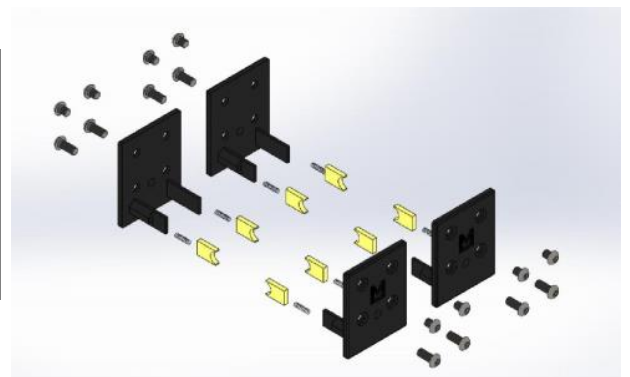
Description	QTY
14 CONCENTRIC ROLLER SHAFT	2
14 ECCENTRIC ROLLER SHAFT	2
14 ROLLER	4
14 SPANNER NUT	2
14 SHAFT SPACER	4



WIPER REPLACEMENT KIT WRK-14H

PARTS BREAKDOWN

Description	QTY
LUBRICATING END CAP	4
SPRING	8
WIPER	8
M8x10 BHCS-ZP	8
M8x25 BHCS-ZP	8



MACRON DYNAMICS, INC.
100 Phyllis Drive
Croydon, PA 19021

P: 215-443-8888
F: 215-443-0981
macron@macrondynamics.com

www.macrondynamics.com

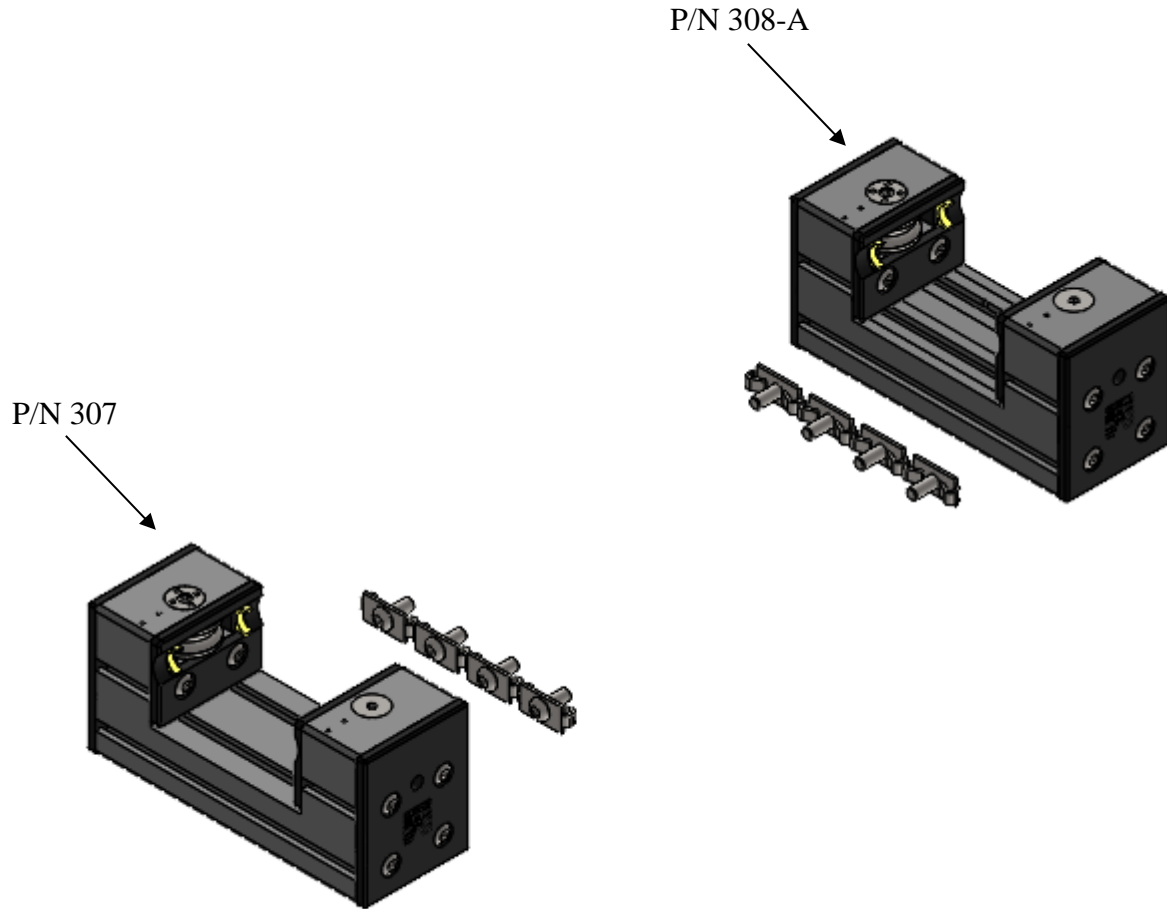
Rev 01



MACRON DYNAMICS, INC.

PRODUCT
Datasheet

BEARING BLOCK BREAKDOWN



MACRON DYNAMICS, INC.
100 Phyllis Drive
Croydon, PA 19021

P: 215-443-8888
F: 215-443-0981
macron@macrondynamics.com

www.macrondynamics.com

Rev 01