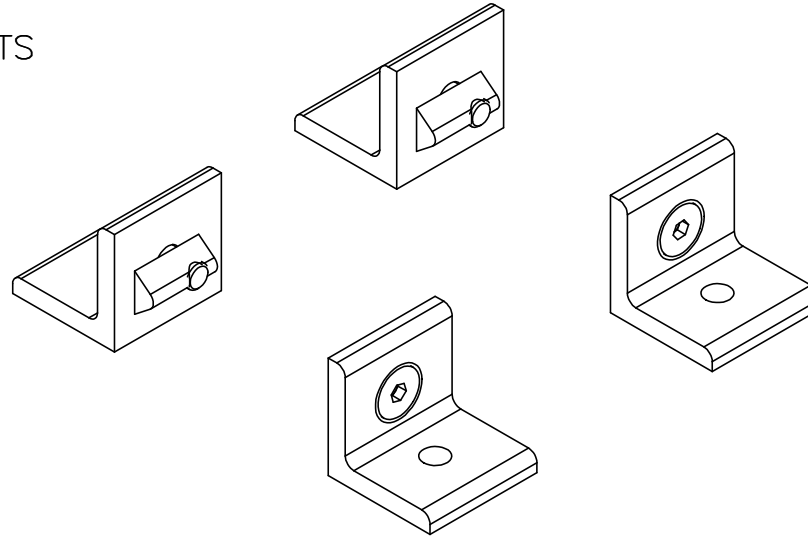


# MKL-100

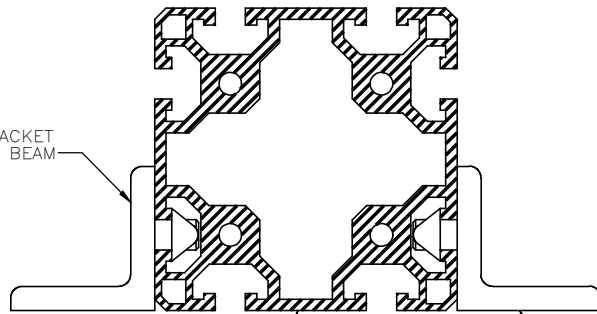
REVISION HISTORY			
REV.	DESCRIPTION	DATE	REVISED BY:

## KIT INCLUDES:

- 4 M8 T-NUTS
- 4 M8 FLAT-HEAD BOLTS
- 4 ANGLE BRACKETS



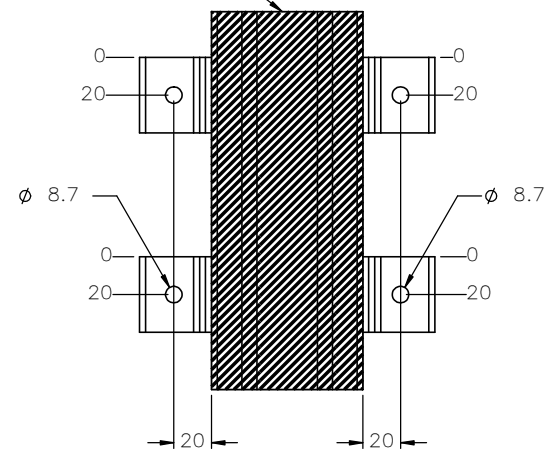
MKL-100 ANGLE BRACKET  
KIT INSTALLED ONTO BEAM



ACTUATOR BEAM—ONLY FOR REFERENCE  
YOUR ACTUATOR BEAM MAY VARY

MKL-100 ANGLE BRACKET  
KIT INSTALLED ONTO BEAM

ACTUATOR BEAM—ONLY FOR REFERENCE  
YOUR ACTUATOR BEAM MAY VARY



\*1 KIT RECOMMENDED FOR  
EVERY 1 METER OF TRAVEL\*

FOR USE WITH THE FOLLOWING SYSTEMS:

- > MSA-M6S > MSA-SB2 > MSA-BT2
- > MSA-R6S > MSA-SB5 > MSA-DRT
- > MSA-135 > MSA-RTU1 > MSA-SRT
- > MSA-14S > MSA-R20 > MSA-M6D
- > MSA-BT5

ITEM	QTY.	PART NUMBER	REV	DESCRIPTION
1	4	3885008	01	ANGLE BRACKET
2	4	545-18-ZP		M8 x 18 FHCS-ZP
3	4	M20058		T-SLOT NUT, M8

<p>MACRON DYNAMICS INC</p>	DRAWN BY: JA      DATE: 12/10/2018 CHECKED BY: --      DATE: DD/MM/YYYY LAST SAVED BY: JA      DATE: 10/14/2019	MATERIAL:	TITLE: ACTUATOR MOUNTING KIT STANDARD DUTY
	UNLESS OTHERWISE SPECIFIED: DIMENSIONS ARE IN MILLIMETERS: TOLERANCES UNLESS NOTED: OTHERWISE:	FINISH:	
	SURFACE FINISH      ✓ BREAK ALL SHARP EDGES DIMENSIONAL LIMITS APPLY AFTER FINISHING	SHEET      PART NUMBER 1 OF 1      MKL-100	
	SCALE: 1:1      SHEET SIZE: C	REV	