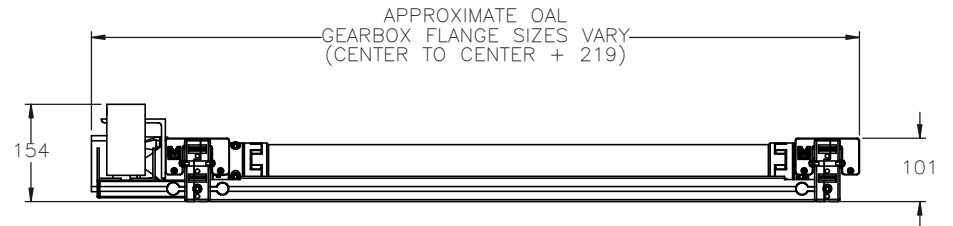
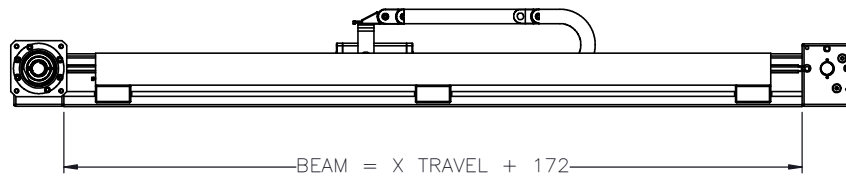
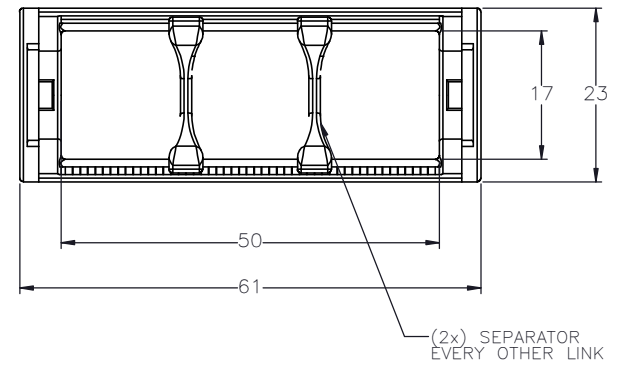



GANTRY FOOTPRINT

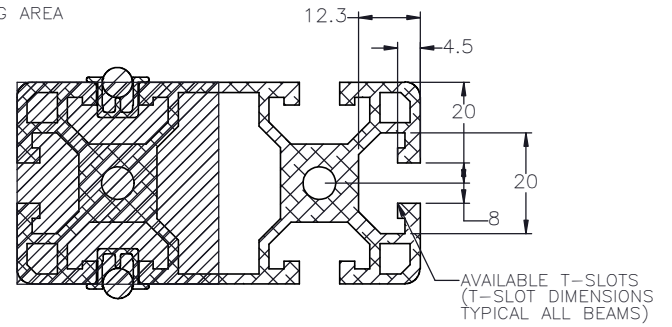
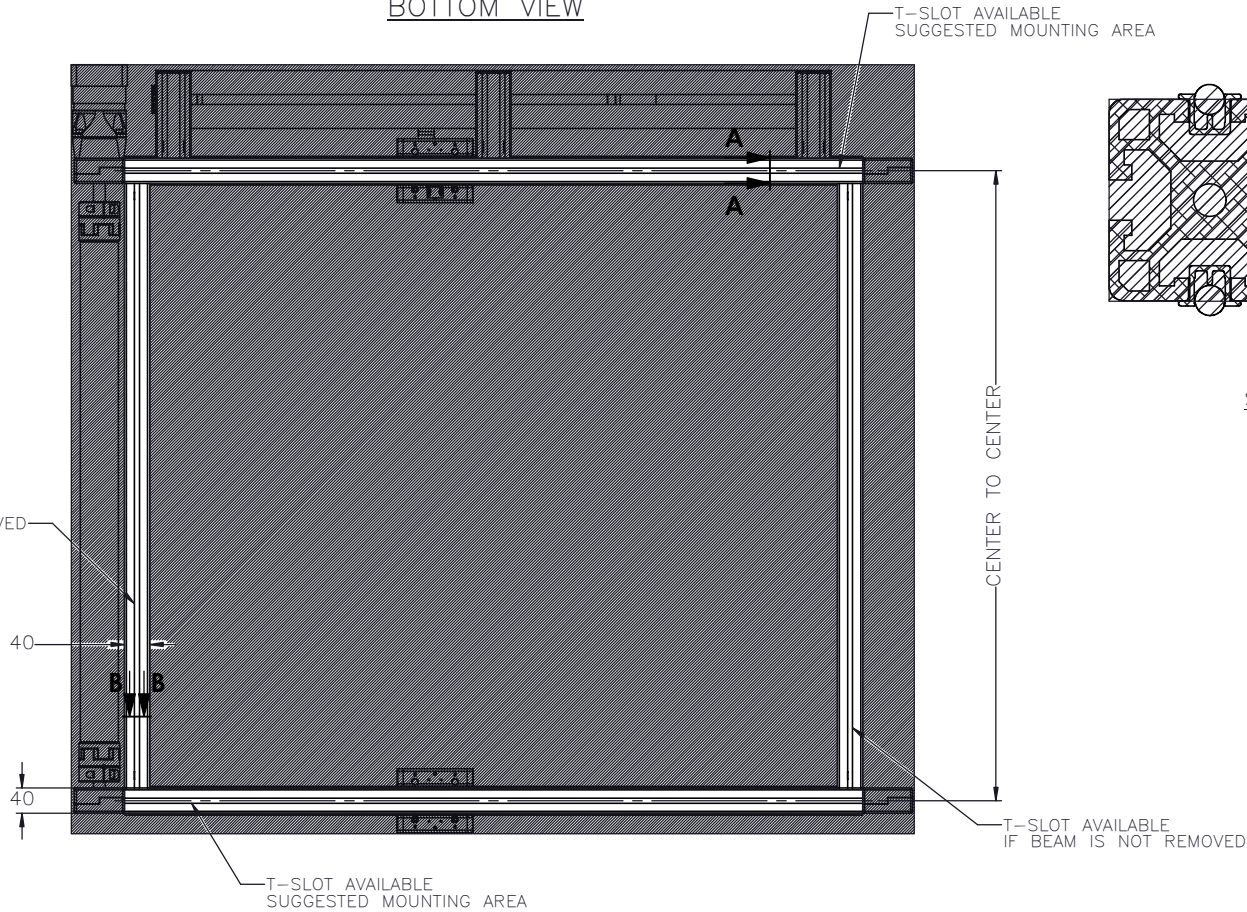
CABLE TRACK CROSS SECTION



 MACRON DYNAMICS INC	DRAWN BY: AW DATE: 8/9/2023	MATERIAL:	TITLE:
	CHECKED BY: -- DATE: DD/MM/YYYY	FINISH:	SCALE: 1:1 SHEET SIZE: C
	LAST SAVED BY: awong DATE: 8/9/2023		
	UNLESS OTHERWISE SPECIFIED: DIMENSIONS ARE IN MILLIMETERS TOLERANCES UNLESS NOTED OTHERWISE:	SURFACE FINISH: 63 BREAK ALL SHARP EDGES DIMENSIONAL LIMITS APPLY AFTER FINISHING THIRD ANGLE PROJECTION	SHEET: 2 OF 6 PART NUMBER: MDS-M6S-X-X-X

GANTRY MOUNTING FEATURES

BOTTOM VIEW



SECTION A-A

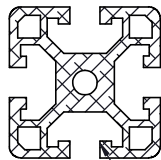
T-SLOT AVAILABLE
IF BEAM IS NOT REMOVED

40

40

T-SLOT AVAILABLE
SUGGESTED MOUNTING AREA

T-SLOT AVAILABLE
IF BEAM IS NOT REMOVED



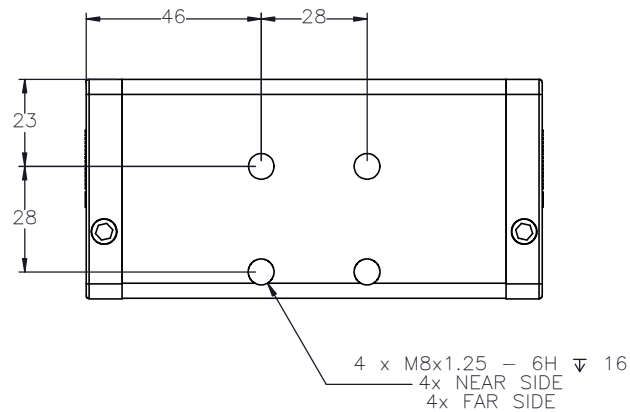
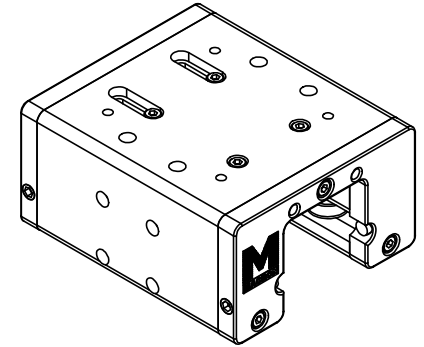
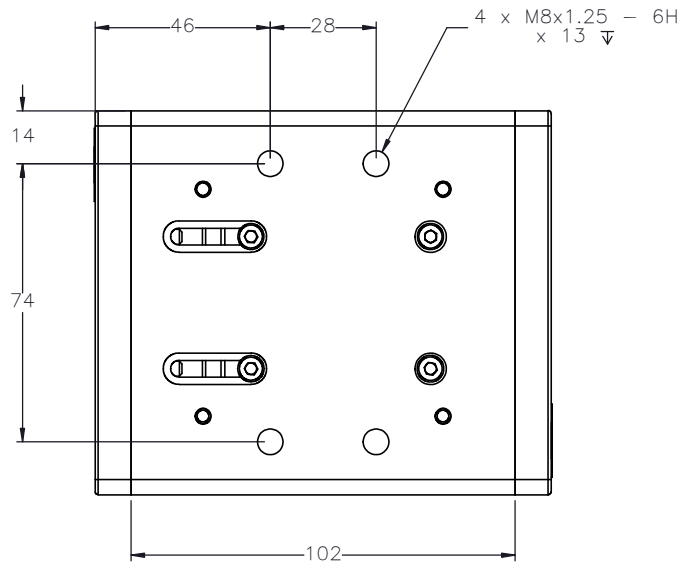
AVAILABLE T-SLOTS


SECTION B-B

 MACRON DYNAMICS INC	DRAWN BY: AW DATE: 8/9/2023	MATERIAL:	TITLE:
	CHECKED BY: -- DATE: DD/MM/YYYY	FINISH:	SCALE: 1:1 SHEET SIZE: C
	LAST SAVED BY: awong DATE: 8/9/2023		
	UNLESS OTHERWISE SPECIFIED: DIMENSIONS ARE IN MILLIMETERS TOLERANCES UNLESS NOTED: OTHERWISE:	.X ± .762 .XX ± .254 .XXX ± .127 ANG ± 0°30'	SHEET: 3 OF 6 PART NUMBER: MDS-M6S-X-X-X REV: C
SURFACE FINISH: 63 BREAK ALL SHARP EDGES DIMENSIONAL LIMITS APPLY AFTER FINISHING THIRD ANGLE PROJECTION			

THIS DRAWING IS THE PROPERTY OF MACRON DYNAMICS. ANY REPRODUCTIONS SHALL BE FOR QUOTATION, MANUFACTURING OR PURCHASING PURPOSES ONLY. RELEASE OF DRAWINGS TO OTHER CONCERNS DOES NOT CONSTITUTE LICENSING IN ANY WAY. INFORMATION CONTAINED HEREIN IS PROPRIETARY AND CONFIDENTIAL.

CART MOUNTING FEATURES



 MACRON DYNAMICS INC	DRAWN BY: AW DATE: 8/9/2023	MATERIAL:	TITLE:
	CHECKED BY: -- DATE: DD/MM/YYYY	FINISH:	MACRON 6 CART ASSEMBLY
	LAST SAVED BY: awong DATE: 8/9/2023		
	UNLESS OTHERWISE SPECIFIED: DIMENSIONS ARE IN MILLIMETERS. TOLERANCES UNLESS NOTED: OTHERWISE:	.X ± .762 .XX ± .254 .XXX ± .127 ANG ± 0°30'	SCALE: 1:1 SHEET SIZE: C
THIS DRAWING IS THE PROPERTY OF MACRON DYNAMICS. ANY REPRODUCTIONS SHALL BE FOR QUOTATION, MANUFACTURING, OR PURCHASING PURPOSES ONLY. RELEASE OF DRAWINGS TO OTHER CONCERNS DOES NOT CONSTITUTE LICENSING IN ANY WAY. INFORMATION CONTAINED HEREIN IS PROPRIETARY AND CONFIDENTIAL.	SURFACE FINISH: 63 BREAK ALL SHARP EDGES DIMENSIONAL LIMITS APPLY AFTER FINISHING THIRD ANGLE PROJECTION	SHEET: 4 OF 6 PART NUMBER: MDS-SBH-X-X-X	REV: 02

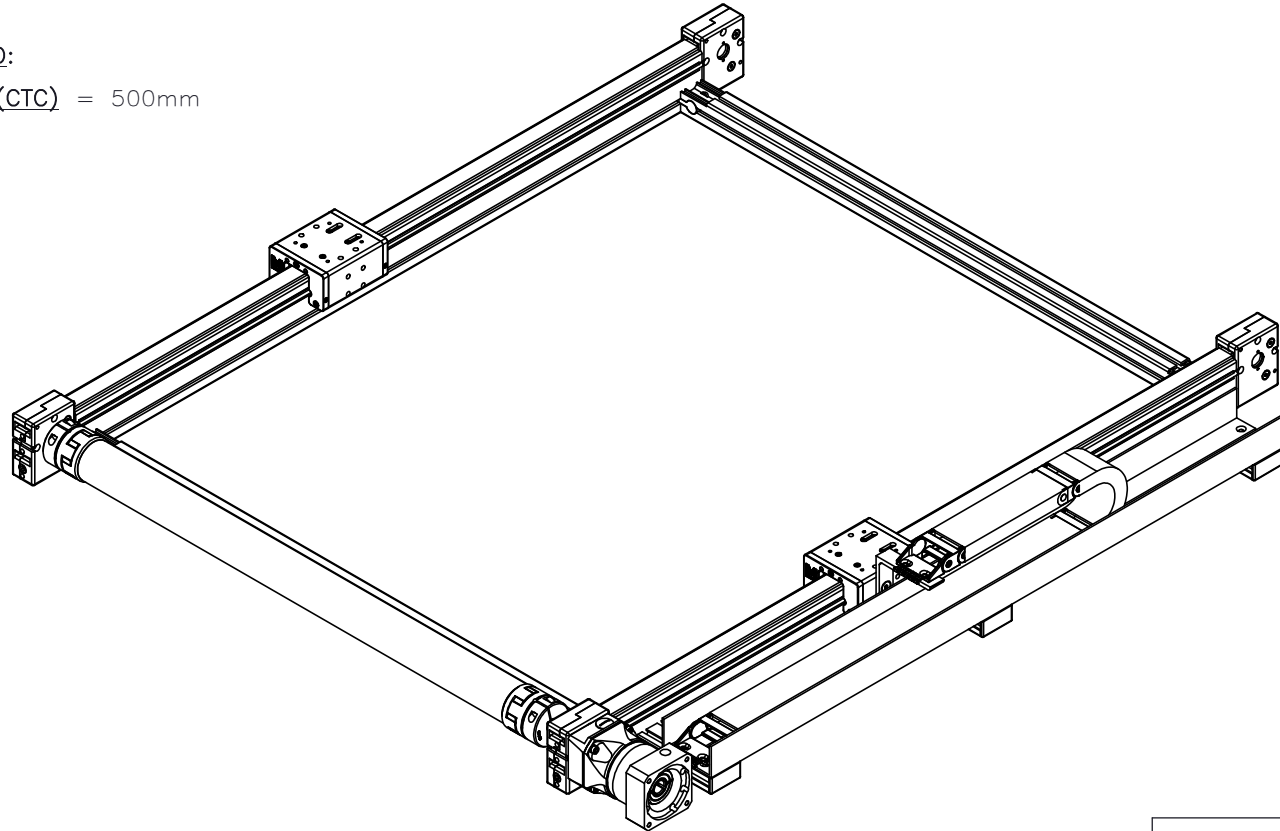
MOTOR SIZING WORKSHEET

(INCREMENTAL ADDERS REFER TO MASS PER TRAVEL LENGTH)

BASED TRAVELS USED:

X-TRAVEL = 150mm

CENTER TO CENTER (CTC) = 500mm




PROPERTY	BASE VALUE (T=150mm, CTC=500mm)
**MOVING MASS	2.318kg(+0.030kg/25mm)
BELT MASS	1.28kg(+0.012kg/25mm)
PULLEY PITCH ϕ	47.75mm (1.88")
PULLEY WIDTH	28.9mm (1.14")
PULLEY MATERIAL	STEEL
TORQUE TUBE LENGTH	421mm
TORQUE TUBE ϕ	60mm
TORQUE TUBE MASS	1.485kg(+0.036kg/25mm)
TORQUE TUBE MATERIAL	ANODIZED ALUMINUM ELASTOMER STYLE COUPLINGS WITH HUB
TRAVEL PER REV	150mm

X-TRAVEL = _____ mm
 CENTER TO CENTER (CTC) = _____ mm

NOTE: ALL SUPPLIED MASSES DO NOT INCLUDE CUSTOMER COMPONENTS (MOTORS, CABLES, ETC)

GEARBOX MASS (ADD TO SYSTEM MASS)	MPG-064	1.0kg
	MPG-084	2.3kg
	MPG-114	5.8kg
	MRG-064	3.0kg
	MRG-084	5.6kg
	MRG-114	15.0kg

TOTAL SYSTEM MASS	(X-TRAVEL x .0089) + (CTC x .0052) + 9.615 = kg		
 MACRON DYNAMICS INC	DRAWN BY: AW	DATE: 8/9/2023	MATERIAL:
	CHECKED BY: --	DATE: DD/MM/YYYY	TITLE:
	LAST SAVED BY: qwong	DATE: 8/9/2023	FINISH:
	<small>UNLESS OTHERWISE SPECIFIED, DIMENSIONS ARE IN MILLIMETERS. TOLERANCES UNLESS NOTED OTHERWISE:</small> .X ± .762 .XX ± .254 .XXX ± .127 ANG ± 0°30'		SCALE: 1:1
<small>THIS DRAWING IS THE PROPERTY OF MACRON DYNAMICS. ANY REPRODUCTIONS SHALL BE FOR QUOTATION, MANUFACTURING, OR PURCHASING PURPOSES ONLY. RELEASE OF DRAWINGS TO OTHER CONCERNS DOES NOT CONSTITUTE LICENSING IN ANY WAY. INFORMATION CONTAINED HEREIN IS PROPRIETARY AND CONFIDENTIAL.</small>	SURFACE FINISH <input checked="" type="checkbox"/>	BREAK ALL SHARP EDGES	SHEET 5 OF 6
DIMENSIONAL LIMITS APPLY AFTER FINISHING		THIRD ANGLE PROJECTION	PART NUMBER MDS-M6S-X-X-X

SPECIFICATIONS

Sensor Type	Inductive
Sensor Size	Fits all 8mm wide T-Slots
Operating Voltage	10-30 VDC
Voltage Drop Across Conducting Sensor	≤1.8 V at 100 mA
Number of Conductors (AWG)	3x26 AWG
Temperature Range	-40°C to 105°C

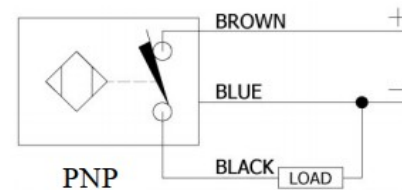
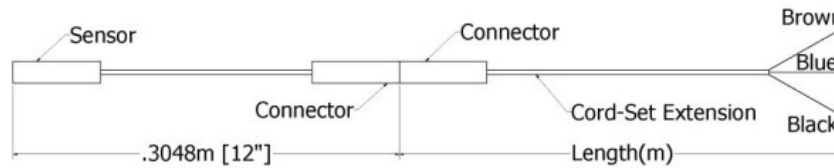
Part Number Configuration

244- - - - -

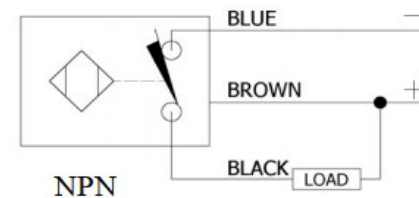
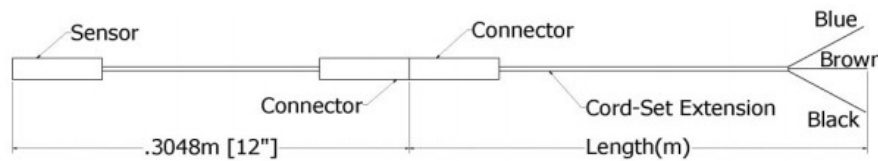
PNP or NPN	NC or NO	02	Meters
PNP or NPN	NC or NO	06	Meters
PNP or NPN	NC or NO	12	Meters

Example: PNP, normally closed, cord-set extension length 6 meters = 244-PNP-NC-06

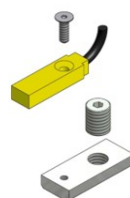
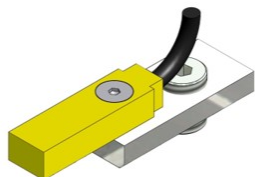
PNP Diagrams



NPN Diagrams



KIT INCLUDES – SENSOR, CORDSET EXTENSION, AND MOUNTING HARDWARE



	DRAWN BY: AW	DATE: 8/9/2023	MATERIAL:	TITLE:
	CHECKED BY: --	DATE: DD/MM/YYYY		T-SLOT SENSOR KIT
	LAST SAVED BY: awong	DATE: 8/9/2023	FINISH:	SCALE 1:1
	<small>UNLESS OTHERWISE SPECIFIED, DIMENSIONS ARE IN MILLIMETERS. TOLERANCES UNLESS NOTED OTHERWISE:</small> .X ± .762 .XX ± .254 .XXX ± .127 ANG ± 0°30'			SHEET SIZE C
<small>THIS DRAWING IS THE PROPERTY OF MACRON DYNAMICS. ANY REPRODUCTIONS SHALL BE FOR QUOTATION, MANUFACTURING, OR PURCHASING PURPOSES ONLY. RELEASE OF DRAWINGS TO OTHER CONCERNS DOES NOT CONSTITUTE LICENSING IN ANY WAY. INFORMATION CONTAINED HEREIN IS PROPRIETARY AND CONFIDENTIAL.</small>	SURFACE FINISH	✓	SHEET 6 OF 6	PART NUMBER MDS-M6S-X-X-X
	BREAK ALL SHARP EDGES			REV
	DIMENSIONAL LIMITS APPLY AFTER FINISHING			
	THIRD ANGLE PROJECTION			