

# MAA-R6D-E-BC- -

PULLEY PITCH DIAMETER	47.75mm (1.880")
PULLEY WIDTH	28.9mm (1.138")
PULLEY MATERIAL	STEEL
BELT WEIGHT (kg)	$((\text{TRAVEL IN METERS} \times 2) + .64) \times .12$
TRAVEL PER REV.	150mm
TRAVEL MIN.	150mm
TRAVEL MAX.	3825mm
CART WEIGHT (kg)	1.08kg
SYSTEM WEIGHT (kg)	$(\text{TRAVEL IN METERS} \times 5.7) + 4.6$

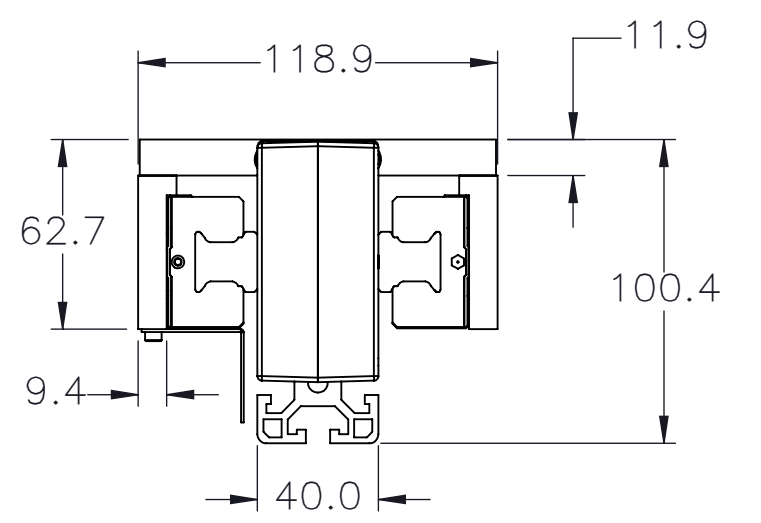
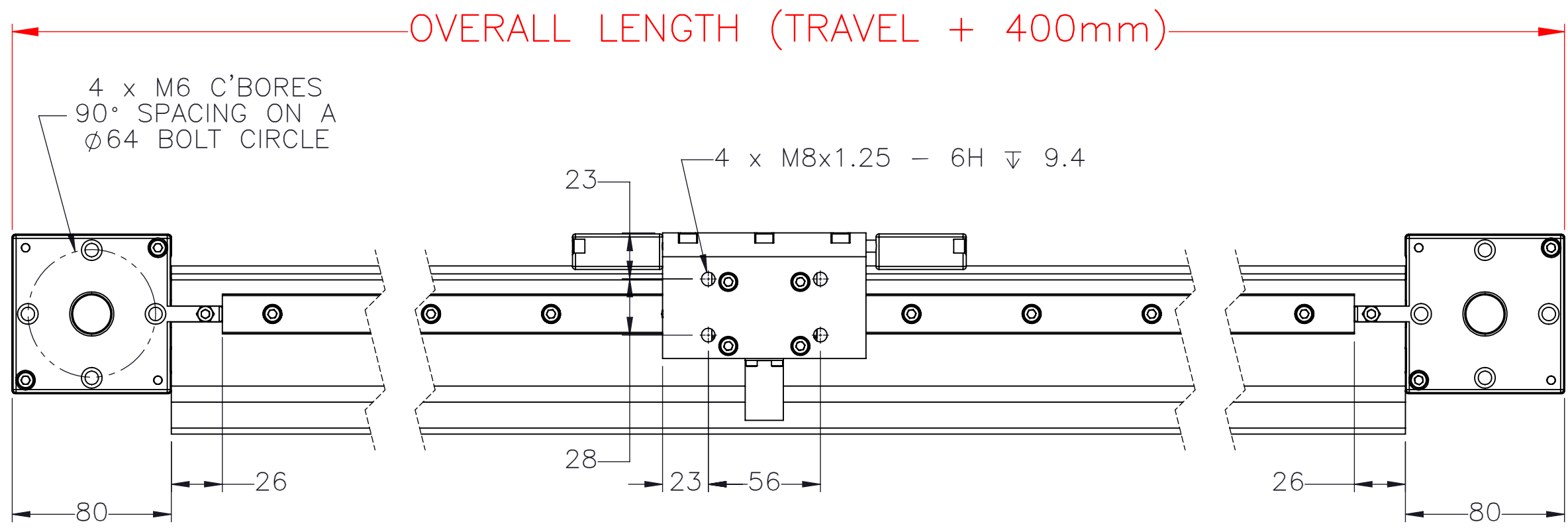
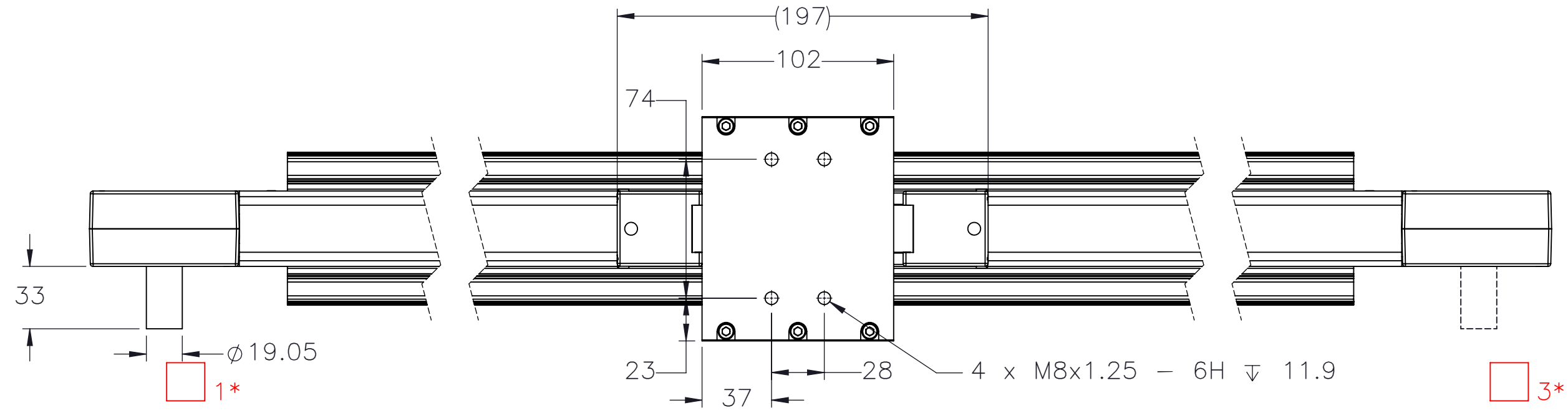
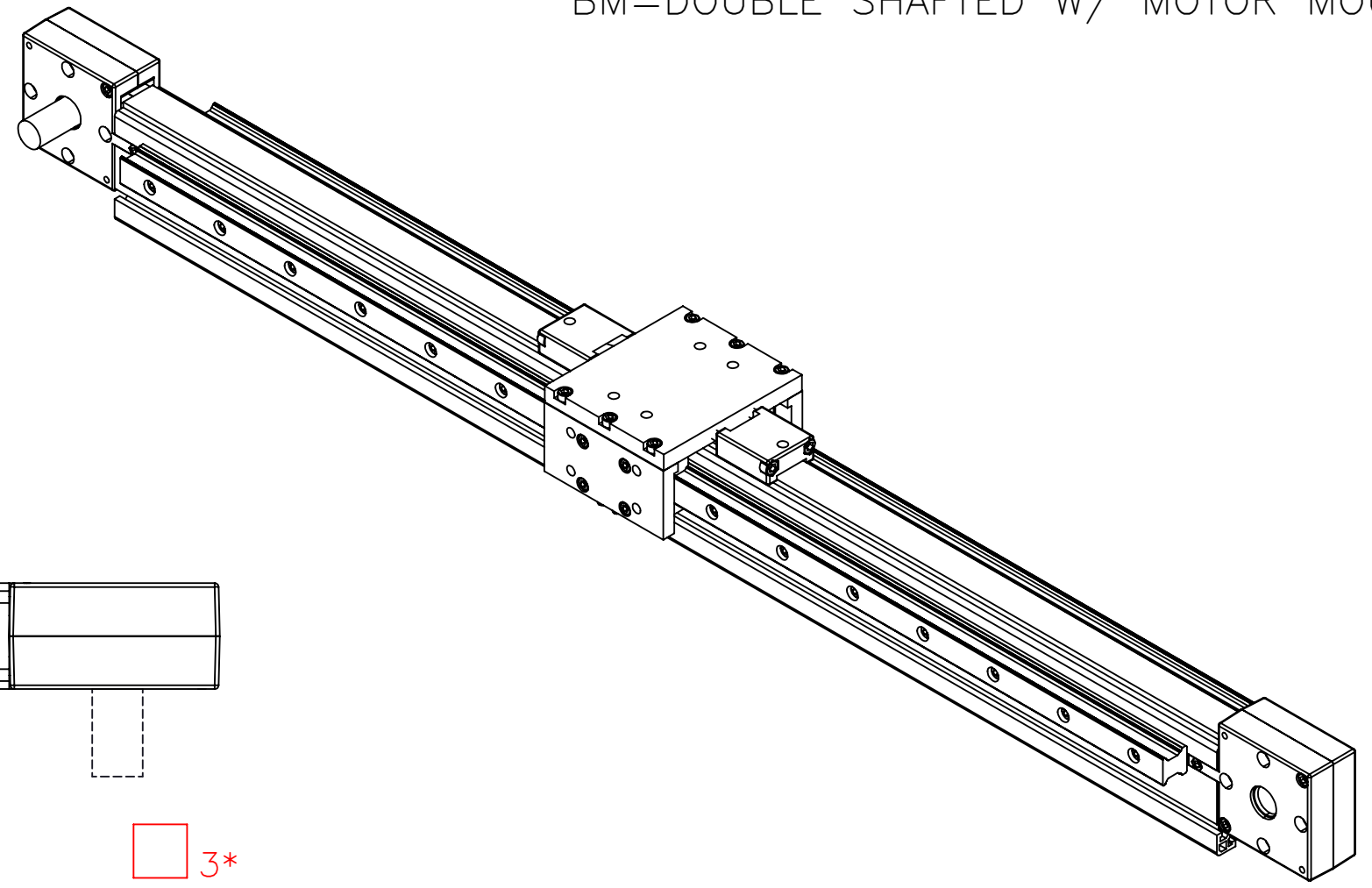
**ENTER**  
TRAVEL IN INCREMENTS OF 25mm

**SELECT**  
DRIVE SHAFT LOCATION\*

**SHAFTING TYPE**  
A0= SINGLE SHAFTED  
B0= DOUBLE SHAFTED

NOTE: (IF "B" IS USED THE NUMBER WILL DESIGNATE POSITION OF SHORT SHAFT. SECOND SHAFT WILL BE 50.8mm LONG.)

AM= SINGLE SHAFTED W/ MOTOR MOUNT  
BM= DOUBLE SHAFTED W/ MOTOR MOUNT



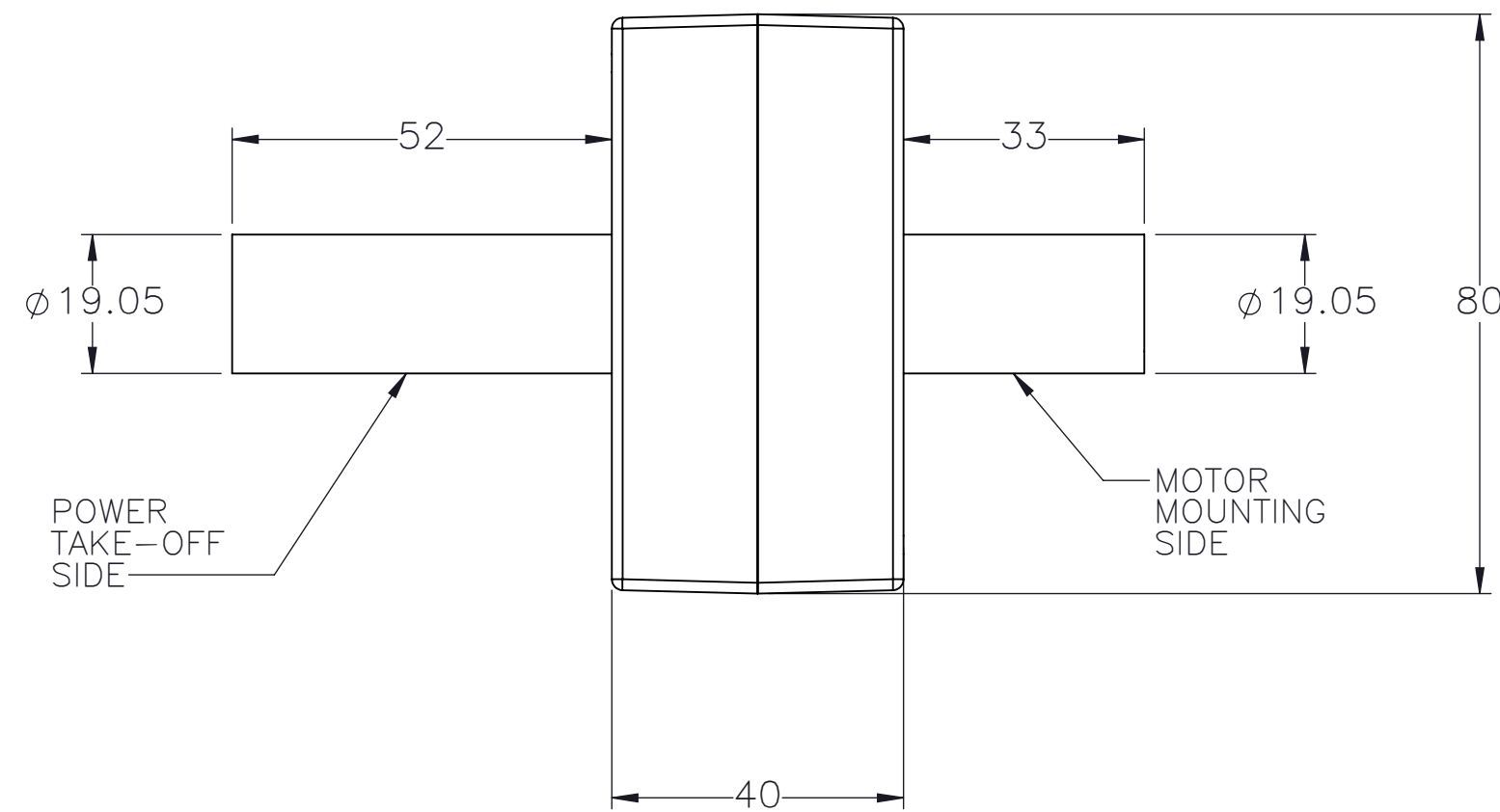
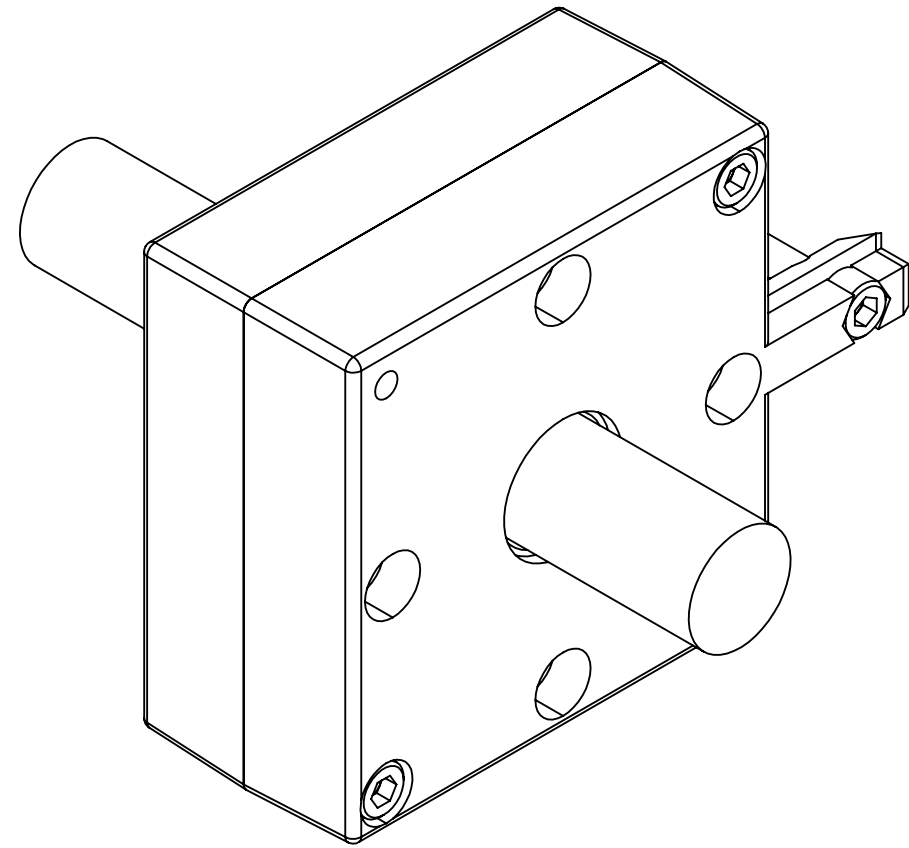
APPROVED: \_\_\_\_\_

DATE: \_\_\_\_\_

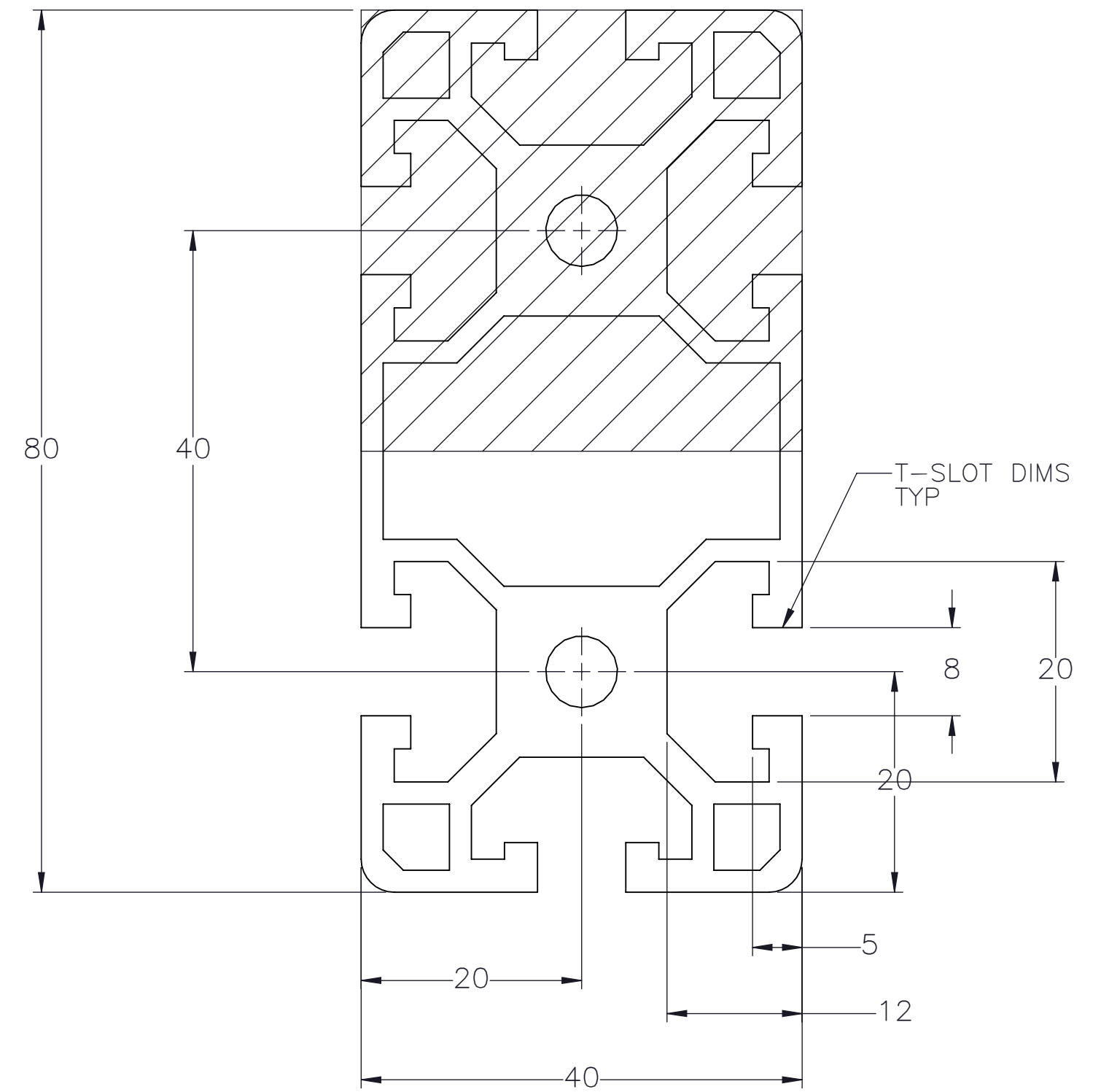
SPECIFICATIONS ARE SUBJECT TO CHANGE WITHOUT NOTICE

 <b>MACRON DYNAMICS INC</b>	<small>DRAWN BY:</small> PHW <small>DATE:</small> 11/26/2017 <small>MATERIAL:</small>	<small>TITLE:</small> <b>MACRON ACCESS R6S</b>
	<small>CHECKED BY:</small> -- <small>DATE:</small> DD/MM/YYYY	
	<small>LAST SAVED BY:</small> Tim <small>DATE:</small> 8/7/2023	
	<small>UNLESS OTHERWISE SPECIFIED, DIMENSIONS ARE IN INCHES. TOLERANCES UNLESS NOTED OTHERWISE:</small> .X ± .03 .XX ± .010 .XXX ± .005 ANG ± 0°30'	
<small>THIS DRAWING IS THE PROPERTY OF MACRON DYNAMICS. ANY REPRODUCTIONS SHALL BE FOR QUOTATION, MANUFACTURING, OR PURCHASING PURPOSES ONLY. RELEASE OF DRAWINGS TO OTHER CONCERNS DOES NOT CONSTITUTE LICENSING IN ANY WAY. INFORMATION CONTAINED HEREIN IS PROPRIETARY AND CONFIDENTIAL.</small>	<small>SURFACE FINISH</small> ✓	<small>SCALE</small> 1:1 <small>SHEET SIZE</small> C
<small>BREAK ALL SHARP EDGES DIMENSIONAL LIMITS APPLY AFTER FINISHING</small> <small>THIRD ANGLE PROJECTION</small>	<small>SHEET</small> 1 OF 2 <small>PART NUMBER</small>	<small>REV</small> 00

# DOUBLE SHAFTED PULLEY



# ACTUATOR BODY MOUNTING FEATURES T-NUT SLOTS



MACRON DYNAMICS INC

DRAWN BY: PHW	DATE: 11/26/2017	MATERIAL:
CHECKED BY: --	DATE: DD/MM/YYYY	
LAST SAVED BY: Tim	DATE: 8/7/2023	FINISH:
UNLESS OTHERWISE SPECIFIED, DIMENSIONS ARE IN INCHES TOLERANCES UNLESS NOTED OTHERWISE:		
.X ± .03	.XX ± .010	
.XXX ± .005	ANG ± 0°30'	

TITLE: CAST PULLEY HOUSING ASSEMBLY, DOUBLE SHAFTED

THIS DRAWING IS THE PROPERTY OF MACRON DYNAMICS. ANY REPRODUCTIONS SHALL BE FOR QUOTATION, MANUFACTURING, OR PURCHASING PURPOSES ONLY. RELEASE OF DRAWINGS TO OTHER CONCERNS DOES NOT CONSTITUTE LICENSING IN ANY WAY. INFORMATION CONTAINED HEREIN IS PROPRIETARY AND CONFIDENTIAL.

SURFACE FINISH  $\sqrt{\text{V}}$   
BREAK ALL SHARP EDGES  
DIMENSIONAL LIMITS APPLY AFTER FINISHING  
THIRD ANGLE PROJECTION

SHEET	PART NUMBER	SCALE 1:1	SHEET SIZE C	REV
2 OF 2	MAA-R6S			00

SPECIFICATIONS ARE SUBJECT TO CHANGE WITHOUT NOTICE