

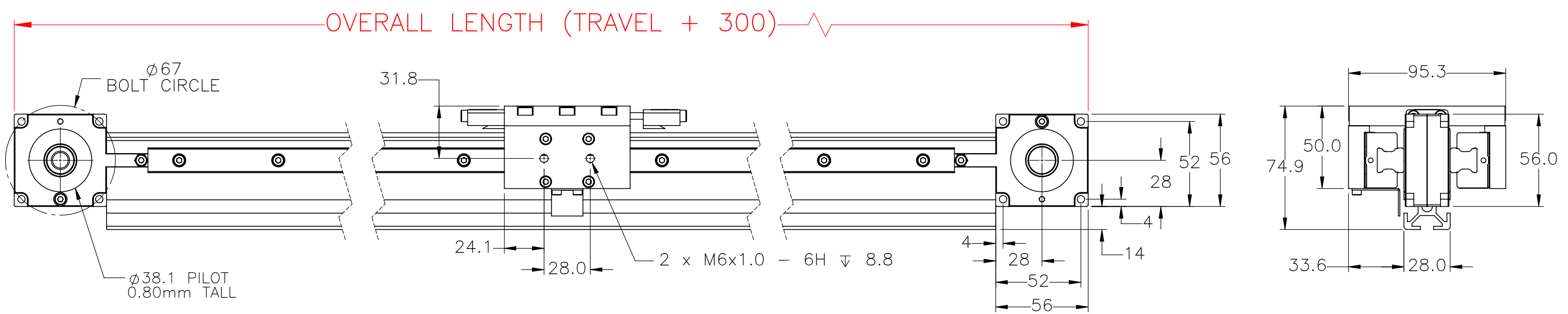
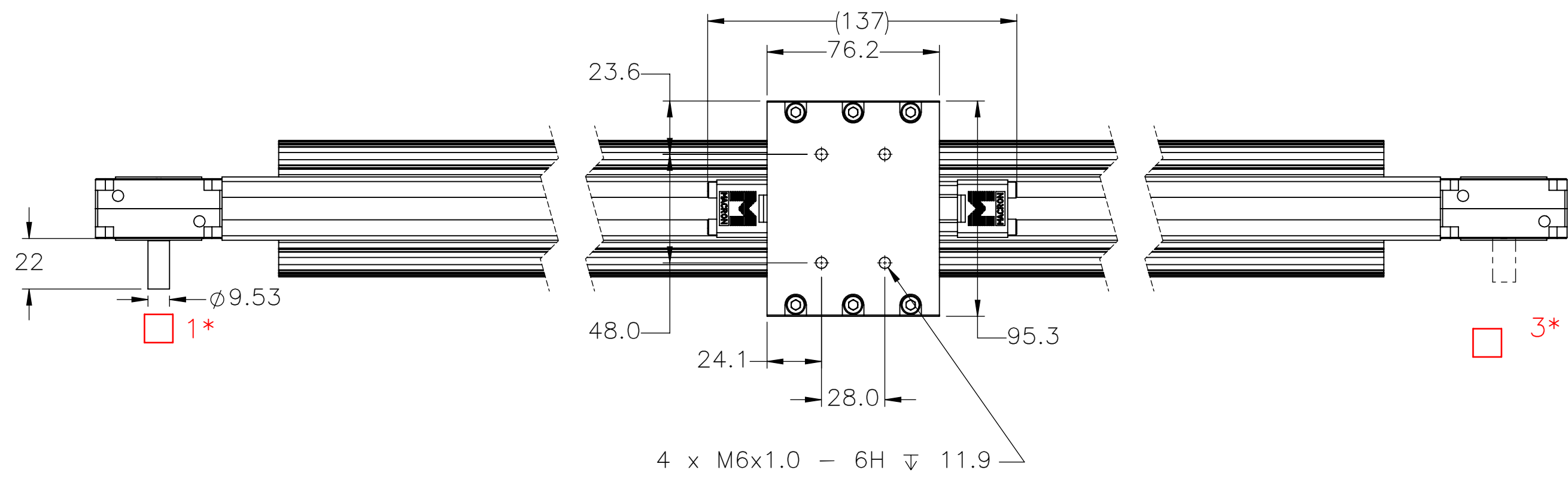
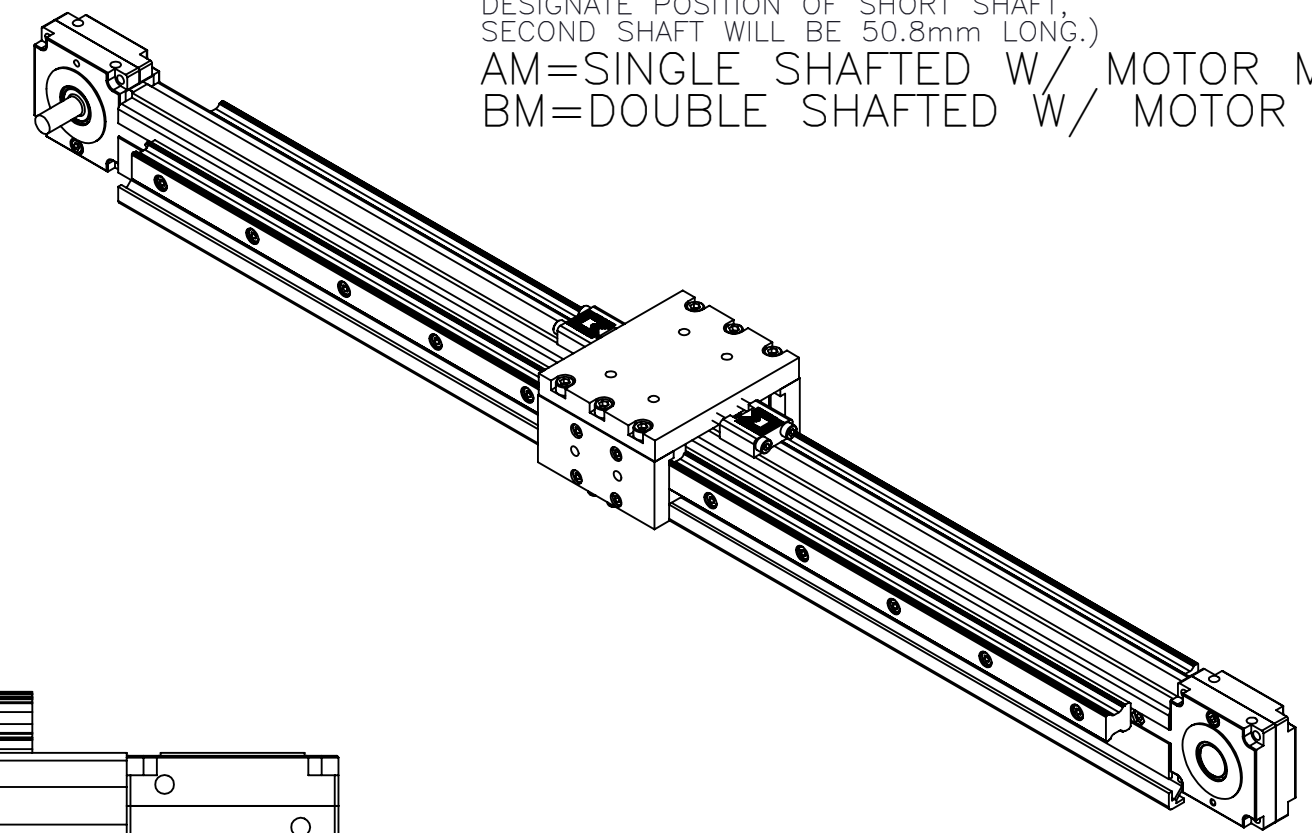
# MAA-R5D-B-AB- -

PULLEY PITCH DIAMETER	33.42mm (1.316")
PULLEY WIDTH	16.3mm (.640")
PULLEY MATERIAL	STEEL
BELT WEIGHT (kg)	$((\text{TRAVEL IN METERS} \times 2) + .69) \times .04$
TRAVEL PER REV.	105mm
TRAVEL MIN.	150mm
TRAVEL MAX.	3850mm
CART WEIGHT (kg)	.50kg
SYSTEM WEIGHT (kg)	$(\text{TRAVEL IN METERS} \times 4.6) + 2.3$

**ENTER**  
TRAVEL IN INCREMENTS OF 25mm

**SELECT**  
DRIVE SHAFT LOCATION

**SHAFTING TYPE**  
 A0= SINGLE SHAFTED  
 B0= DOUBLE SHAFTED  
 NOTE: (IF "B" IS USED THE NUMBER WILL DESIGNATE POSITION OF SHORT SHAFT, SECOND SHAFT WILL BE 50.8mm LONG.)  
 AM= SINGLE SHAFTED W/ MOTOR MOUNT  
 BM= DOUBLE SHAFTED W/ MOTOR MOUNT

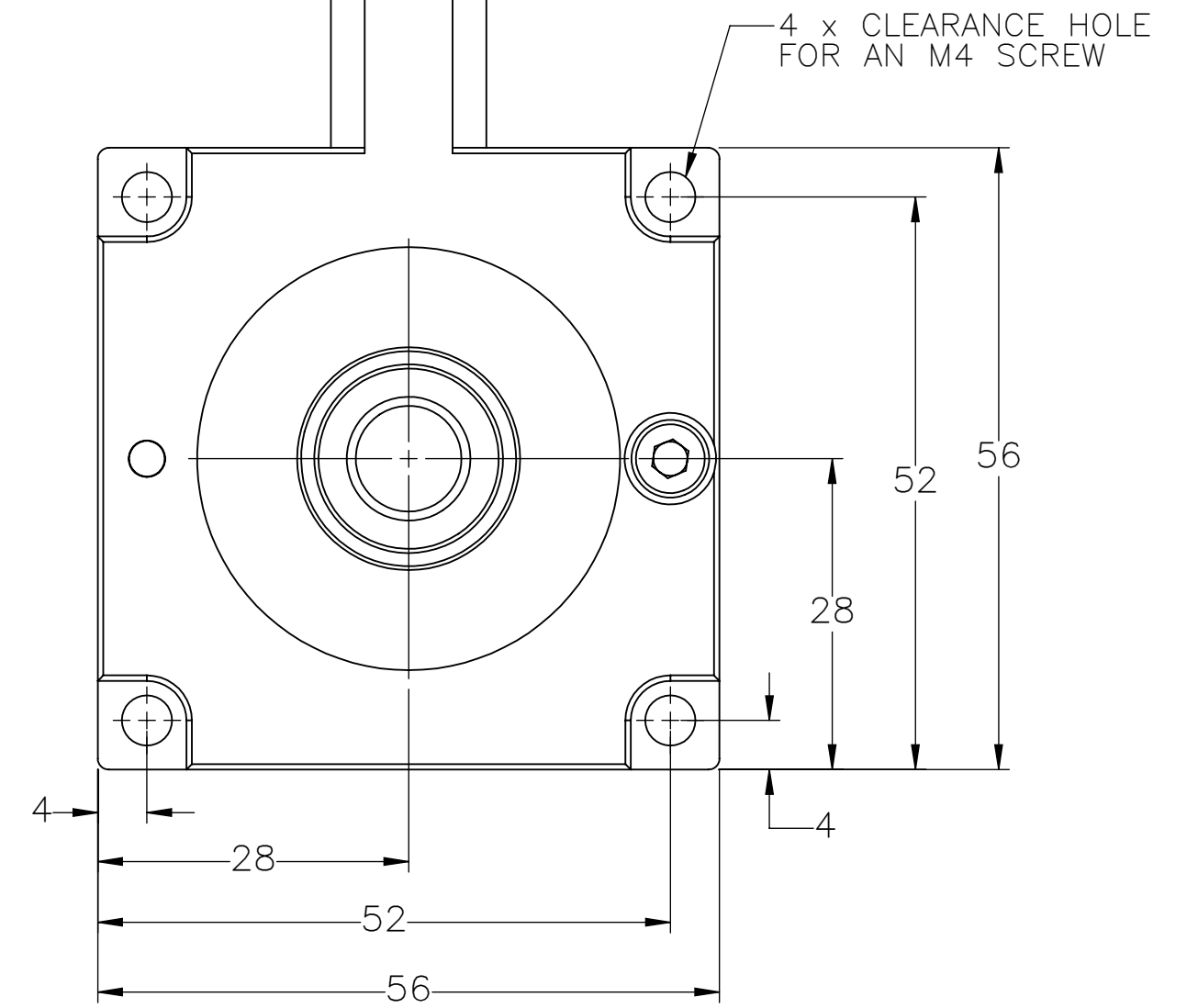
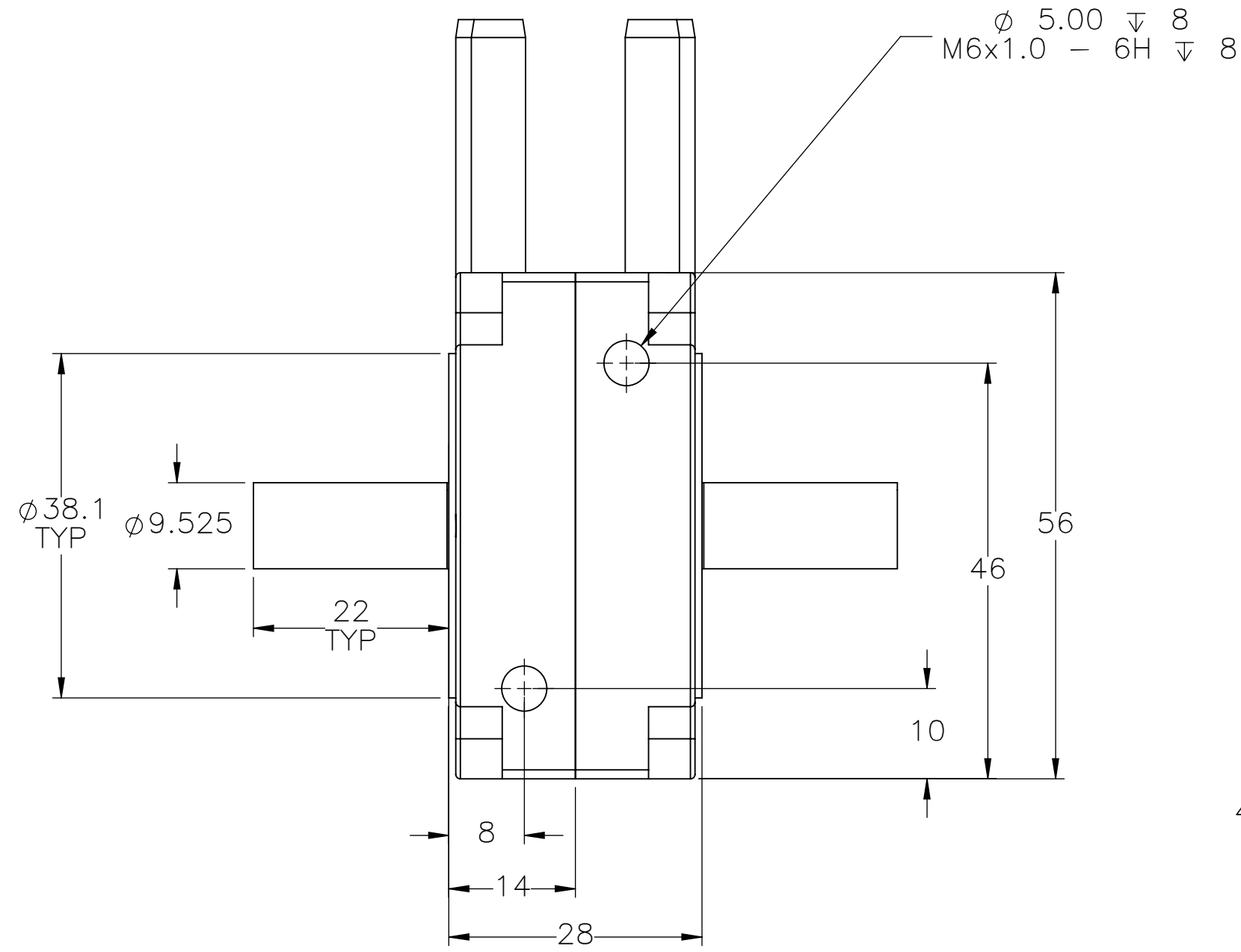
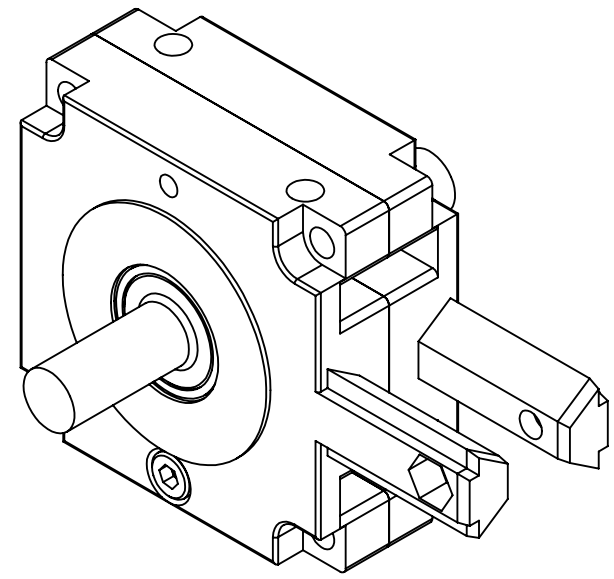


APPROVED: \_\_\_\_\_

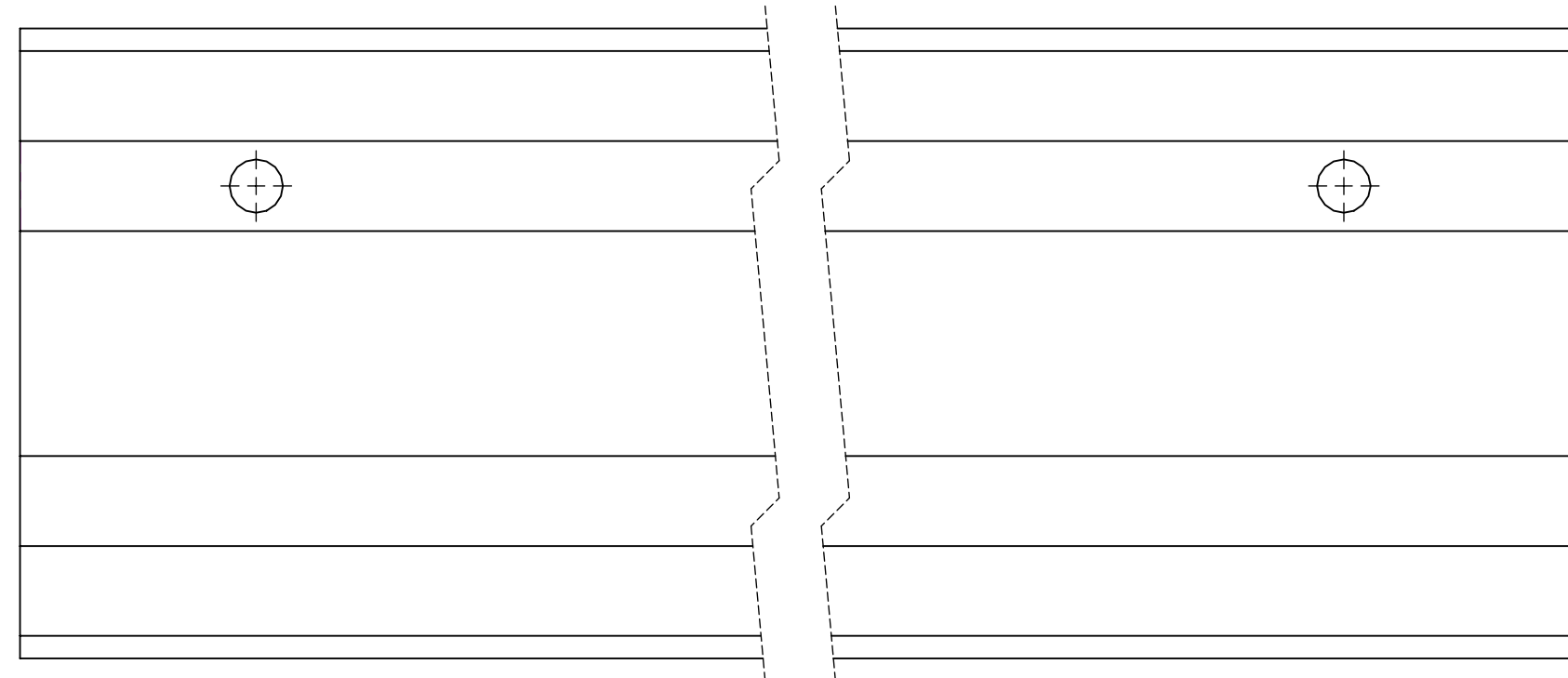
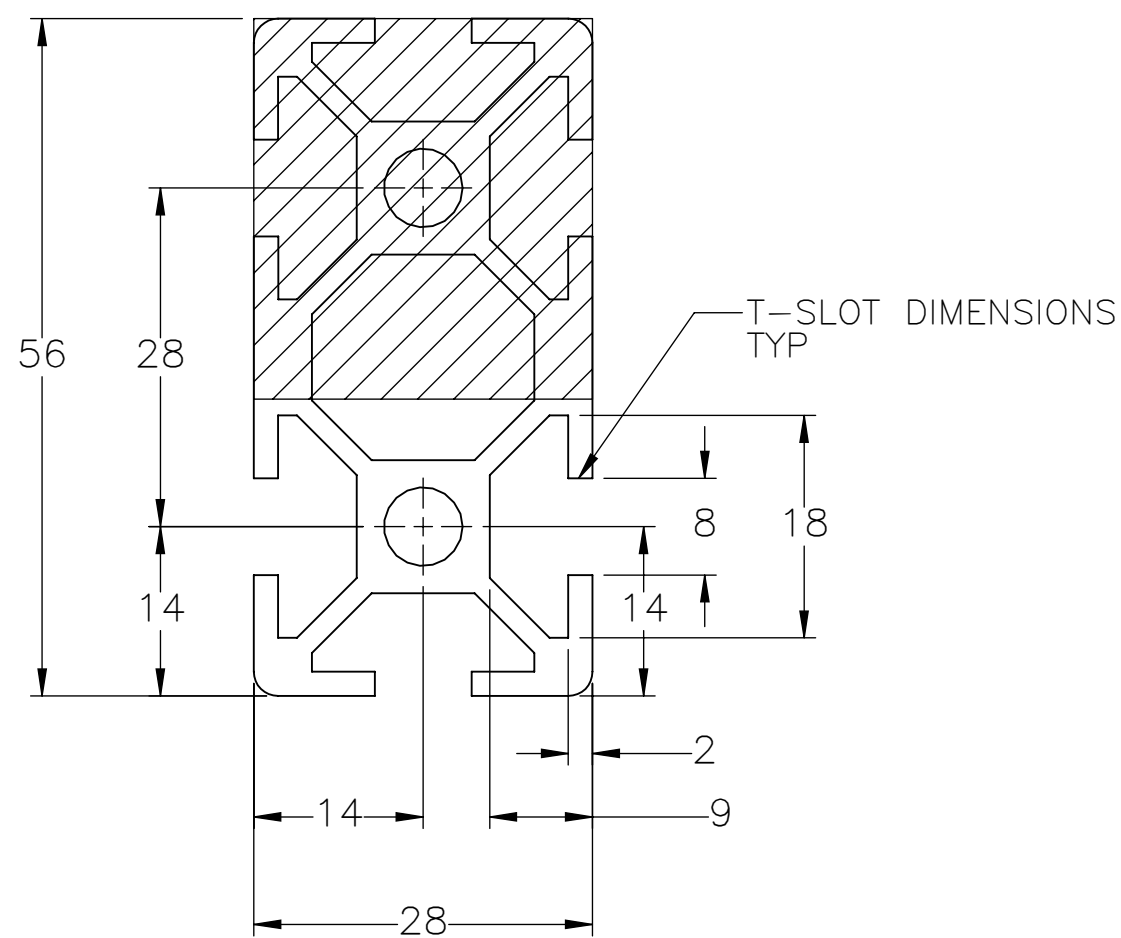
DATE: \_\_\_\_\_

 <b>MACRON DYNAMICS INC</b>	DRAWN BY: AW      DATE: 7/18/2023 CHECKED BY: --      DATE: DD/MM/YYYY LAST SAVED BY: Tim      DATE: 8/7/2023	MATERIAL:	TITLE: <b>MACRON ACCESS R5D</b>
	UNLESS OTHERWISE SPECIFIED, DIMENSIONS ARE IN MILLIMETERS. TOLERANCES UNLESS NOTED OTHERWISE: .X ± .762 .XX ± .254 .XXX ± .127 ANG ± 0°30'	FINISH:	
	SURFACE FINISH $\checkmark$ BREAK ALL SHARP EDGES DIMENSIONAL LIMITS APPLY AFTER FINISHING THIRD ANGLE PROJECTION	SCALE 1:1    SHEET SIZE C	
	SHEET 1 OF 2    PART NUMBER MAA-R5D-B-AB-A01	REV	

# DOUBLE SHAFTED PULLEY



# ACTUATOR BODY MOUNTING FEATURES T-NUT SLOTS



	DRAWN BY: AW CHECKED BY: -- LAST SAVED BY: Tim	DATE: 7/18/2023 DATE: DD/MM/YYYY DATE: 8/7/2023	MATERIAL:	TITLE:
	UNLESS OTHERWISE SPECIFIED, DIMENSIONS ARE IN MILLIMETERS. TOLERANCES UNLESS NOTED OTHERWISE:		FINISH:	MACRON ACCESS ACTUATOR
	SURFACE FINISH 63		SHEET 2 OF 2	PART NUMBER MAA-R15

THIS DRAWING IS THE PROPERTY OF MACRON DYNAMICS. ANY REPRODUCTIONS SHALL BE FOR QUOTATION, MANUFACTURING, OR PURCHASING PURPOSES ONLY. RELEASE OF DRAWINGS TO OTHER CONCERNS DOES NOT CONSTITUTE LICENSING IN ANY WAY. INFORMATION CONTAINED HEREIN IS PROPRIETARY AND CONFIDENTIAL.

BREAK ALL SHARP EDGES  
 DIMENSIONAL LIMITS APPLY AFTER FINISHING  
 THIRD ANGLE PROJECTION