

MSA-SB7-0-00--

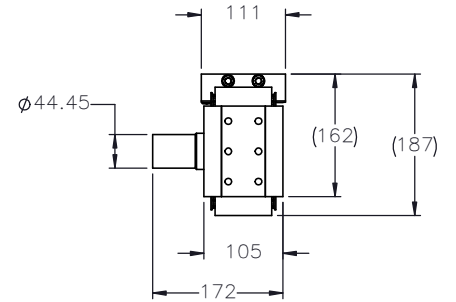
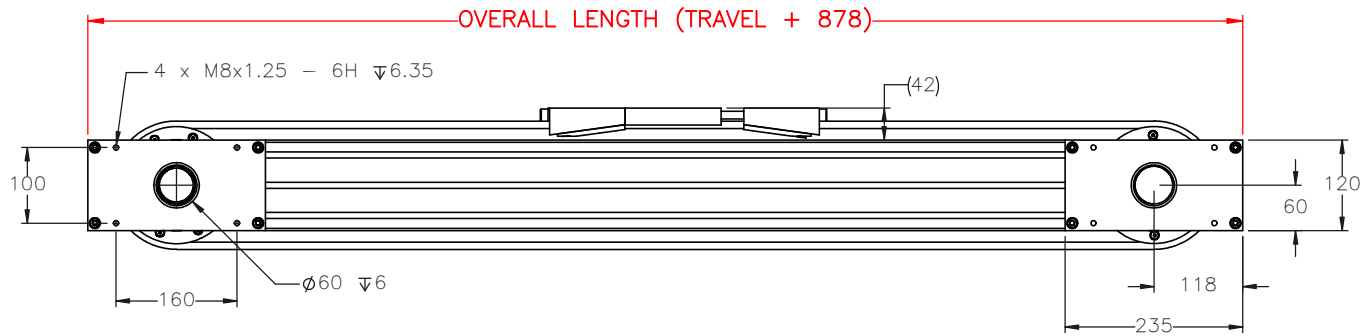
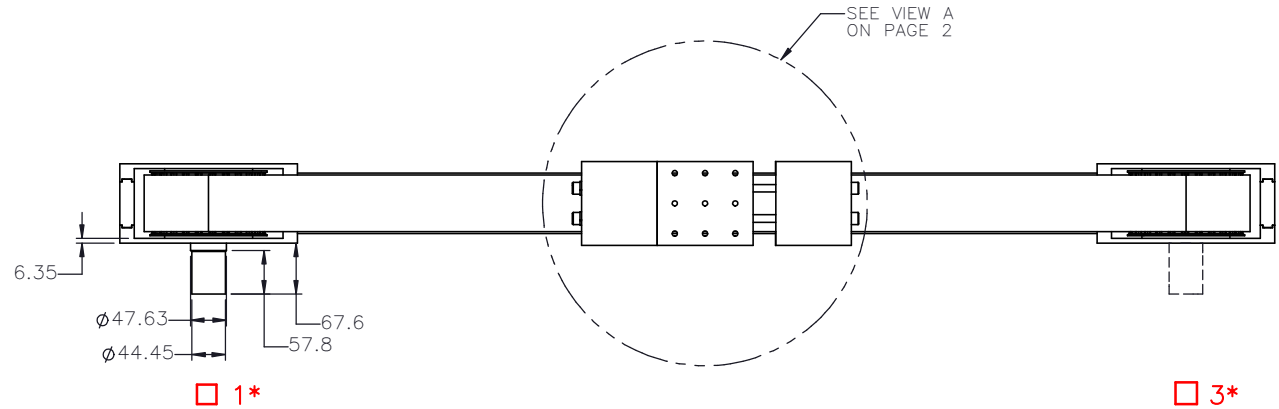
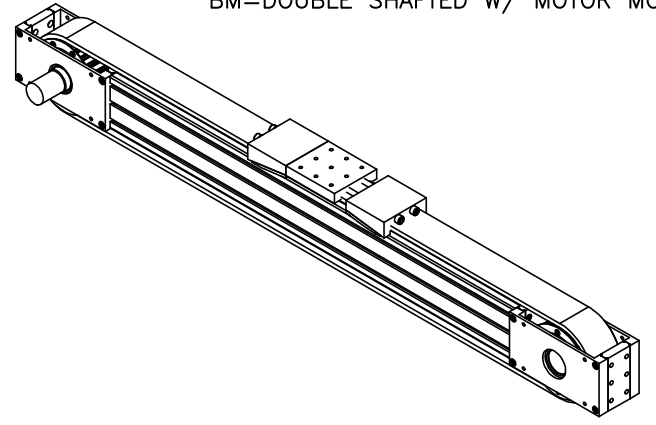
PULLEY PITCH DIAMETER	152.79mm (6.015")
PULLEY WIDTH	75mm (2.953")
PULLEY MATERIAL	STEEL
BELT WEIGHT (kg)	$((\text{TRAVEL IN METERS} \times 2) + 1.71) \times .81$
TRAVEL PER REV.	480mm
TRAVEL MIN.	150mm
TRAVEL MAX.	5500mm
TENSION ASSY WEIGHT (kg)	7.18kg
SYSTEM WEIGHT (kg)	$(\text{TRAVEL IN METERS} \times 10.4) + 39.9$

ENTER
TRAVEL IN INCREMENTS OF 25mm
TRAVEL LIMITS: 150mm-5500mm

SELECT
DRIVE SHAFT LOCATION*

SHAFTING TYPE
A0= SINGLE SHAFTED
B0= DOUBLE SHAFTED

NOTE: (IF "B" IS USED THE NUMBER WILL DESIGNATE POSITION OF MOUNTING FLANGE.)
AM= SINGLE SHAFTED W/ MOTOR MOUNT
BM= DOUBLE SHAFTED W/ MOTOR MOUNT

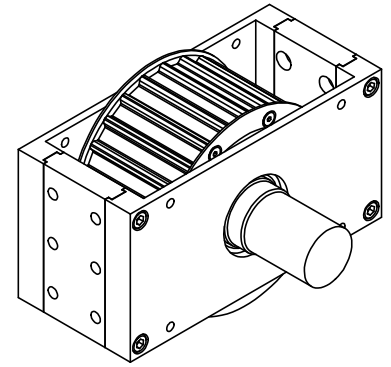
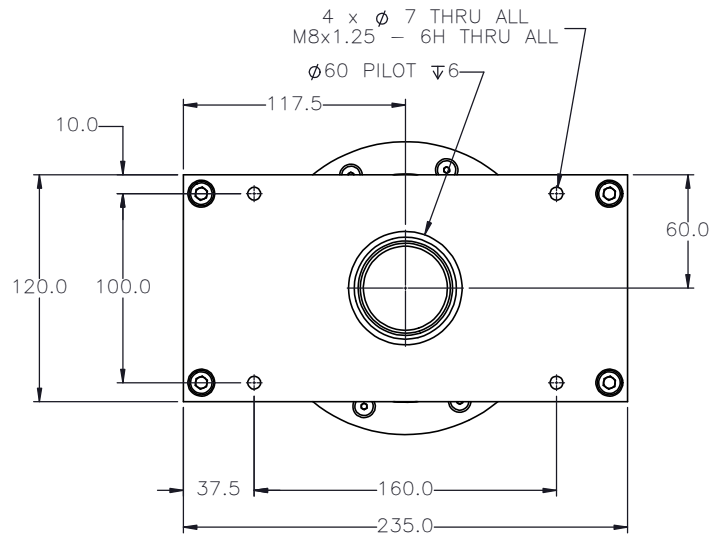
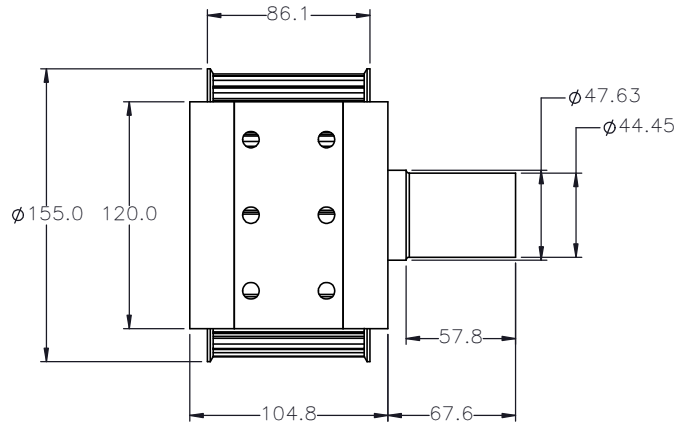


APPROVED: _____
DATE: _____

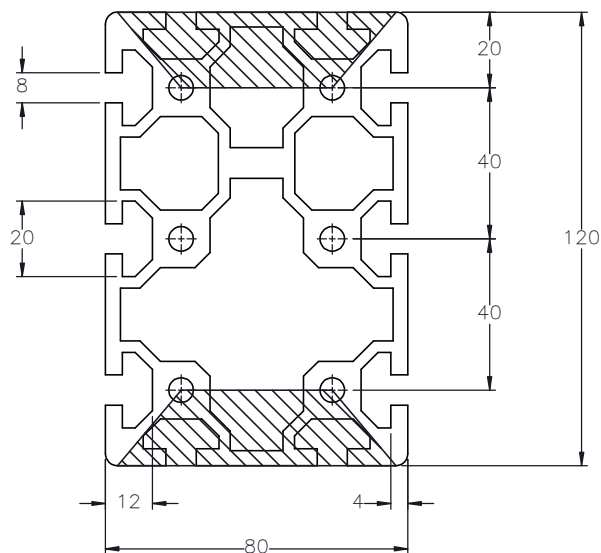
	DRAWN BY: PHW DATE: 11/26/2017 CHECKED BY: -- DATE: DD/MM/YYYY LAST SAVED BY: Tim DATE: 8/13/2020	MATERIAL:	TITLE:	
	UNLESS OTHERWISE SPECIFIED: DIMENSIONS ARE IN MILLIMETERS- TOLERANCES UNLESS NOTED OTHERWISE: ANG ± 0°30'	FINISH:	MACRON SINGLE BELT DRIVE 7 ACTUATOR	
	SURFACE FINISH <input checked="" type="checkbox"/>	SHEET	SCALE 1:1	SHEET SIZE C
	BREAK ALL SHARP EDGES DIMENSIONAL LIMITS APPLY AFTER FINISHING THIRD ANGLE PROJECTION	PART NUMBER 1 OF 2	SHEET SIZE MSA-SB7	REV

SPECIFICATIONS ARE SUBJECT TO CHANGE WITHOUT NOTICE

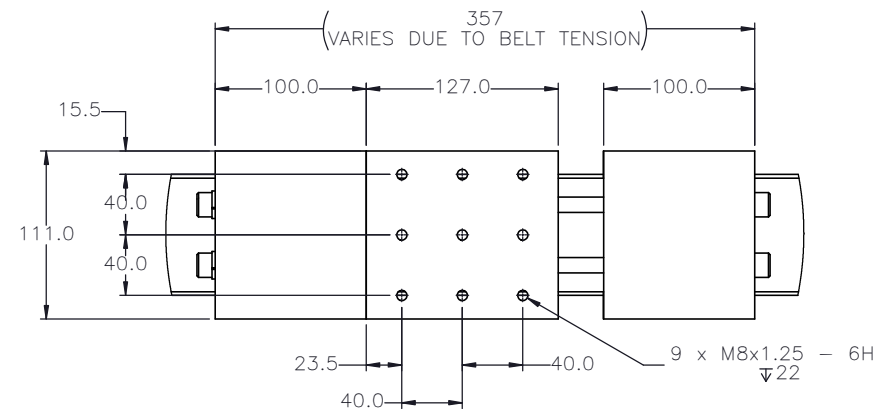
SHAFTED PULLEY ASSEMBLY



ACTUATOR BODY MOUNTING FEATURES T-NUT SLOTS



DETAILED CART VIEW A



MACRON DYNAMICS INC

DRAWN BY: PHW DATE: 11/26/2017
 CHECKED BY: -- DATE: DD/MM/YYYY
 LAST SAVED BY: Tim DATE: 8/13/2020
 UNLESS OTHERWISE SPECIFIED:
 DIMENSIONS ARE IN MILLIMETERS
 TOLERANCES UNLESS NOTED:
 .XX \pm .254
 .XXX \pm .127
 OTHERWISE: ANG \pm D*30'

MATERIAL:
 FINISH:
 SHEET PART NUMBER

TITLE:
 MACRON SINGLE BELT DRIVE 7 ACTUATOR

SURFACE FINISH \checkmark
 BREAK ALL SHARP EDGES
 DIMENSIONAL LIMITS APPLY AFTER FINISHING
 THIRD ANGLE PROJECTION

SHEET 2 OF 2

SCALE 1:1 SHEET SIZE C
 MSA-SB7