

MSA-SB2-E-BC- -

PULLEY PITCH DIAMETER	47.75mm (1.880")
PULLEY WIDTH	28.9mm (1.138")
PULLEY MATERIAL	STEEL
BELT WEIGHT (kg)	$((\text{TRAVEL IN METERS} \times 2) + .61) \times .12$
TRAVEL PER REV.	150mm
TRAVEL MIN.	150mm
TRAVEL MAX.	5825mm
TENSION ASSY WEIGHT (kg)	0.34kg
SYSTEM WEIGHT (kg)	$(\text{TRAVEL IN METERS} \times 3.3) + 2.8$

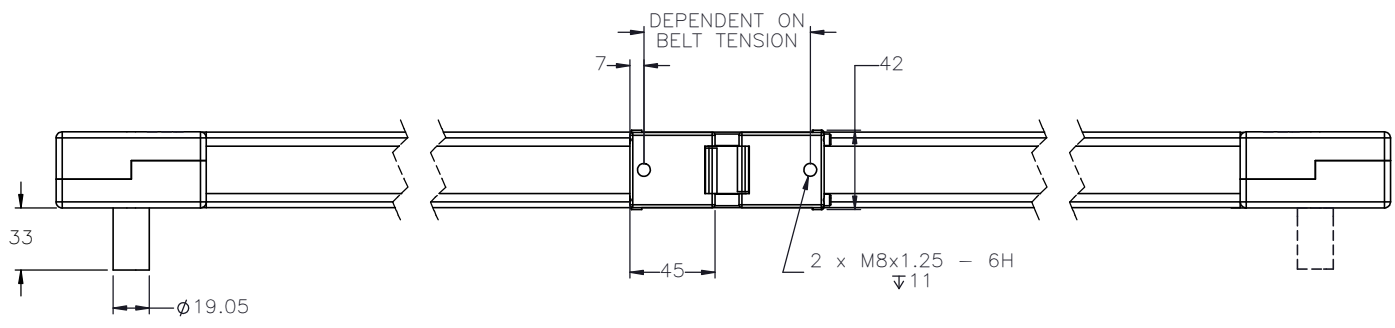
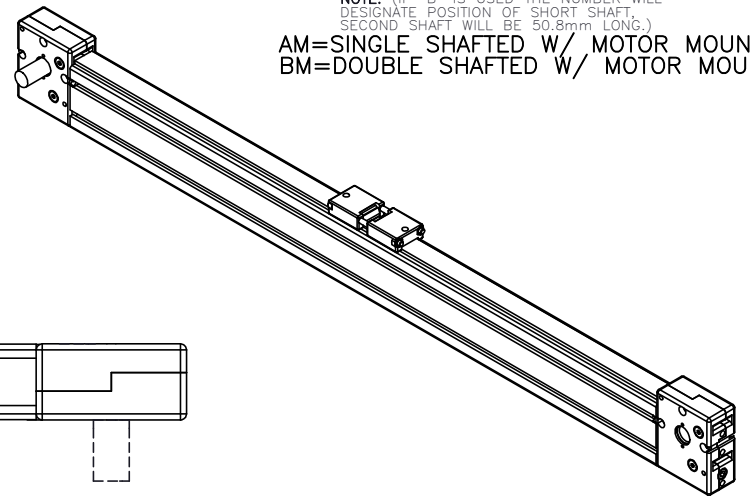
ENTER
TRAVEL IN INCREMENTS OF 25mm

SELECT
DRIVE SHAFT LOCATION*

SHAFTING TYPE
A0= SINGLE SHAFTED
B0= DOUBLE SHAFTED

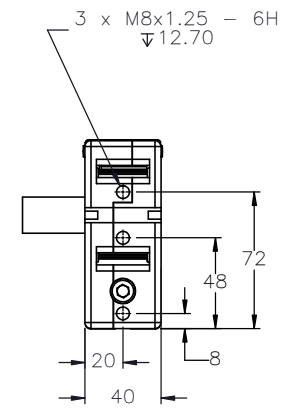
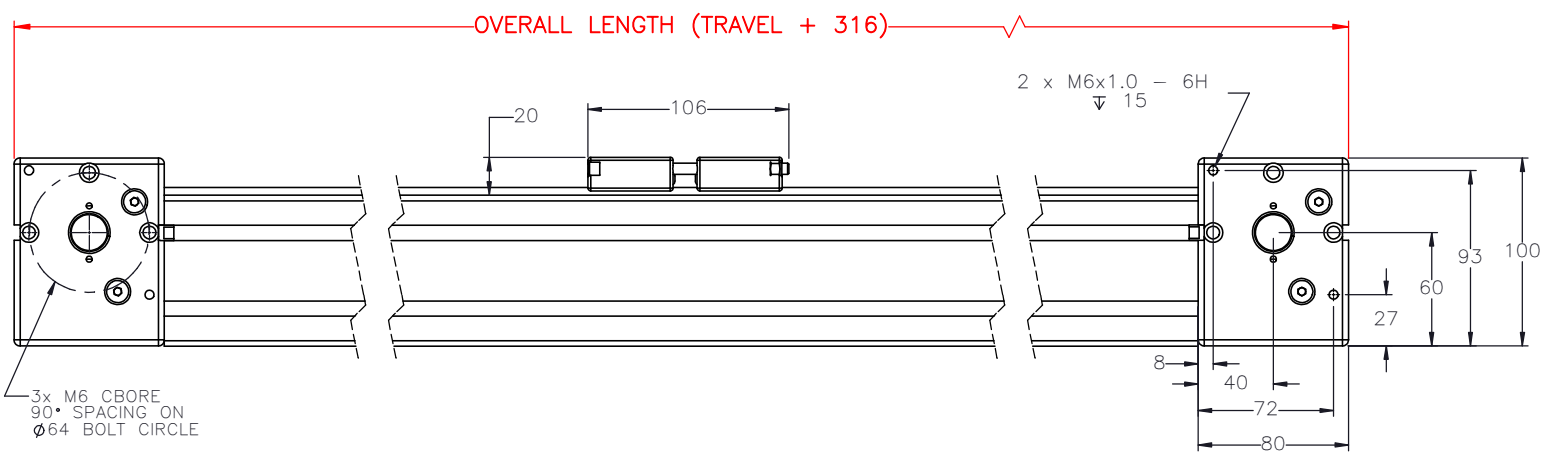
NOTE: (IF "B" IS USED THE NUMBER WILL DESIGNATE POSITION OF SHORT SHAFT. SECOND SHAFT WILL BE 50.8mm LONG.)

AM= SINGLE SHAFTED W/ MOTOR MOUNT
BM= DOUBLE SHAFTED W/ MOTOR MOUNT



1*

3*



APPROVED: _____

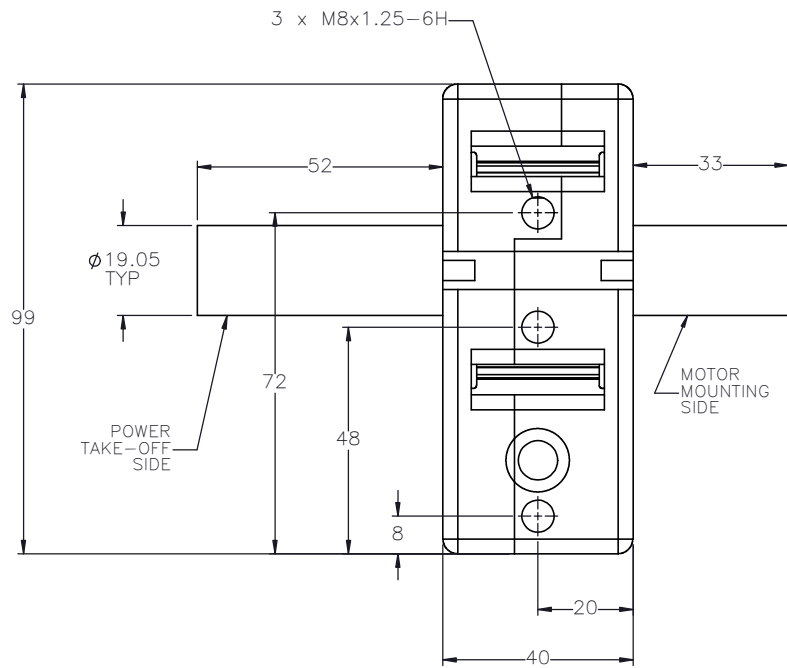
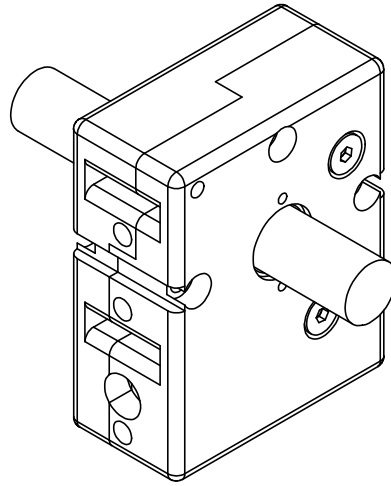
DATE: _____

	DRAWN BY: PHW DATE: 11/26/2017 CHECKED BY: -- DATE: DD/MM/YYYY LAST SAVED BY: Tim DATE: 8/6/2020	MATERIAL:	TITLE:
	UNLESS OTHERWISE SPECIFIED: DIMENSIONS ARE IN MILLIMETER TOLERANCES UNLESS NOTED: OTHERWIS:	FINISH:	MACRON SINGLE BELT DRIVE 25
	SURFACE FINISH: <input checked="" type="checkbox"/> THIRD ANGLE PROJECTION	SHEET: 1 OF 2 PART NUMBER: MSA-SB2	SCALE: 1:1 SHEET SIZE: C

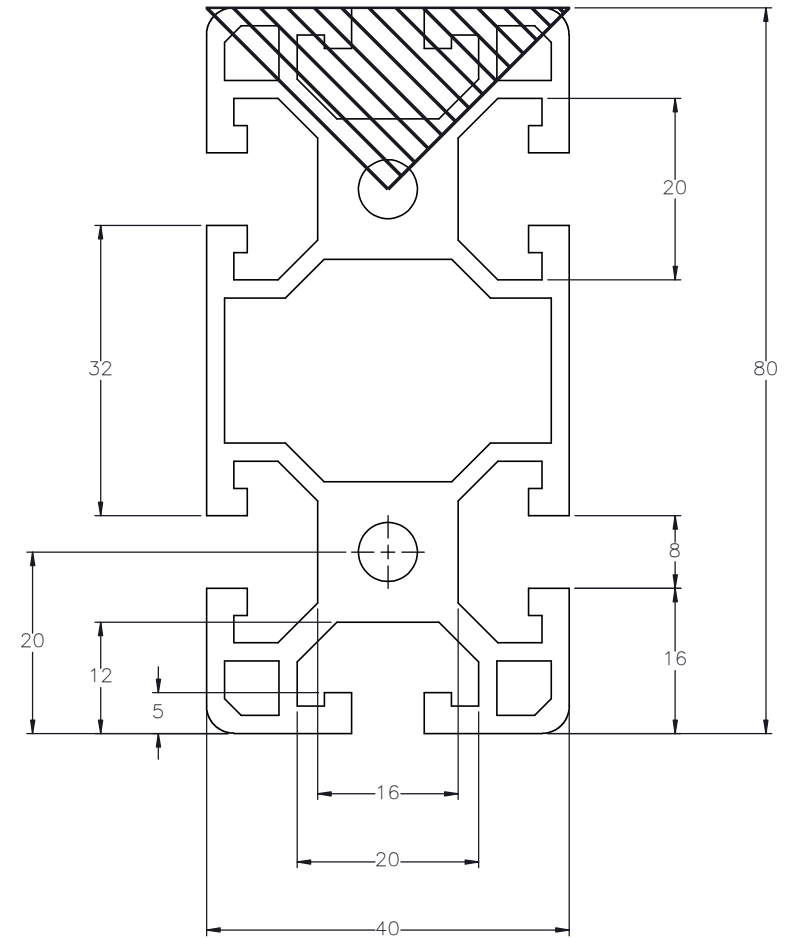
THIS DRAWING IS THE PROPERTY OF MACRON DYNAMICS. ANY REPRODUCTIONS SHALL BE FOR QUOTATION, MANUFACTURING OR PURCHASING PURPOSES ONLY. RELEASE OF DRAWINGS TO OTHER CONCERNS DOES NOT CONSTITUTE LICENSING IN ANY WAY. INFORMATION CONTAINED HEREIN IS PROPRIETARY AND CONFIDENTIAL.

SPECIFICATIONS ARE SUBJECT TO CHANGE WITHOUT NOTICE

DOUBLE SHAFTED PULLEY



CUSTOMER ACCESSIBLE MOUNTING FEATURES, T-NUT SLOTS



MACRON DYNAMICS INC

DRAWN BY: PHW	DATE: 11/26/2017
CHECKED BY: --	DATE: DD/MM/YYYY
LAST SAVED BY: Tim	DATE: 8/6/2020
UNLESS OTHERWISE SPECIFIED: DIMENSIONS ARE IN MILLIMETER TOLERANCES UNLESS NOTED OTHERWISE: .X ± .762 .XX ± .254 .XXX ± .127 ANG ± 0°30'	

MATERIAL:
FINISH:

TITLE: MACRON SINGLE BELT DRIVE 25	
SCALE 1:1	SHEET SIZE C

THIS DRAWING IS THE PROPERTY OF MACRON DYNAMICS. ANY REPRODUCTIONS SHALL BE FOR QUOTATION, MANUFACTURING OR PURCHASING PURPOSES ONLY. RELEASE OF DRAWINGS TO OTHER CONCERNS DOES NOT CONSTITUTE LICENSING IN ANY WAY. INFORMATION CONTAINED HEREIN IS PROPRIETARY AND CONFIDENTIAL.

SURFACE FINISH
BREAK ALL SHARP EDGES
DIMENSIONAL LIMITS APPLY AFTER FINISHING
THIRD ANGLE PROJECTION

SHEET 2 OF 2

PART NUMBER MSA-SB2
REV C

SPECIFICATIONS ARE SUBJECT TO CHANGE WITHOUT NOTICE