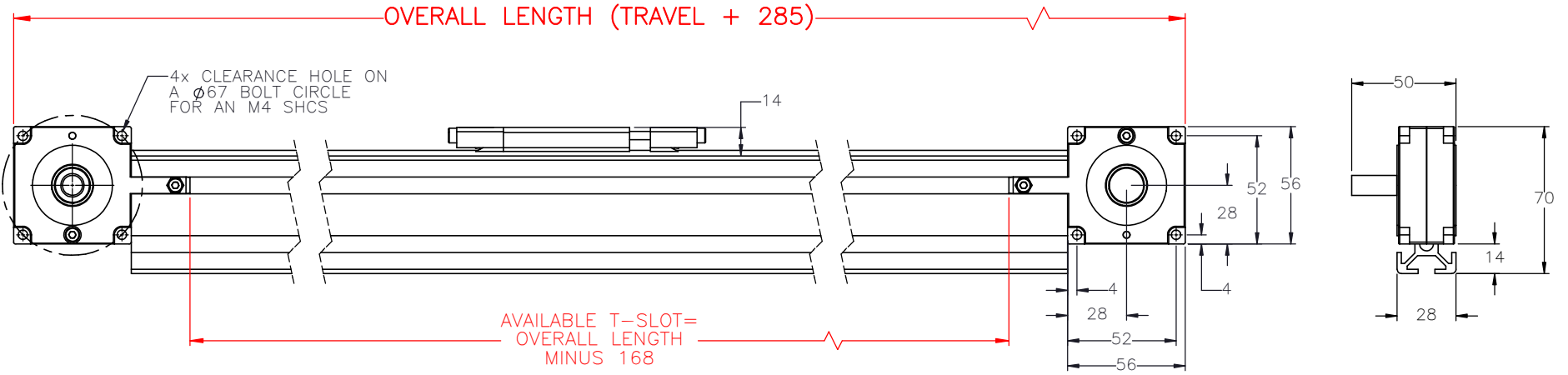
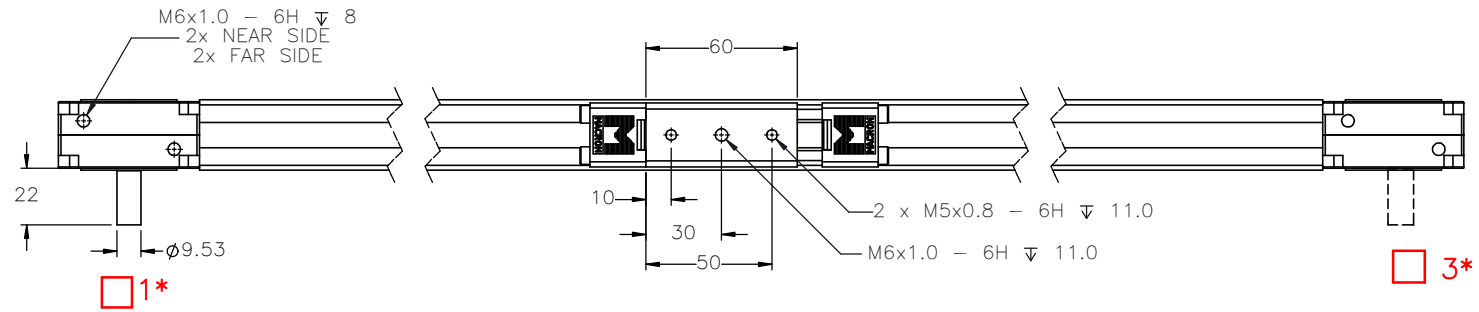
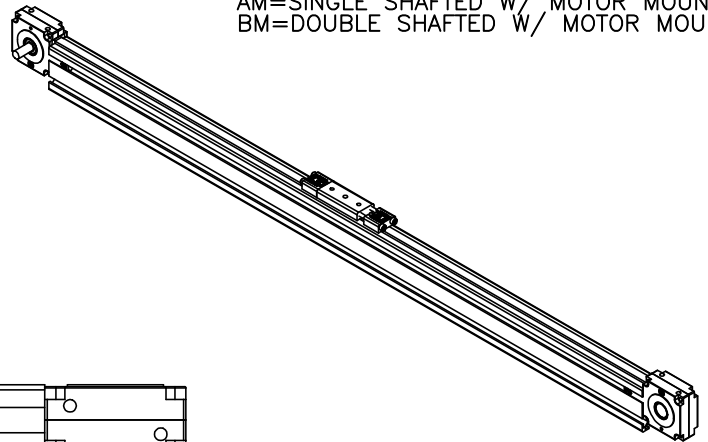


MSA-SB1-B-GB---

PULLEY PITCH DIAMETER	33.42mm (1.316")
PULLEY WIDTH	16.3mm (.640")
PULLEY MATERIAL	STEEL
BELT WEIGHT (kg)	((TRAVEL IN METERS x 2)+.51) x .04
TRAVEL PER REV.	105mm
TRAVEL MIN.	150mm
TRAVEL MAX.	5825mm
TENSION ASSY WEIGHT (kg)	0.08kg
SYSTEM WEIGHT (kg)	(TRAVEL IN METERS x 1.5) + 1.3

ENTER TRAVEL IN INCREMENTS OF 25mm
 SELECT DRIVE SHAFT LOCATION*
 SHAFTHING TYPE
 A0= SINGLE SHAFTE
 B0= DOUBLE SHAFTE
 AM= SINGLE SHAFTE W/ MOTOR MOUNT
 BM= DOUBLE SHAFTE W/ MOTOR MOUNT



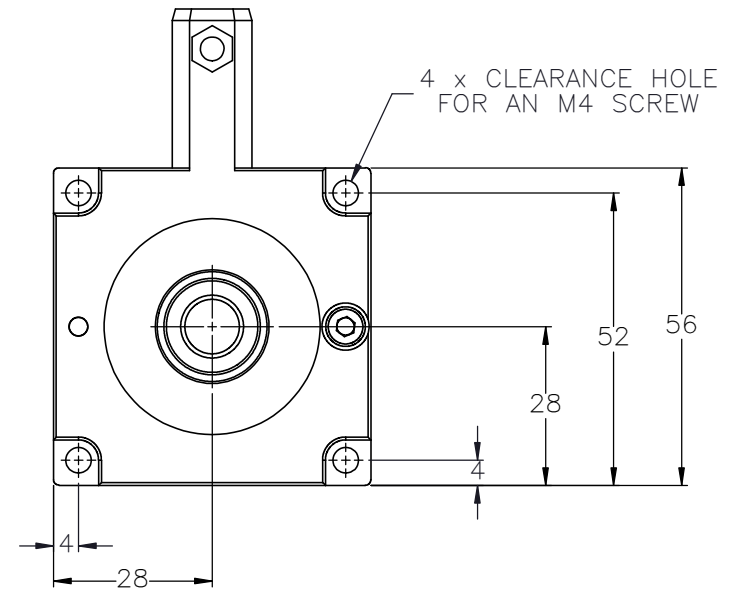
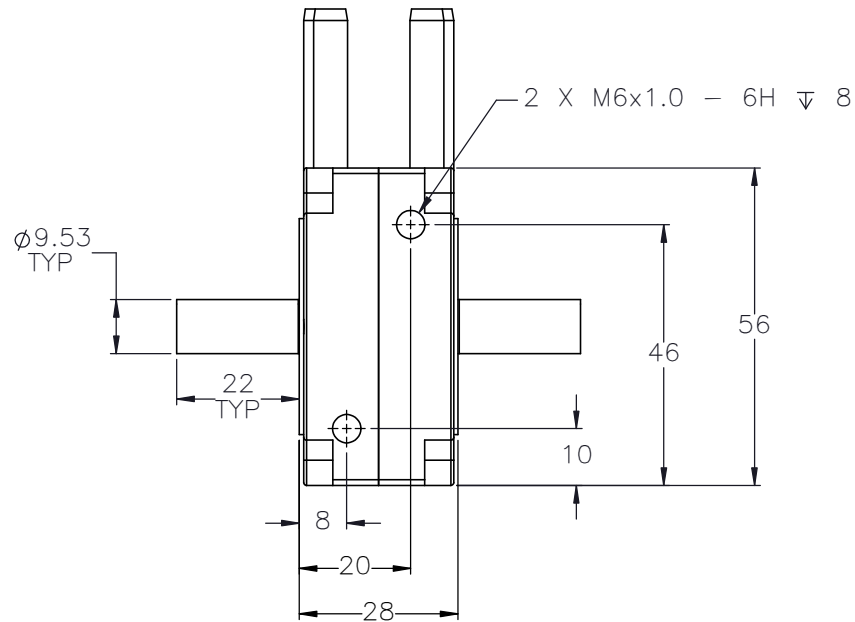
APPROVED: _____

DATE: _____

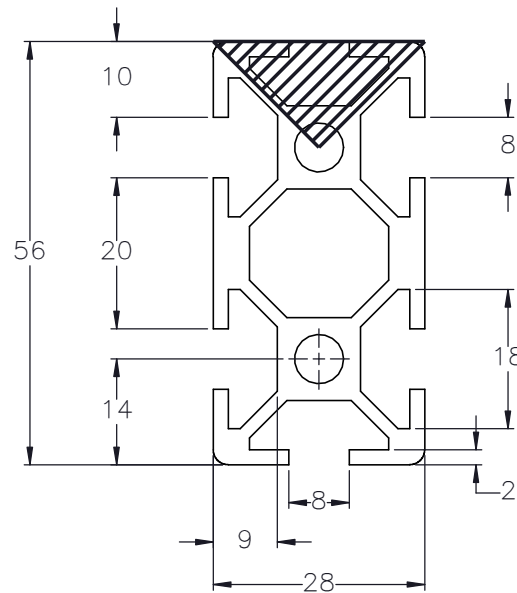
 MACRON DYNAMICS INC	DRAWN BY: PHW DATE: 11/26/2017	MATERIAL:	TITLE: MACRON SINGLE BELT DRIVE 12
	CHECKED BY: -- DATE: DD/MM/YYYY	FINISH:	
	LAST SAVED BY: Tim DATE: 8/6/2020	SCALE: 1:1 SHEET SIZE: C	
	UNLESS OTHERWISE SPECIFIED: DIMENSIONS ARE IN MILLIMETERS TOLERANCES UNLESS NOTED: .XX ± .254 .XXX ± .127 ANG ± 0°30'	SHEET: 1 OF 2 PART NUMBER: MSA-SB1	
THIS DRAWING IS THE PROPERTY OF MACRON DYNAMICS ANY REPRODUCTIONS SHALL BE FOR QUOTATION, MANUFACTURING OR PURCHASING PURPOSES ONLY. RELEASE OF DRAWINGS TO OTHER CONCERNS DOES NOT CONSTITUTE LICENSING IN ANY WAY. INFORMATION CONTAINED HEREIN IS PROPRIETARY AND CONFIDENTIAL.	SURFACE FINISH: <input checked="" type="checkbox"/> THIRD ANGLE PROJECTION	BREAK ALL SHARP EDGES DIMENSIONAL LIMITS APPLY AFTER FINISHING	


SPECIFICATIONS ARE SUBJECT TO CHANGE WITHOUT NOTICE

DOUBLE SHAFTED PULLEY



ACTUATOR BODY T-SLOT MOUNTING FEATURES



 MACRON DYNAMICS INC	DRAWN BY: PHW DATE: 11/26/2017	MATERIAL:	TITLE: MACRON SINGLE BELT DRIVE 12	
	CHECKED BY: -- DATE: DD/MM/YYYY	FINISH:		
	LAST SAVED BY: Tim DATE: 8/6/2020	UNLESS OTHERWISE SPECIFIED: DIMENSIONS ARE IN MILLIMETER TOLERANCES UNLESS NOTED OTHERWISE: .X \pm .762 .XX \pm .254 .XXX \pm .127 ANG \pm 0°30'	SCALE: 1:1	SHEET SIZE: C
	SURFACE FINISH <input checked="" type="checkbox"/> BREAK ALL SHARP EDGES DIMENSIONAL LIMITS APPLY AFTER FINISHING THIRD ANGLE PROJECTION	SHEET: 2 OF 2 PART NUMBER: MSA-SB1	REV	

SPECIFICATIONS ARE SUBJECT TO CHANGE WITHOUT NOTICE