

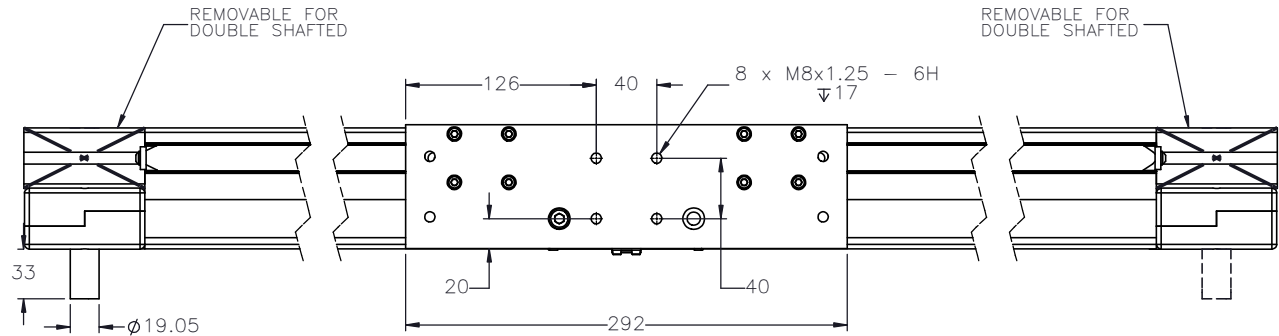
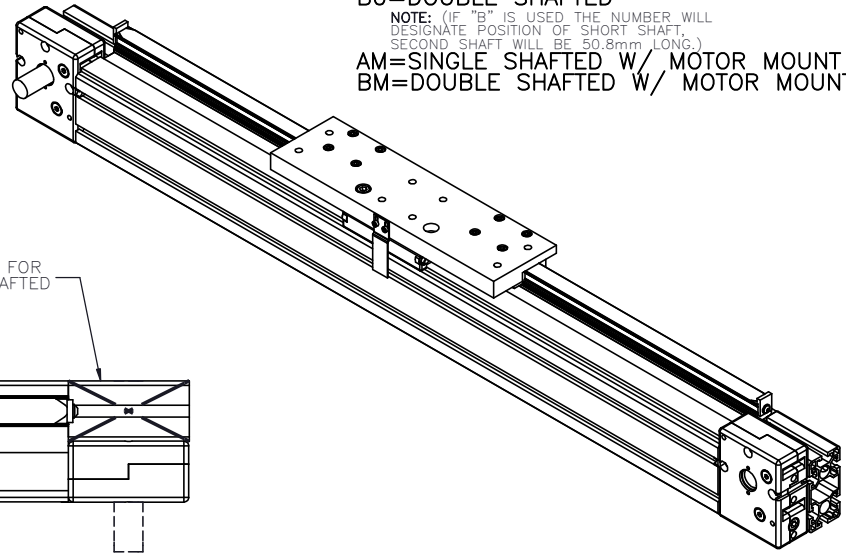
MSA-R20-G-BC- -

PULLEY PITCH DIAMETER	47.75mm (1.880")
PULLEY WIDTH	28.9mm (1.138")
PULLEY MATERIAL	STEEL
BELT WEIGHT (kg)	((TRAVEL IN METERS x 2)+.99) x .12
TRAVEL PER REV.	150mm
TRAVEL MIN.	150mm
TRAVEL MAX.	5650mm
CART WEIGHT (kg)	1.81kg
SYSTEM WEIGHT (kg)	(TRAVEL IN METERS x 7.8) + 7.4

ENTER
TRAVEL IN INCREMENTS OF 25mm
SELECT
DRIVE SHAFT LOCATION*

SHAFTING TYPE
A0= SINGLE SHAFTED
B0= DOUBLE SHAFTED

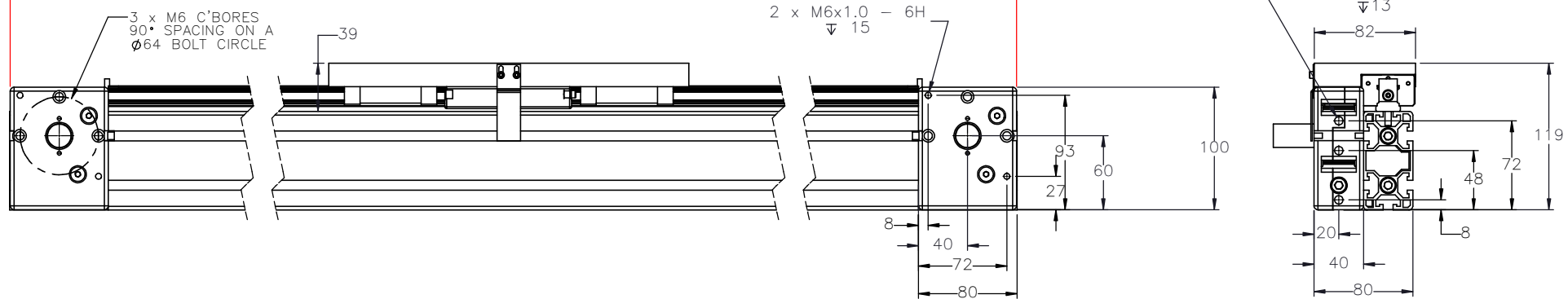
NOTE: (IF "B" IS USED THE NUMBER WILL DESIGNATE POSITION OF SHORT SHAFT. SECOND SHAFT WILL BE 50.8mm LONG.)
AM= SINGLE SHAFTED W/ MOTOR MOUNT
BM= DOUBLE SHAFTED W/ MOTOR MOUNT



□ 1*

□ 3*

OVERALL LENGTH (TRAVEL + 504)



APPROVED: _____

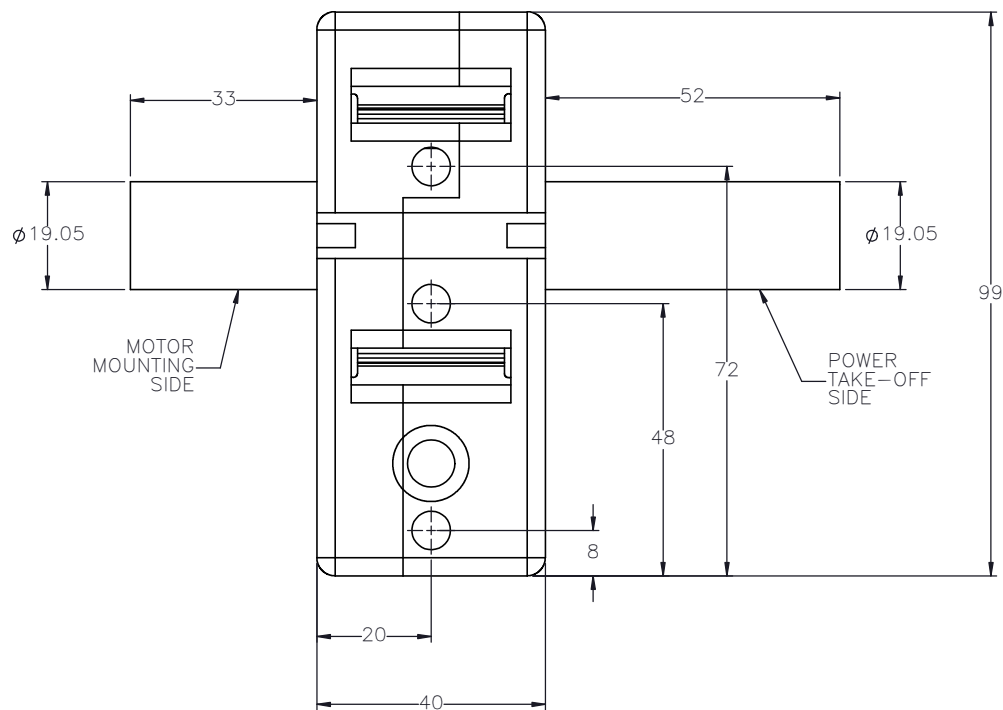
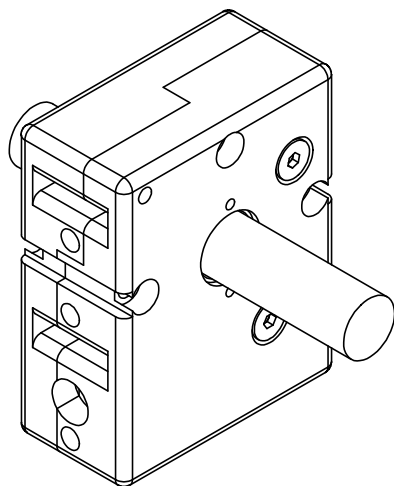
DATE: _____

 MACRON DYNAMICS INC	DRAWN BY: PHW DATE: 11/26/2017	MATERIAL:	TITLE: MACRON RAIL ACTUATOR	
	CHECKED BY: -- DATE: DD/MM/YYYY	FINISH:		
	LAST SAVED BY: Tim DATE: 8/6/2020	UNLESS OTHERWISE SPECIFIED: DIMENSIONS ARE IN INCHES: TOLERANCES UNLESS NOTED: OTHERWISE:		SCALE: 1:1 SHEET SIZE: C
	SURFACE FINISH: <input checked="" type="checkbox"/> THIRD ANGLE PROJECTION	SHEET: 1 OF 2 PART NUMBER: MSA-R20		REV: 00

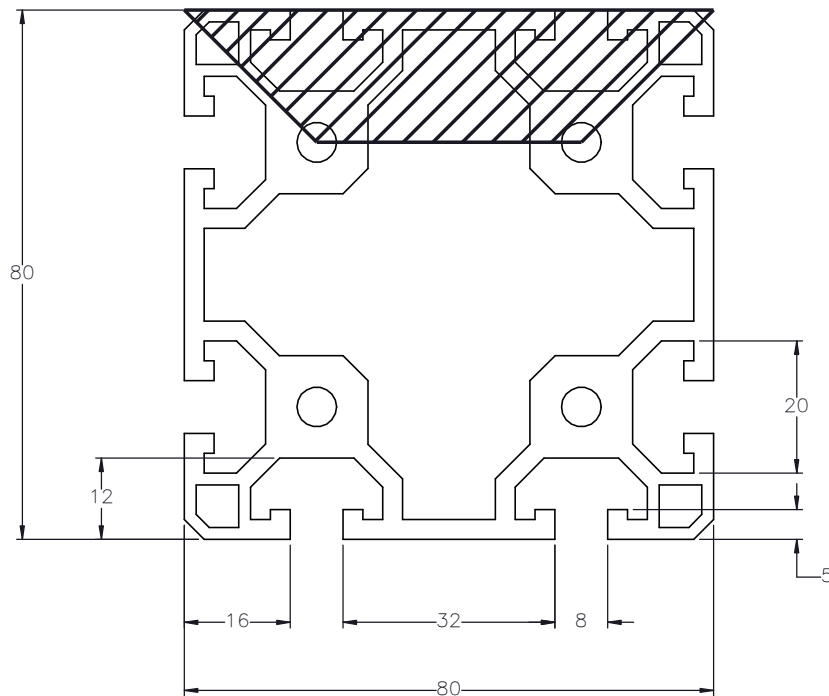
THIS DRAWING IS THE PROPERTY OF MACRON DYNAMICS. ANY REPRODUCTIONS SHALL BE FOR QUOTATION, MANUFACTURING, OR PURCHASING PURPOSES ONLY. RELEASE OF DRAWINGS TO OTHER CONCERNS DOES NOT CONSTITUTE LICENSING IN ANY WAY. INFORMATION CONTAINED HEREIN IS PROPRIETARY AND CONFIDENTIAL.


SPECIFICATIONS ARE SUBJECT TO CHANGE WITHOUT NOTICE

DOUBLE SHAFTED PULLEY



ACTUATOR BODY MOUNTING FEATURES T-NUT SLOTS



 <p>MACRON DYNAMICS INC</p>	DRAWN BY: PHW CHECKED BY: -- LAST SAVED BY: Tim	DATE: 11/26/2017 DATE: DD/MM/YYYY DATE: 8/6/2020	MATERIAL:	TITLE: MACRON RAIL ACTUATOR	
	UNLESS OTHERWISE SPECIFIED, DIMENSIONS ARE IN INCHES. TOLERANCES UNLESS NOTED OTHERWISE:		FINISH:	SCALE: 1:1 SHEET SIZE: C	
	SURFACE FINISH: <input checked="" type="checkbox"/>		BREAK ALL SHARP EDGES DIMENSIONAL LIMITS APPLY AFTER FINISHING THIRD ANGLE PROJECTION	SHEET: 2 OF 2 PART NUMBER: MSA-R20	REV: 00
	THIS DRAWING IS THE PROPERTY OF MACRON DYNAMICS. ANY REPRODUCTIONS SHALL BE FOR QUOTATION, MANUFACTURING OR PURCHASING PURPOSES ONLY. RELEASE OF DRAWINGS TO OTHER CONCERNS DOES NOT CONSTITUTE LICENSING IN ANY WAY. INFORMATION CONTAINED HEREIN IS PROPRIETARY AND CONFIDENTIAL.				

SPECIFICATIONS ARE SUBJECT TO CHANGE WITHOUT NOTICE