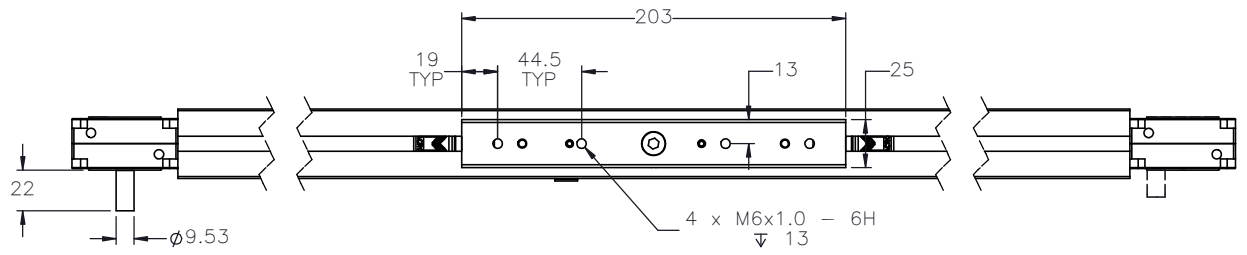
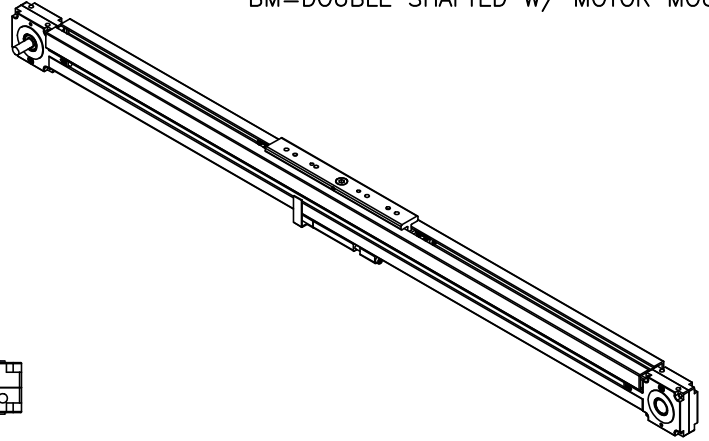


MSA-NBC-0-GB---

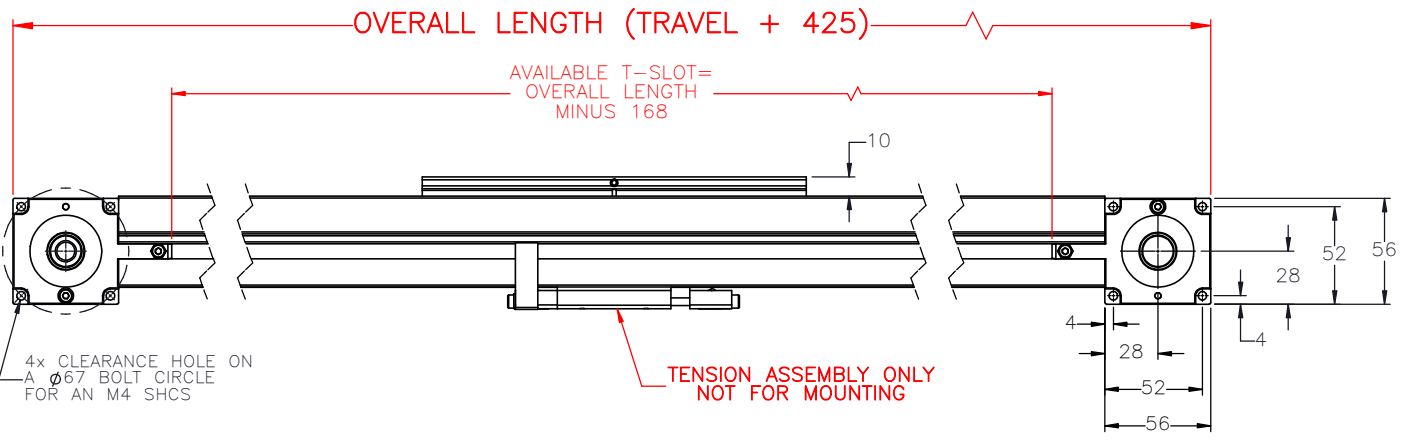
PULLEY PITCH DIAMETER	33.42mm (1.316")
PULLEY WIDTH	16.3mm (.640")
PULLEY MATERIAL	STEEL
BELT WEIGHT (kg)	((TRAVEL IN METERS x 2)+.58) x .04
TRAVEL PER REV.	105mm
TRAVEL MIN.	150mm
TRAVEL MAX.	5675mm
CART WEIGHT (kg)	0.41kg
SYSTEM WEIGHT (kg)	(TRAVEL IN METERS x 1.4) + 1.8

ENTER TRAVEL IN INCREMENTS OF 25mm
 SELECT DRIVE SHAFT LOCATION*
 SHAFTHING TYPE
 AO=SINGLE SHAFTED
 BO=DOUBLE SHAFTED
 AM=SINGLE SHAFTED W/ MOTOR MOUNT
 BM=DOUBLE SHAFTED W/ MOTOR MOUNT



1*

3*



APPROVED: _____
 DATE: _____

 MACRON DYNAMICS INC	DRAWN BY: PHW DATE: 11/26/2017 CHECKED BY: -- DATE: DD/MM/YYYY LAST SAVED BY: Tim DATE: 8/3/2020	MATERIAL:	TITLE: MACRON NBC ACTUATOR
	UNLESS OTHERWISE SPECIFIED: DIMENSIONS ARE IN MILLIMETER TOLERANCES UNLESS NOTED: .XX ± .762 .XX ± .254 .XXX ± .127 OTHERWISE: ANG ± 0°30'	FINISH:	
	SURFACE FINISH <input checked="" type="checkbox"/> BREAK ALL SHARP EDGES DIMENSIONAL LIMITS APPLY AFTER FINISHING THIRD ANGLE PROJECTION	SHEET: 1 OF 2 PART NUMBER: MSA-NBC	
THIS DRAWING IS THE PROPERTY OF MACRON DYNAMICS. ANY REPRODUCTIONS SHALL BE FOR QUOTATION, MANUFACTURING OR PURCHASING PURPOSES ONLY. RELEASE OF DRAWINGS TO OTHER CONCERNS DOES NOT CONSTITUTE LICENSING IN ANY WAY. INFORMATION CONTAINED HEREIN IS PROPRIETARY AND CONFIDENTIAL.	SPECIFICATIONS ARE SUBJECT TO CHANGE WITHOUT NOTICE	SCALE: 1:1 SHEET SIZE: C	REV:

