

# MSA-14H-I-JF- -

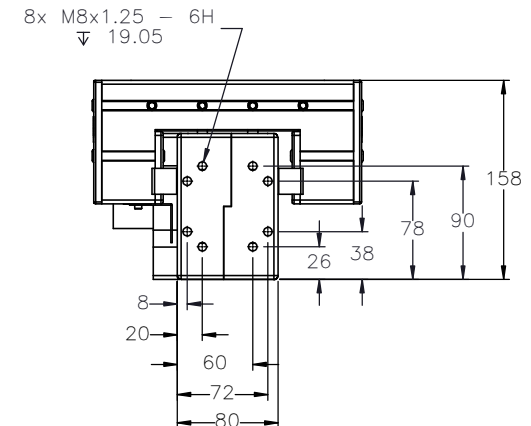
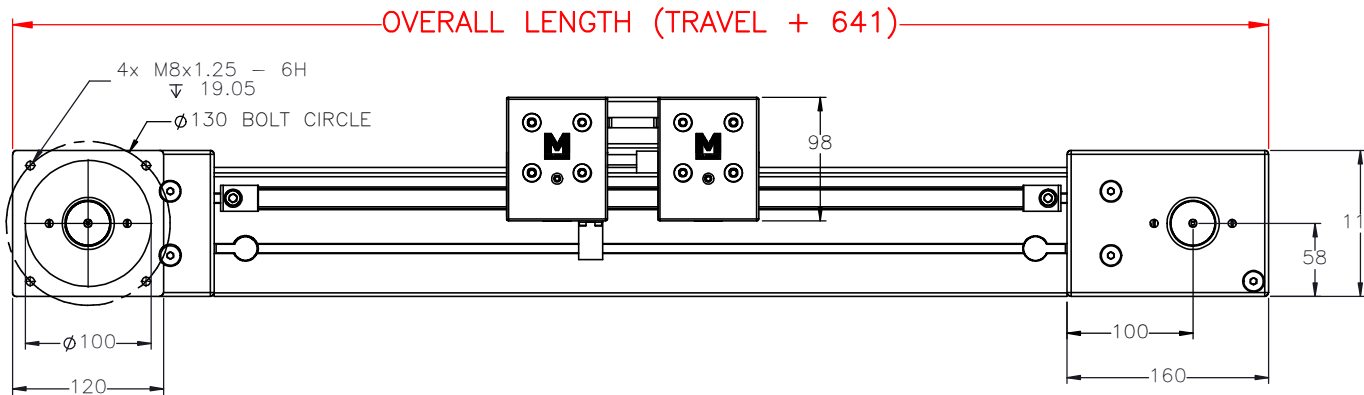
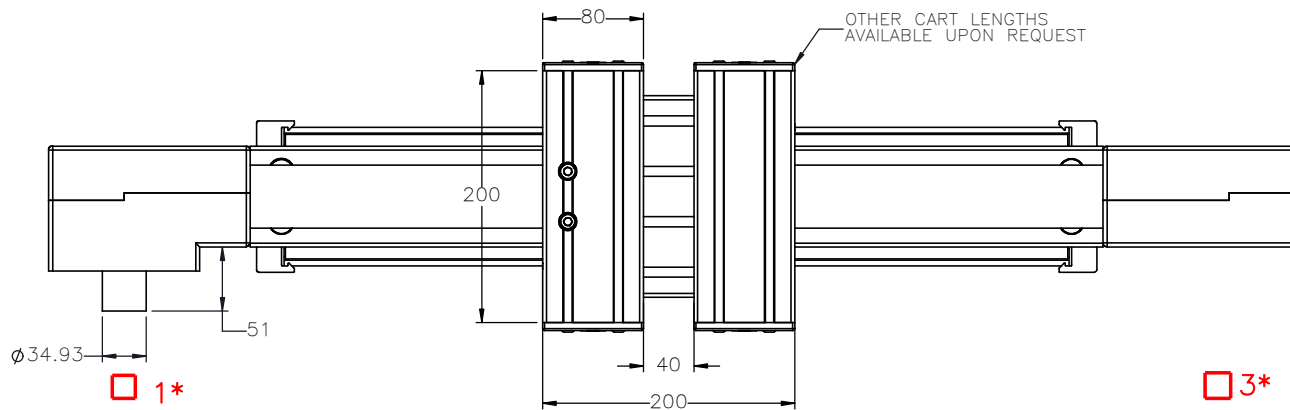
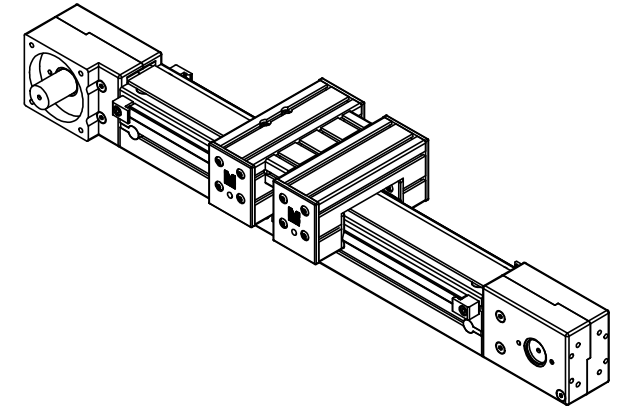
PULLEY PITCH DIAMETER	89.13mm (3.509")
PULLEY WIDTH	55mm (2.160")
PULLEY MATERIAL	STEEL
BELT WEIGHT (kg)	$((\text{TRAVEL IN METERS} \times 2) + 1.30) \times .34$
TRAVEL PER REV.	280mm
TRAVEL MIN.	150mm
TRAVEL MAX.	5675mm
CART WEIGHT (kg)	5.44kg
SYSTEM WEIGHT (kg)	$(\text{TRAVEL IN METERS} \times 12.2) + 19.4$

**ENTER**  
TRAVEL IN INCREMENTS OF 25mm

**SELECT**  
DRIVE SHAFT LOCATION\*

**SHAFTING TYPE**  
AO= SINGLE SHAFTED  
BO= DOUBLE SHAFTED

NOTE: (IF "B" IS USED THE NUMBER WILL DESIGNATE POSITION OF MOUNTING FLANGE.)  
AM= SINGLE SHAFTED W/ MOTOR MOUNT  
BM= DOUBLE SHAFTED W/ MOTOR MOUNT



APPROVED: \_\_\_\_\_

DATE: \_\_\_\_\_



**MACRON DYNAMICS INC**

THIS DRAWING IS THE PROPERTY OF MACRON DYNAMICS. ANY REPRODUCTIONS SHALL BE FOR QUOTATION, MANUFACTURING OR PURCHASING PURPOSES ONLY. RELEASE OF DRAWINGS TO OTHER CONCERNS DOES NOT CONSTITUTE LICENSING IN ANY WAY. INFORMATION CONTAINED HEREIN IS PROPRIETARY AND CONFIDENTIAL.

DRAWN BY: PHW	DATE: 11/26/2017
CHECKED BY: --	DATE: DD/MM/YYYY
LAST SAVED BY: Tim	DATE: 8/3/2020
UNLESS OTHERWISE SPECIFIED: DIMENSIONS ARE IN MILLIMETER TOLERANCES UNLESS NOTED OTHERWISE: .X ± .762 .XX ± .254 .XXX ± .127 ANG ± 0°30'	

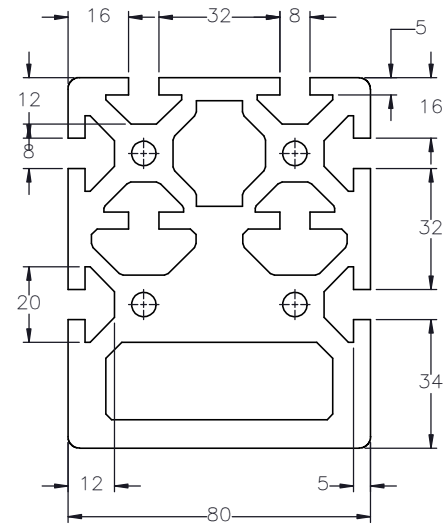
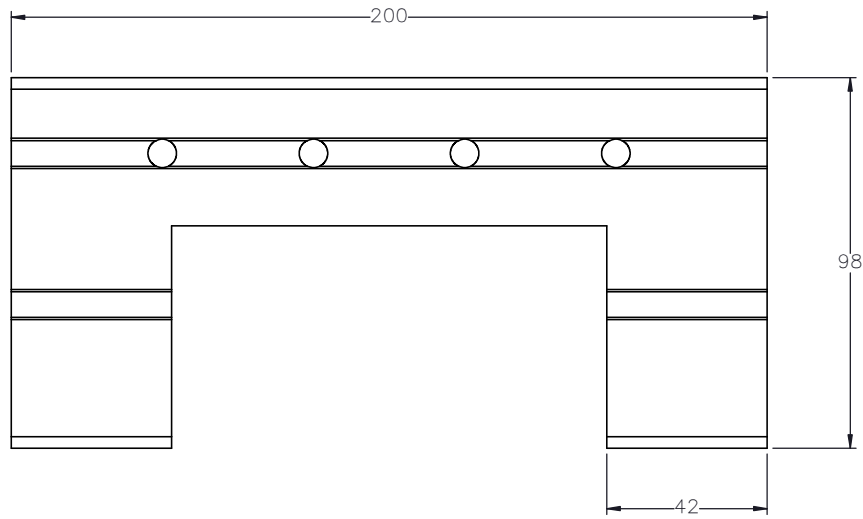
SURFACE FINISH   
BREAK ALL SHARP EDGES  
DIMENSIONAL LIMITS APPLY AFTER FINISHING  
**THIRD ANGLE PROJECTION**

MATERIAL:	FINISH:
SHEET 1 OF 3	PART NUMBER

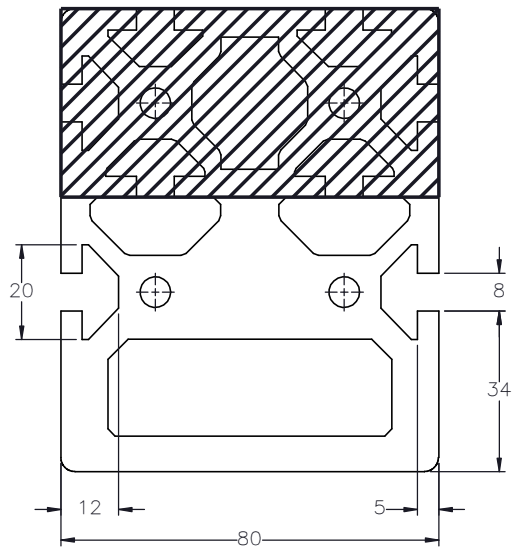
TITLE: <b>MACRON 14H ACTUATOR</b>	
SCALE: 1:1	SHEET SIZE: C
MSA-14H	

SPECIFICATIONS ARE SUBJECT TO CHANGE WITHOUT NOTICE

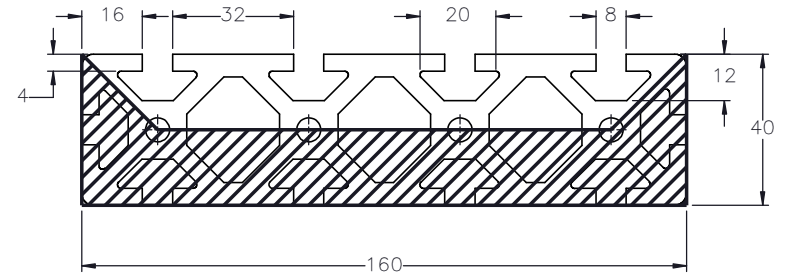
# CART MOUNTING T-SLOT FEATURES



# ACTUATOR BODY T-SLOT MOUNTING FEATURES



# CART EXTENDER T-SLOT FEATURES



**MACRON DYNAMICS INC**

THIS DRAWING IS THE PROPERTY OF MACRON DYNAMICS  
ANY REPRODUCTIONS SHALL BE FOR QUOTATION,  
MANUFACTURING OR PURCHASING PURPOSES ONLY.  
RELEASE OF DRAWINGS TO OTHER CONCERNS DOES NOT  
CONSTITUTE LICENSING IN ANY WAY. INFORMATION  
CONTAINED HEREIN IS PROPRIETARY AND CONFIDENTIAL.

SPECIFICATIONS ARE SUBJECT  
TO CHANGE WITHOUT NOTICE

DRAWN BY: PHW	DATE: 11/26/2017	MATERIAL:
CHECKED BY: --	DATE: DD/MM/YYYY	
LAST SAVED BY: Tim	DATE: 8/3/2020	
UNLESS OTHERWISE SPECIFIED: DIMENSIONS ARE IN MILLIMETERS TOLERANCES UNLESS NOTED OTHERWISE:		FINISH:
.X ± .762		
.XX ± .254		
.XXX ± .127		
ANG ± 0°30'		

SURFACE FINISH

✓

BREAK ALL SHARP EDGES  
DIMENSIONAL LIMITS APPLY AFTER FINISHING  
**THIRD ANGLE PROJECTION**

SHEET

PART NUMBER

**2 OF 3**

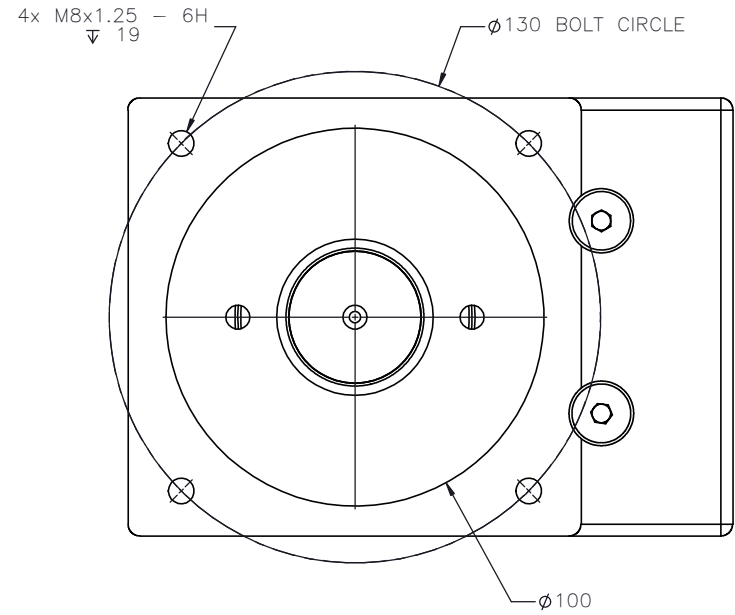
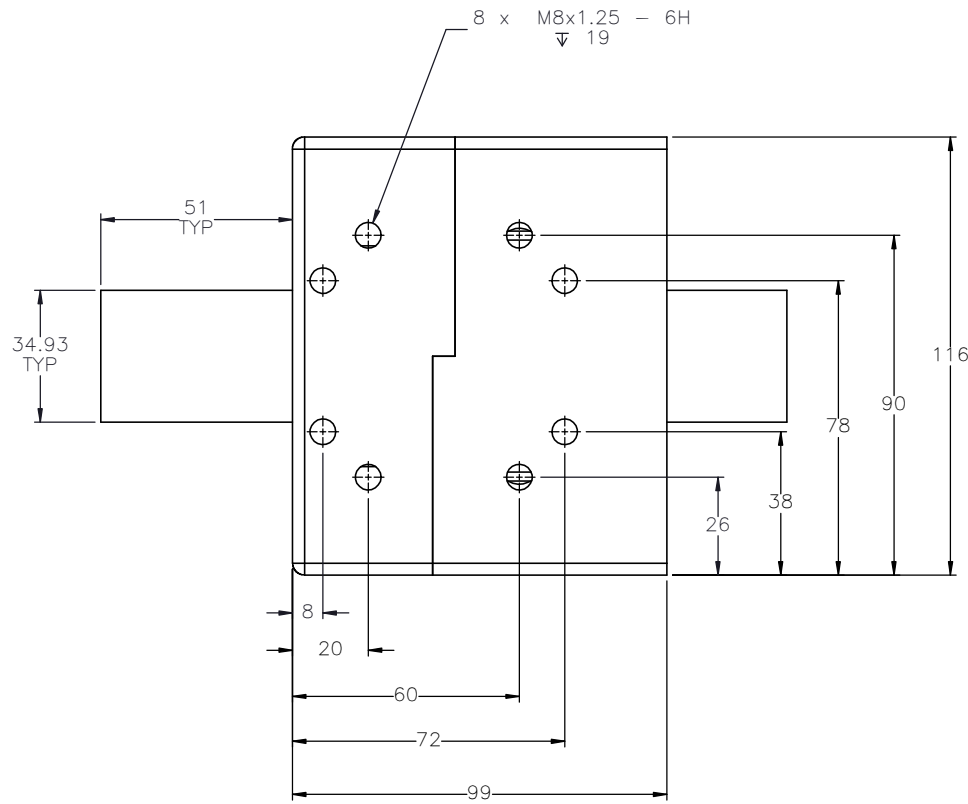
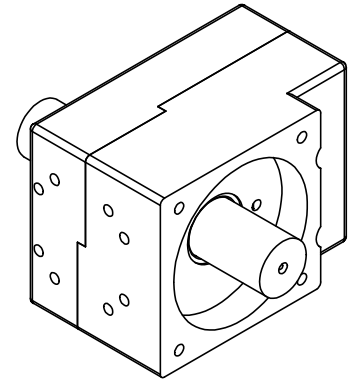
**MSA-14H**

TITLE:  
**MACRON 14H  
ACTUATOR**

SCALE: **1:1** SHEET SIZE: **C**

REV

# DOUBLE SHAFTED PULLEY



<b>MACRON DYNAMICS INC</b>	DRAWN BY: PHW	DATE: 11/26/2017	MATERIAL:	TITLE: <b>MACRON 14H ACTUATOR</b>	
	CHECKED BY: --	DATE: DD/MM/YYYY	FINISH:		
	LAST SAVED BY: Tim	DATE: 8/3/2020	SCALE: 1:1		SHEET SIZE: C
	UNLESS OTHERWISE SPECIFIED: DIMENSIONS ARE IN MILLIMETER TOLERANCES UNLESS NOTED OTHERWISE: ANG $\pm$ 0°30'		SHEET: 3 OF 3 PART NUMBER: MSA-14H		
THIS DRAWING IS THE PROPERTY OF MACRON DYNAMICS. ANY REPRODUCTIONS SHALL BE FOR QUOTATION, MANUFACTURING OR PURCHASING PURPOSES ONLY. RELEASE OF DRAWINGS TO OTHER CONCERNS DOES NOT CONSTITUTE LICENSING IN ANY WAY. INFORMATION CONTAINED HEREIN IS PROPRIETARY AND CONFIDENTIAL.		SURFACE FINISH: <input checked="" type="checkbox"/> BREAK ALL SHARP EDGES DIMENSIONAL LIMITS APPLY AFTER FINISHING		REV	
SPECIFICATIONS ARE SUBJECT TO CHANGE WITHOUT NOTICE		THIRD ANGLE PROJECTION			