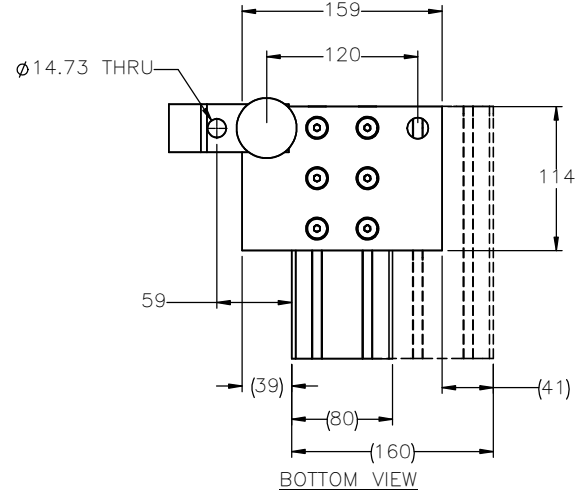
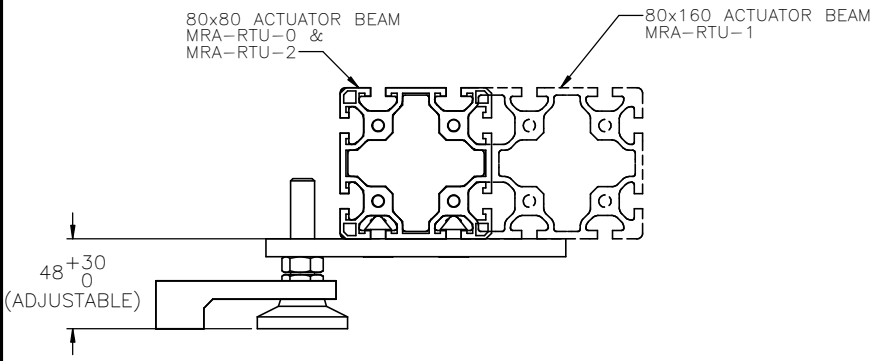
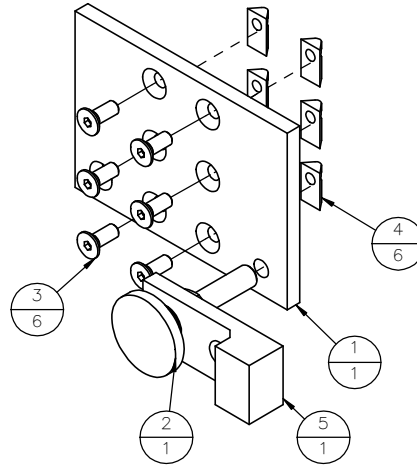


REVISION HISTORY			
REV.	DESCRIPTION	DATE	REVISED BY:

MKR-100

KIT INCLUDES:

- 6 M8 T-NUTS
- 6 M8 FLAT-HEAD BOLTS
- 1 MOUNTING BRACKET
- 1 LEVELING FOOT
- 1 FLOOR MOUNTING CLAMP




FOR USE WITH ANY ROBOTIC TRANSPORT UNIT:

>MRA-RTU-0 (2 KITS RECOMMENDED FOR EVERY 1000mm OF TRAVEL)

>MRA-RTU-1 (2 KITS RECOMMENDED FOR EVERY 500-1000mm OF TRAVEL)

>MRA-RTU-2 (4 KITS RECOMMENDED FOR EVERY 500-1000mm OF TRAVEL)

ITEM	QTY.	PART NUMBER	REV	DESCRIPTION
1	1	19411402	01	FLOOR MOUNTING PLATE
2	1	M21015		HEAVY DUTY LEVELING FOOT
3	6	545-20-ZP		M8 x 20 FHCS-ZP
4	6	M20058		T-SLOT NUT, M8
5	1	M21021		FLOOR MOUNTING CLAMP

 MACRON DYNAMICS INC	DRAWN BY: JA DATE: 12/10/2018 CHECKED BY: -- DATE: DD/MM/YYYY LAST SAVED BY: TH DATE: 10/21/2022	MATERIAL:	TITLE:	
	UNLESS OTHERWISE SPECIFIED: DIMENSIONS ARE IN MILLIMETERS: TOLERANCES, UNLESS NOTED: OTHERWISE:	.XX ± .254 .XXX ± .127 ANG ± 0°30'	FINISH:	
	SURFACE FINISH	✓	SHEET	PART NUMBER
	BREAK ALL SHARP EDGES DIMENSIONAL LIMITS APPLY AFTER FINISHING THIRD ANGLE PROJECTION		1 OF 1	MKR-100

THIS DRAWING IS THE PROPERTY OF MACRON DYNAMICS. ANY REPRODUCTIONS SHALL BE FOR QUOTATION, MANUFACTURING, OR PURCHASING PURPOSES ONLY. RELEASE OF DRAWINGS TO OTHER CONCERNS DOES NOT CONSTITUTE LICENSING IN ANY WAY. INFORMATION CONTAINED HEREIN IS PROPRIETARY AND CONFIDENTIAL.

SCALE 1:1 SHEET SIZE C