

GEARBOX MODEL (X AXIS)

MPG-062 _____
 MRG-062 _____
 RATIO: _____

MGS-R15- - - X

ENTER Y-AXIS TRAVEL
 TRAVEL IN INCREMENTS OF 150mm
 TRAVEL LIMITS: 500mm-1000mm

GEARBOX MODEL (Y AXIS)

MPG-062 _____
 MRG-062 _____
 RATIO: _____

ENTER X-AXIS TRAVEL
 TRAVEL IN INCREMENTS OF 25mm
 TRAVEL LIMITS: 150mm-3850mm

IF TRAVEL IS OUTSIDE LIMITS LISTED, CONTACT MACRON

FOR DIRECT-DRIVE OPTION WITH MMKs (NO GEARBOXES) CHECK HERE: _____

MOTOR INFORMATION (X AXIS)

MANUFACTURER: _____
 MODEL: _____

MOTOR INFORMATION (Y AXIS)

MANUFACTURER: _____
 MODEL: _____

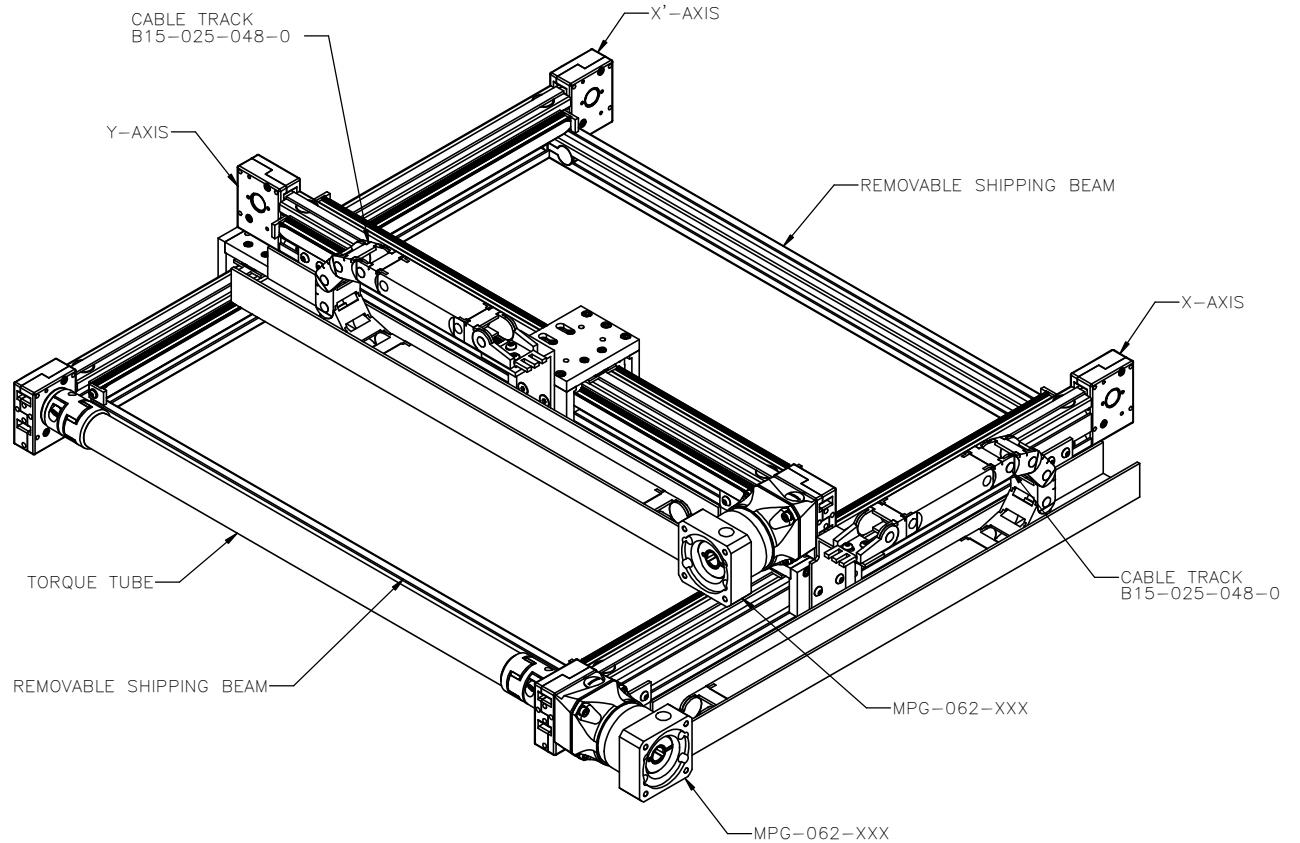
SENSOR INFORMATION X-AXIS:

HOME-QTY _____ 244-_____
 EOT-QTY _____ 244-_____

SENSOR INFORMATION Y-AXIS:

HOME-QTY _____ 244-_____
 EOT-QTY _____ 244-_____

(SEE T-SLOT SENSOR KIT SHEET FOR PART NUMBER CONFIGURATION)



APPROVED: _____

SIGN & PRINT

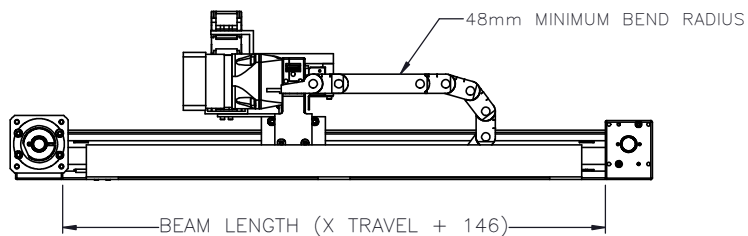
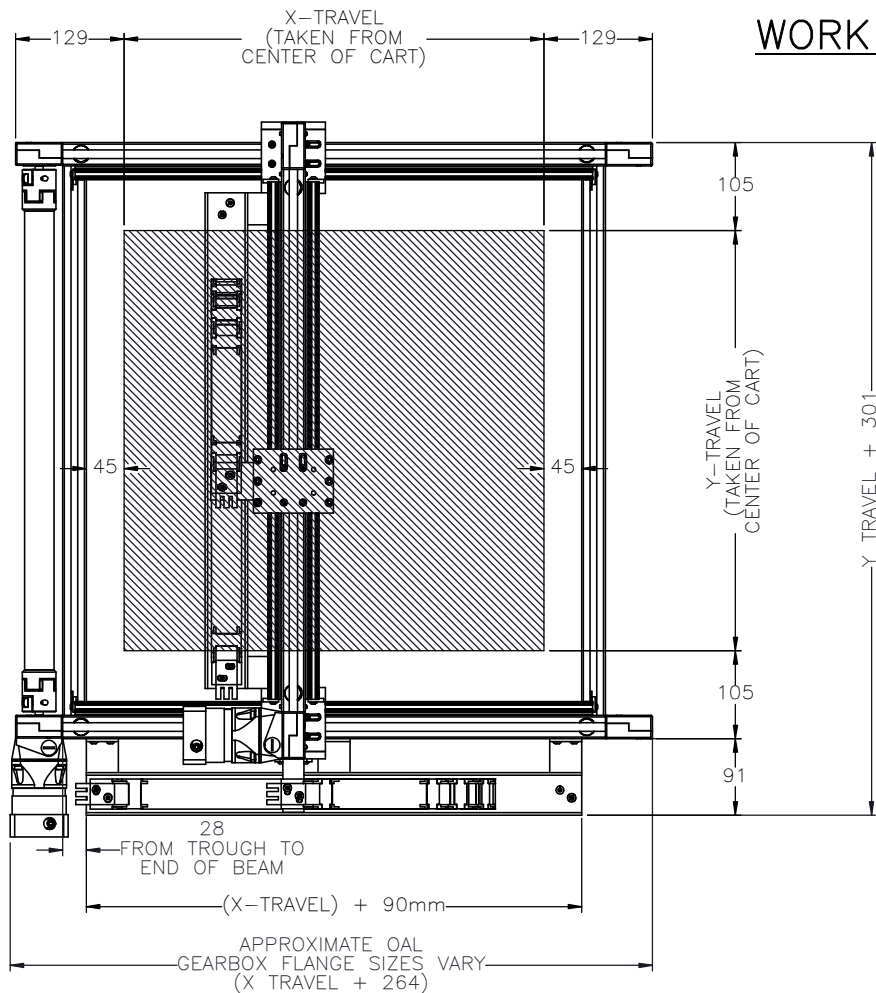
DATE: _____

PO:REFERENCE#: _____

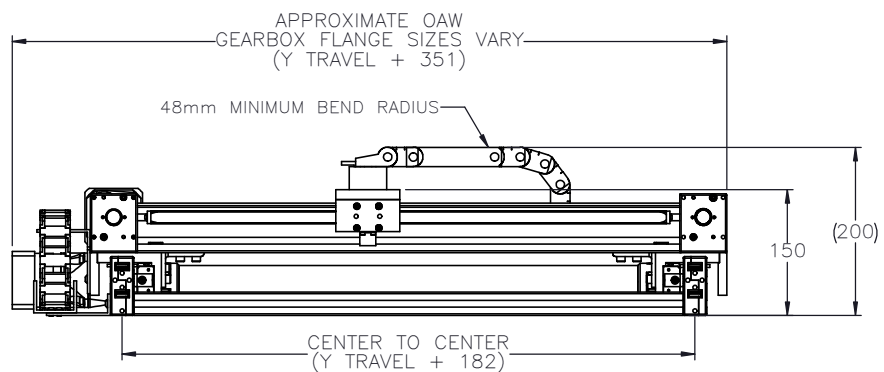
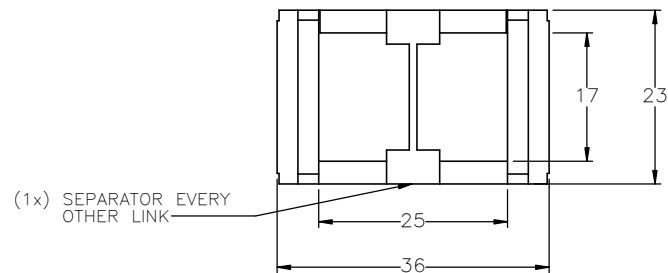
MACRON DYNAMICS INC	DRAWN BY: JA	DATE: 10/30/2018	MATERIAL:	TITLE: MACRON XY RAIL GANTRY
	CHECKED BY:	DATE: DD/MM/YYYY		
	LAST SAVED BY: JA	DATE: 10/9/2020	FINISH:	
	UNLESS OTHERWISE SPECIFIED: DIMENSIONS ARE IN MILLIMETERS TOLERANCES UNLESS NOTED OTHERWISE:			
SURFACE FINISH <input checked="" type="checkbox"/>		BREAK ALL SHARP EDGES DIMENSIONAL LIMITS APPLY AFTER FINISHING		SCALE: 1:1
THIRD ANGLE PROJECTION		SHEET: 1 OF 6	PART NUMBER: MGS-R15-X-X-X	SHEET SIZE: C

THIS DRAWING IS THE PROPERTY OF MACRON DYNAMICS. ANY REPRODUCTIONS SHALL BE FOR QUOTATION, MANUFACTURING OR PURCHASING PURPOSES ONLY. RELEASE OF DRAWINGS TO OTHER CONCERNS DOES NOT CONSTITUTE LICENSING IN ANY WAY. INFORMATION CONTAINED HEREIN IS PROPRIETARY AND CONFIDENTIAL.

WORK ENVELOPE AND GANTRY FOOTPRINT

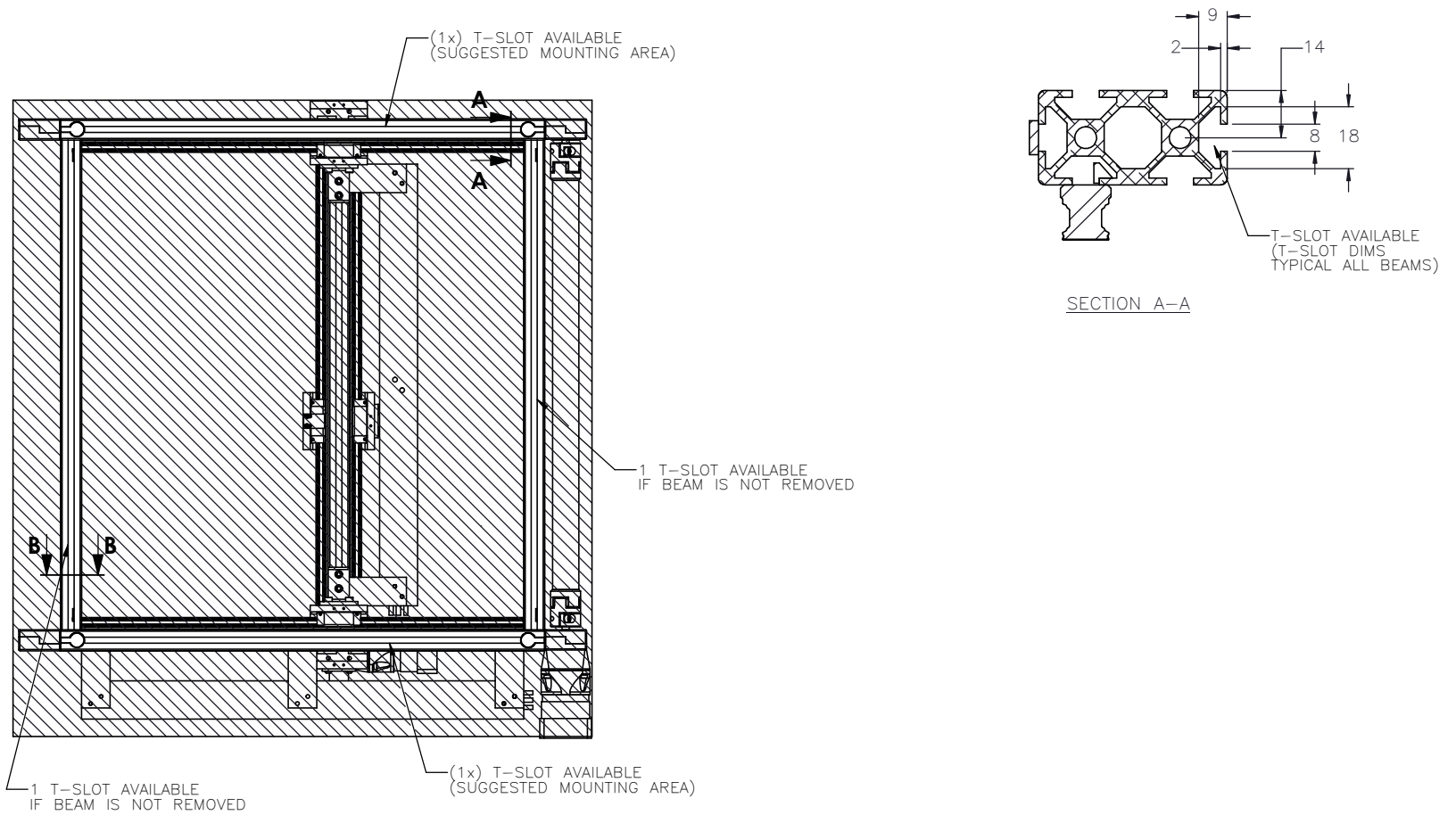


CABLE TRACK CROSS SECTION

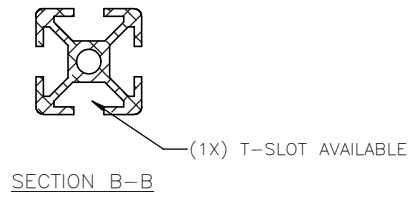


MACRON DYNAMICS INC	DRAWN BY: JA	DATE: 10/30/2018	MATERIAL:	TITLE: MACRON XY RAIL GANTRY	
	CHECKED BY:	DATE: DD/MM/YYYY	FINISH:		
	LAST SAVED BY: JA	DATE: 10/9/2020	UNLESS OTHERWISE SPECIFIED: DIMENSIONS ARE IN MILLIMETERS TOLERANCES UNLESS NOTED OTHERWISE:	SCALE: 1:1	SHEET SIZE: C
	THIS DRAWING IS THE PROPERTY OF MACRON DYNAMICS. ANY REPRODUCTIONS SHALL BE FOR QUOTATION, MANUFACTURING, OR PURCHASING PURPOSES ONLY. RELEASE OF DRAWINGS TO OTHER CONCERNS DOES NOT CONSTITUTE LICENSING IN ANY WAY. INFORMATION CONTAINED HEREIN IS PROPRIETARY AND CONFIDENTIAL.			SURFACE FINISH: <input checked="" type="checkbox"/> BREAK ALL SHARP EDGES DIMENSIONAL LIMITS APPLY AFTER FINISHING THIRD ANGLE PROJECTION	SHEET: 2 OF 6 PART NUMBER: MGS-R15-X-X-X REV:

GANTRY MOUNTING FEATURES

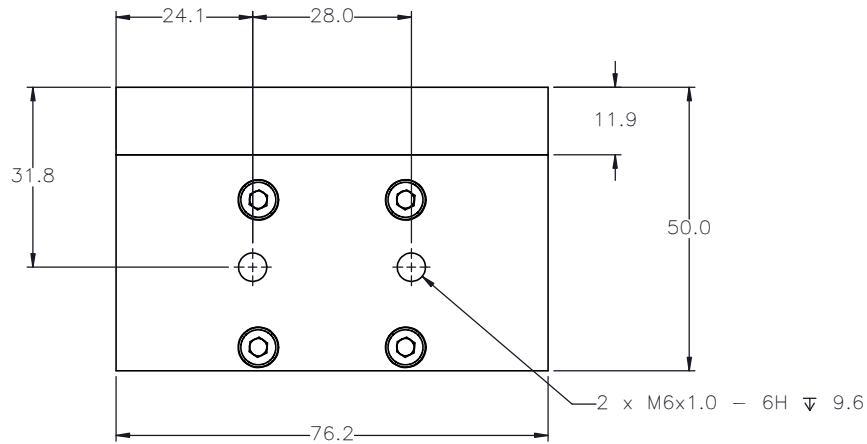
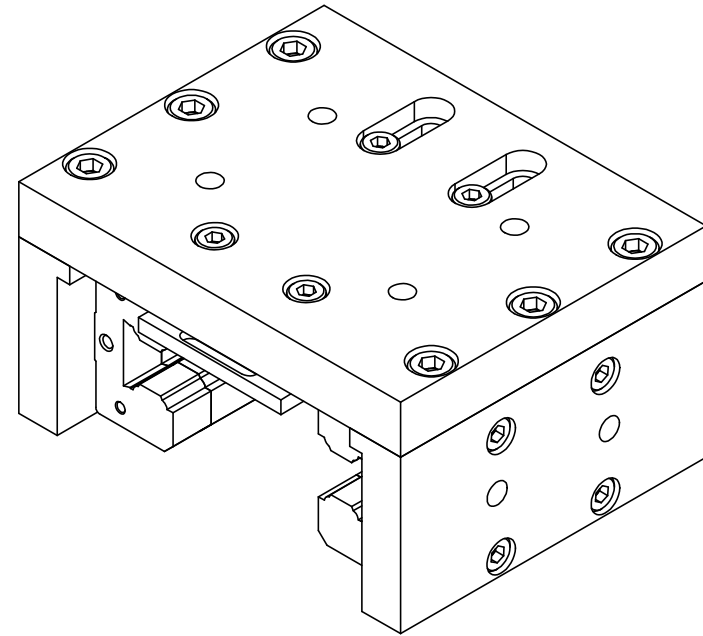
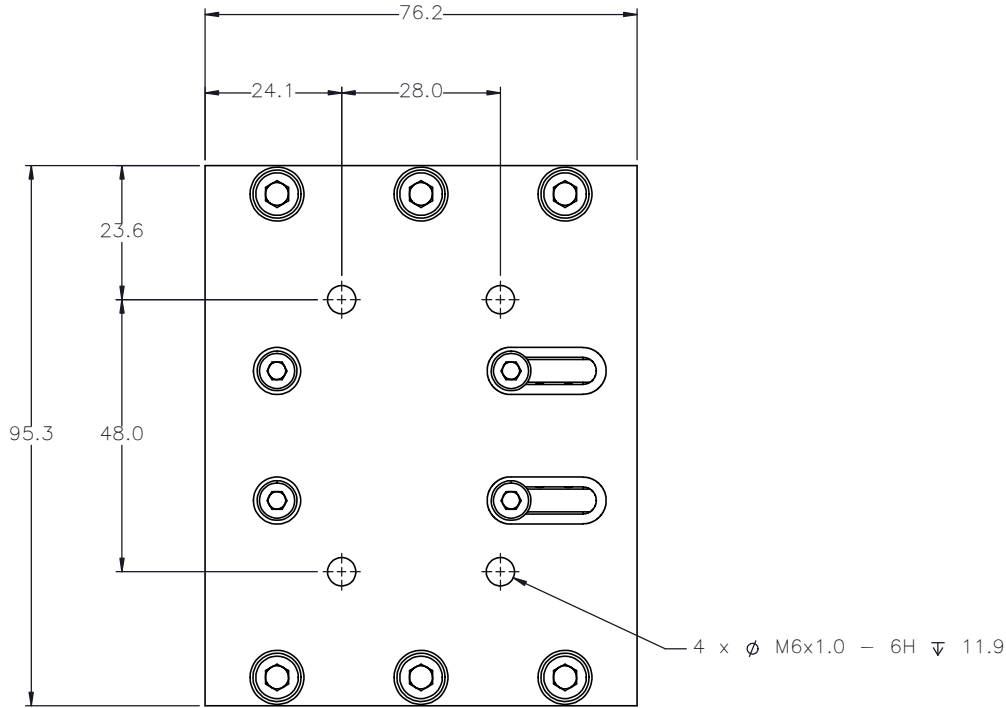


BOTTOM VIEW



MACRON DYNAMICS INC	DRAWN BY: JA	DATE: 10/30/2018	MATERIAL:	MACRON XY RAIL GANTRY		
	CHECKED BY:	DATE: DD/MM/YYYY				
	LAST SAVED BY: JA	DATE: 10/9/2020	FINISH:			
	UNLESS OTHERWISE SPECIFIED: DIMENSIONS ARE IN MILLIMETERS: TOLERANCES UNLESS NOTED: .XX ± .254 XXX ± .127 ANG ± 0°30'					
SURFACE FINISH <input checked="" type="checkbox"/>			SCALE: 1:1	SHEET SIZE: C		
THIS DRAWING IS THE PROPERTY OF MACRON DYNAMICS. ANY REPRODUCTIONS SHALL BE FOR QUOTATION, MANUFACTURING, OR PURCHASING PURPOSES ONLY. RELEASE OF DRAWINGS TO OTHER CONCERNS DOES NOT CONSTITUTE LICENSING IN ANY WAY. INFORMATION CONTAINED HEREIN IS PROPRIETARY AND CONFIDENTIAL.			BREAK ALL SHARP EDGES DIMENSIONAL LIMITS APPLY AFTER FINISHING THIRD ANGLE PROJECTION	SHEET: 3 OF 6	PART NUMBER: MGS-R15-X-X-X	REV:

CART MOUNTING FEATURES



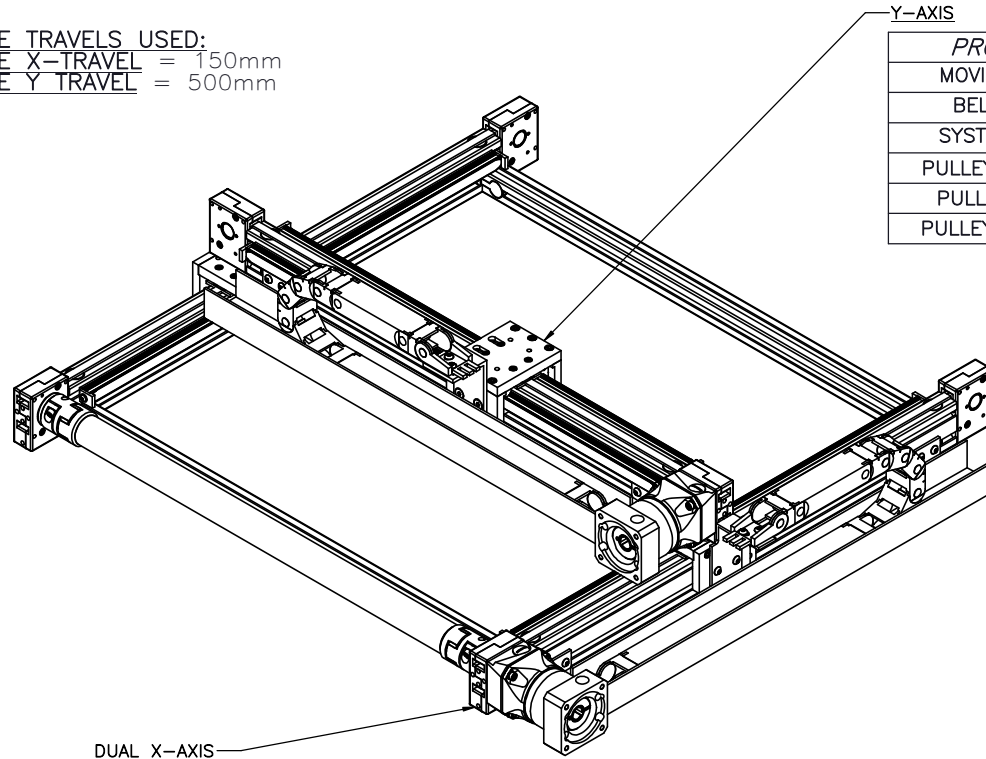
*THIS CART FACE IS THE SAME ON BOTH SIDES

MACRON DYNAMICS INC	DRAWN BY: PHW	DATE: 11/26/2017	MATERIAL:	TITLE:
	CHECKED BY:	DATE: DD/MM/YYYY		MACRON R15 CART
	LAST SAVED BY: Paul	DATE: 10/9/2020	FINISH:	
	<small>UNLESS OTHERWISE SPECIFIED: DIMENSIONS ARE IN MILLIMETERS. TOLERANCES UNLESS NOTED OTHERWISE:</small>		<small>.X ± .762 .XX ± .254 .XXX ± .127 ANG ± 0°30'</small>	SCALE: 1:1
<small>THIS DRAWING IS THE PROPERTY OF MACRON DYNAMICS. ANY REPRODUCTIONS SHALL BE FOR QUOTATION, MANUFACTURING, OR PURCHASING PURPOSES ONLY. RELEASE OF DRAWINGS TO OTHER CONCERNS DOES NOT CONSTITUTE LICENSING IN ANY WAY. INFORMATION CONTAINED HEREIN IS PROPRIETARY AND CONFIDENTIAL.</small>			SURFACE FINISH: <input checked="" type="checkbox"/> BREAK ALL SHARP EDGES DIMENSIONAL LIMITS APPLY AFTER FINISHING THIRD ANGLE PROJECTION	
SHEET: 4 OF 6		PART NUMBER: MGS-R15-X-X-X		REV: C

MOTOR SIZING WORKSHEET

(INCREMENTAL ADDERS REFER TO MASS PER TRAVEL LENGTH)

BASE TRAVELS USED:
 BASE X-TRAVEL = 150mm
 BASE Y-TRAVEL = 500mm



PROPERTY	BASE VALUE (T=500mm)
MOVING MASS	0.817kg(+0.01kg/25mm)
BELT MASS	0.06(+0.002kg/25mm)
SYSTEM MASS	7.0kg(+0.150kg/25mm)
PULLEY PITCH ϕ	33.42mm (1.32")
PULLEY WIDTH	16.3mm (0.64")
PULLEY MATERIAL	STEEL

DUAL X-AXIS

PROPERTY	BASE VALUE (T=150mm)
*MOVING MASS	1.433kg(+0.0139kg/25mm)
BELT MASS	0.064kg(+0.004kg/25mm)
PULLEY PITCH ϕ	33.42mm (1.32")
PULLEY WIDTH	16.3mm (0.64")
PULLEY MATERIAL	STEEL
**TORQUE TUBE LENGTH	646mm
TORQUE TUBE ϕ	35mm
**TORQUE TUBE MASS	0.568kg(+0.022kg/25mm)
TORQUE TUBE MATERIAL	ANODIZED ALUMINUM ELASTOMER STYLE COUPLINGS WITH HUB
TRAVEL PER REV	105mm

X-TRAVEL = _____ mm
 CENTER TO CENTER = _____ mm

NOTE: ALL SUPPLIED MASSES DO NOT INCLUDE CUSTOMER COMPONENTS (MOTORS, CABLES, ETC.)

GEARBOX MASS (ADD TO SYSTEM MASS)	MPG-062	1.0kg
	MRG-062	3.0kg

TOTAL SYSTEM MASS	(X TRAVEL x .0075) + (Y TRAVEL x .0081) + 6.81 = kg		
MACRON DYNAMICS INC	DRAWN BY: JA	DATE: 10/30/2018	MATERIAL:
	CHECKED BY:	DATE: DD/MM/YYYY	
	LAST SAVED BY: JA	DATE: 10/9/2020	
	UNLESS OTHERWISE SPECIFIED: .X \pm .762 DIMENSIONS ARE IN MILLIMETERS: .XX \pm .254 TOLERANCES UNLESS NOTED: .XXX \pm .127 OTHERWISE: ANG \pm 0.30'		FINISH:
SURFACE FINISH <input checked="" type="checkbox"/>		BREAK ALL SHARP EDGES	SCALE 1:1 SHEET SIZE C
DIMENSIONAL LIMITS APPLY AFTER FINISHING		SHEET 5 OF 6	PART NUMBER MGS-R15-X-X-X
THIRD ANGLE PROJECTION			REV

*Y-AXIS SYSTEM MASS NEEDS TO BE ADDED TO THIS

**BASE VALUE AT Y TRAVEL = 500mm

SPECIFICATIONS

Sensor Type	Inductive
Sensor Size	Fits all 8mm wide T-Slots
Operating Voltage	10-30 VDC
Voltage Drop Across Conducting Sensor	≤1.8 V at 100 mA
Number of Conductors (AWG)	3x26 AWG
Temperature Range	-40°C to 105°C

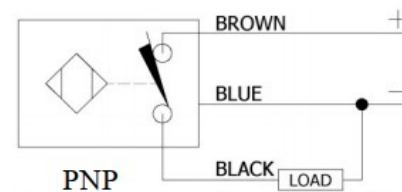
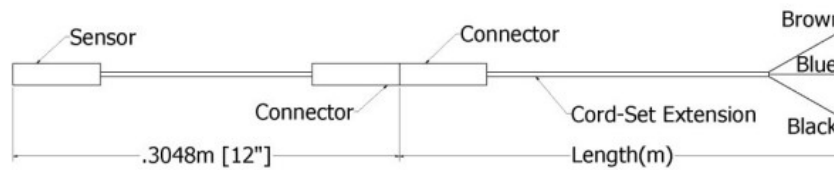
Part Number Configuration

244- - - - -

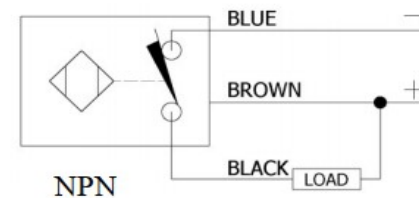
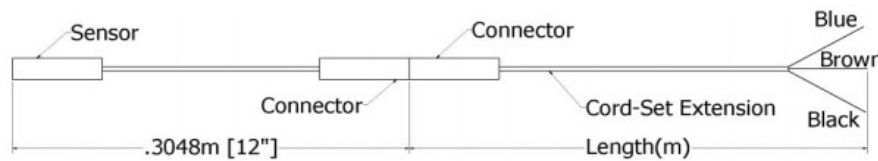
PNP or NPN	NC or NO	02	Meters
PNP or NPN	NC or NO	06	Meters
PNP or NPN	NC or NO	12	Meters

Example: PNP, normally closed, cord-set extension length 6 meters = 244-PNP-NC-06

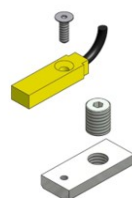
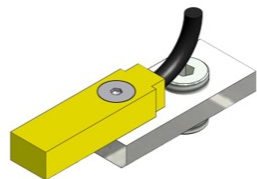
PNP Diagrams



NPN Diagrams



KIT INCLUDES – SENSOR, CORDSET EXTENSION, AND MOUNTING HARDWARE



<p>MACRON DYNAMICS INC</p>	DRAWN BY: JA DATE: 10/30/2018 CHECKED BY: DATE: DD/MM/YYYY LAST SAVED BY: JA DATE: 10/9/2020	MATERIAL:	TITLE:	
	UNLESS OTHERWISE SPECIFIED, DIMENSIONS ARE IN MILLIMETERS. TOLERANCES UNLESS NOTED OTHERWISE:	FINISH:	T-SLOT SENSOR KIT	
	SURFACE FINISH <input checked="" type="checkbox"/> BREAK ALL SHARP EDGES DIMENSIONAL LIMITS APPLY AFTER FINISHING	SHEET	PART NUMBER	SCALE 1:1 SHEET SIZE C
	THIRD ANGLE PROJECTION	6 OF 6	SENSOR CALL-OUT	REV