

MDS-14H-I-JF- - - X

GEARBOX MODEL

MPG-088 MPG-118
 MRG-088 MRG-118
 RATIO:

CENTER TO CENTER DISTANCE (mm)
 CENTER TO CENTER IN INCREMENTS OF 25mm
 LIMITS: 500mm-2950mm

ENTER X-AXIS TRAVEL (mm)
 TRAVEL IN INCREMENTS OF 25mm
 LIMITS: 150mm-5575mm

*IF TRAVEL IS
 OUTSIDE LIMITS
 LISTED, CONTACT
 MACRON*

FOR DIRECT DRIVE OPTION WITH MMK
 (NO GEARBOX) CHECK HERE:

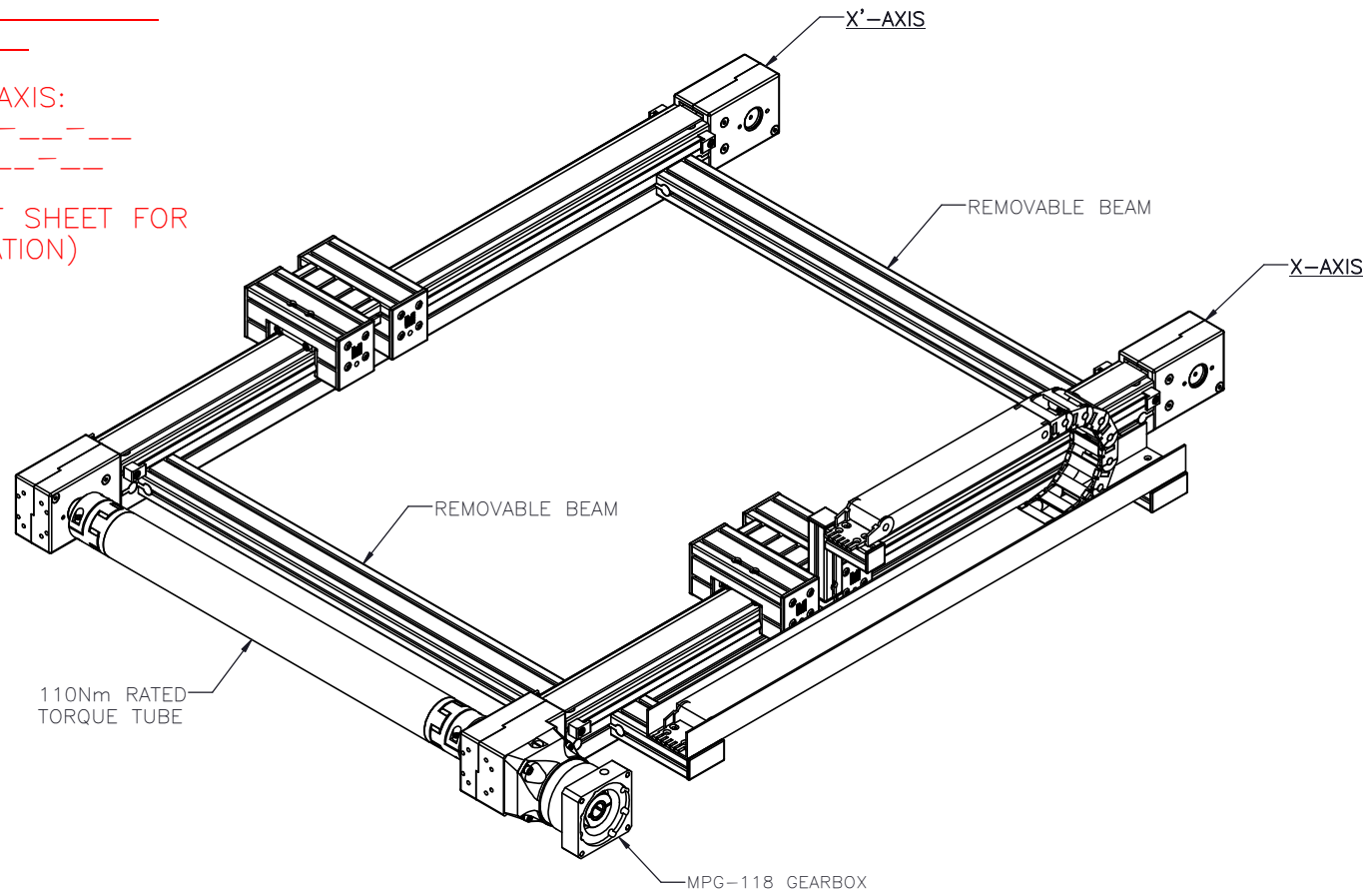
MOTOR INFORMATION

MANUFACTURER:
 MODEL:

SENSOR INFORMATION X-AXIS:

HOME-QTY 244- - - - -
 EOT-QTY 244- - - - -


(SEE T-SLOT SENSOR KIT SHEET FOR
 PART NUMBER CONFIGURATION)

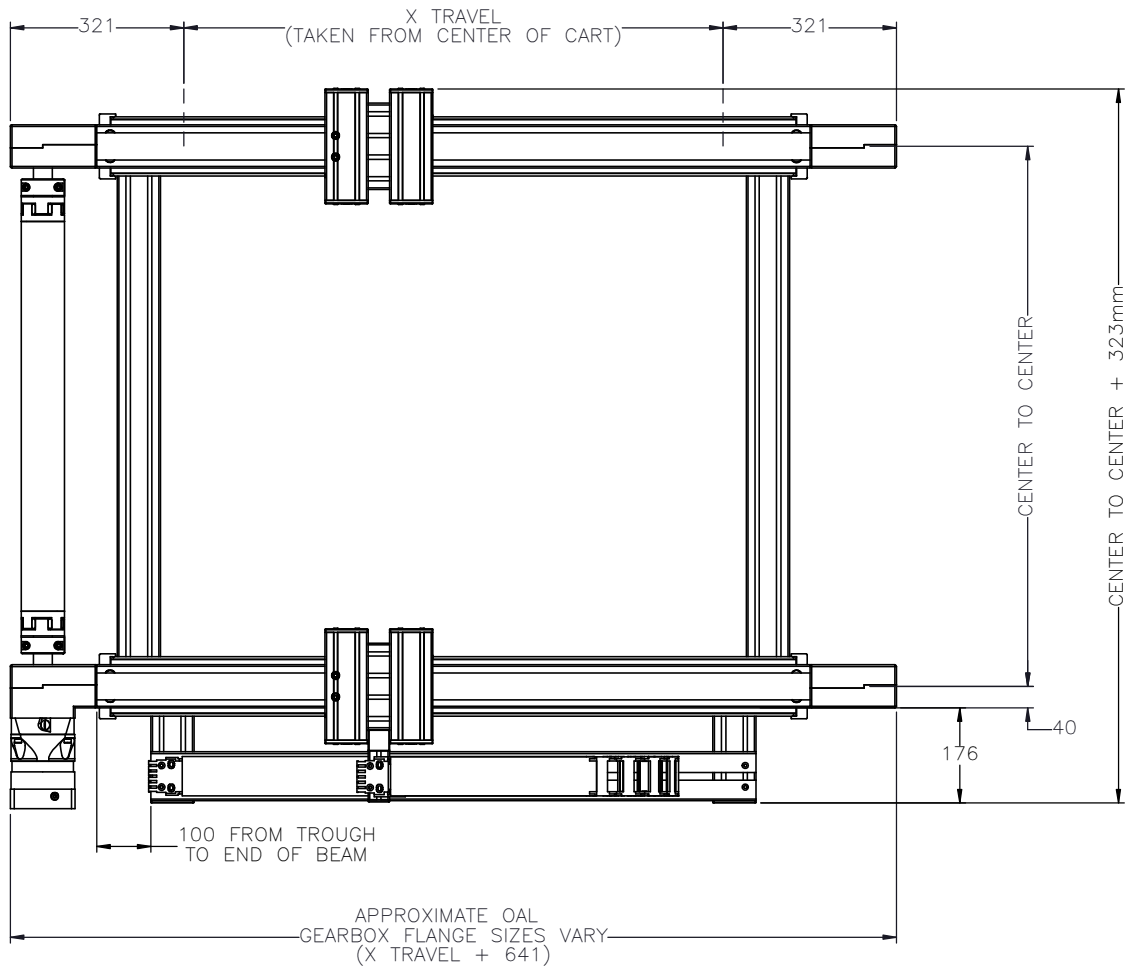


APPROVED:

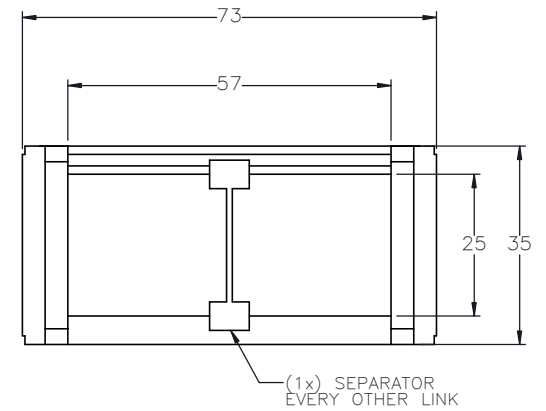
DATE:

PO:REFERENCE#:

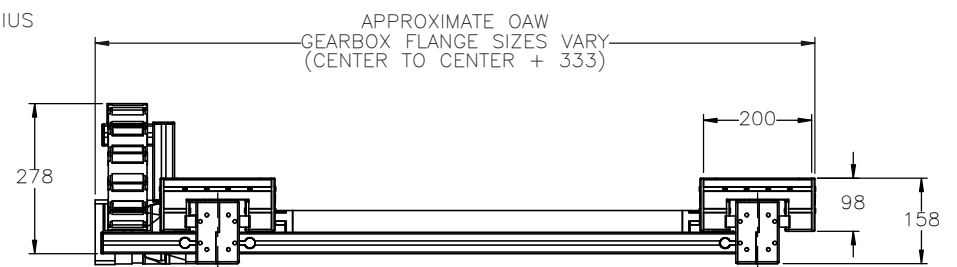
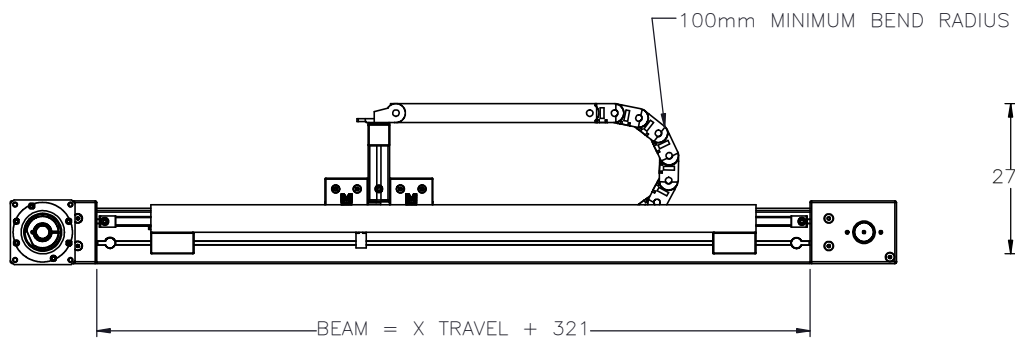
 MACRON DYNAMICS INC	DRAWN BY: PHW DATE: 11/26/2017	MATERIAL:	TITLE: MACRON 14H DUAL SYSTEM
	CHECKED BY: DATE: DD/MM/YYYY	FINISH:	
	LAST SAVED BY: Paul DATE: 8/25/2020	UNLESS OTHERWISE SPECIFIED: DIMENSIONS ARE IN MILLIMETER TOLERANCES UNLESS NOTED: .X ± .762 .XX ± .254 .XXX ± .127 OTHERWISE: ANG ± 0°30'	
SURFACE FINISH <input checked="" type="checkbox"/>		BREAK ALL SHARP EDGES DIMENSIONAL LIMITS APPLY AFTER FINISHING THIRD ANGLE PROJECTION	SCALE: 1:1 SHEET SIZE: C
THIS DRAWING IS THE PROPERTY OF MACRON DYNAMICS. ANY REPRODUCTIONS SHALL BE FOR QUOTATION, MANUFACTURING, OR PURCHASING PURPOSES ONLY. RELEASE OF DRAWINGS TO OTHER CONCERNS DOES NOT CONSTITUTE LICENSING IN ANY WAY. INFORMATION CONTAINED HEREIN IS PROPRIETARY AND CONFIDENTIAL.		SHEET: 1 OF 6	PART NUMBER: MDS-14H-I-JF-X-X-X




GANTRY FOOTPRINT

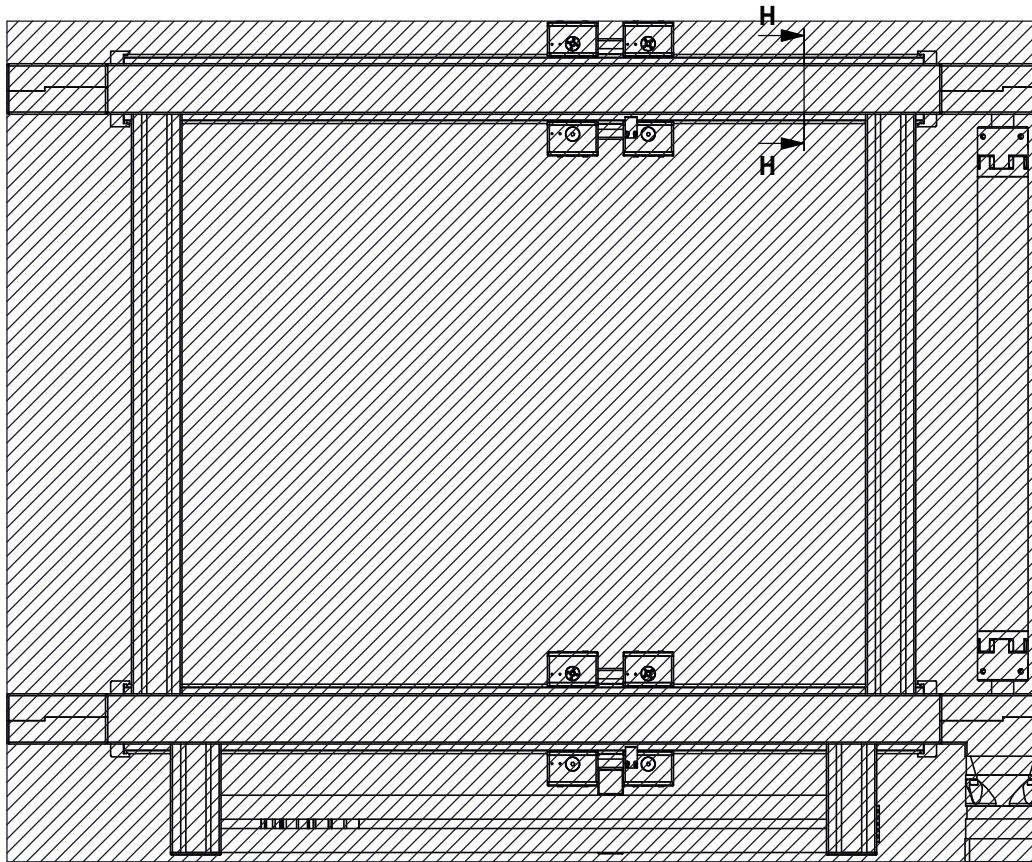


CABLE TRACK CROSS SECTION

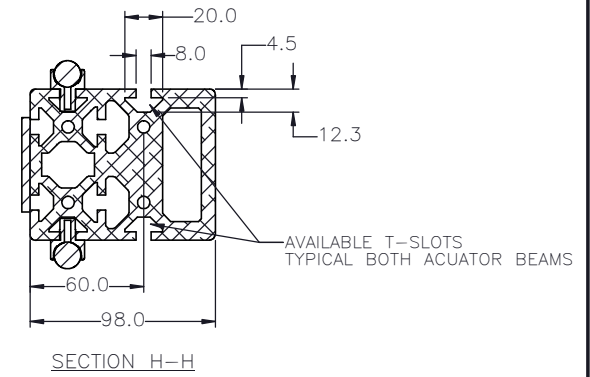



 MACRON DYNAMICS INC	DRAWN BY: PHW DATE: 11/26/2017	MATERIAL:	TITLE: MACRON 14H DUAL SYSTEM
	CHECKED BY: DATE: DD/MM/YYYY	FINISH:	
	LAST SAVED BY: Paul DATE: 8/25/2020	UNLESS OTHERWISE SPECIFIED: DIMENSIONS ARE IN MILLIMETER TOLERANCES UNLESS NOTED: .X ± .762 .XX ± .254 .XXX ± .127 ANG ± 0°30'	SCALE: 1:1 SHEET SIZE: C
	THIS DRAWING IS THE PROPERTY OF MACRON DYNAMICS. ANY REPRODUCTIONS SHALL BE FOR QUOTATION, MANUFACTURING, OR PURCHASING PURPOSES ONLY. RELEASE OF DRAWINGS TO OTHER CONCERNS DOES NOT CONSTITUTE LICENSING IN ANY WAY. INFORMATION CONTAINED HEREIN IS PROPRIETARY AND CONFIDENTIAL.	SURFACE FINISH: <input checked="" type="checkbox"/> BREAK ALL SHARP EDGES DIMENSIONAL LIMITS APPLY AFTER FINISHING THIRD ANGLE PROJECTION	SHEET: 2 OF 6 PART NUMBER: MDS-14H-I-JF-X-X-X

GANTRY MOUNTING FEATURES

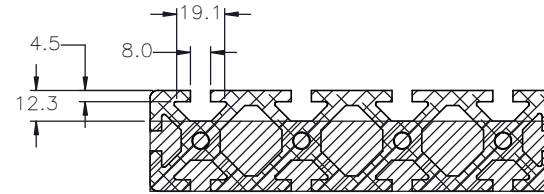
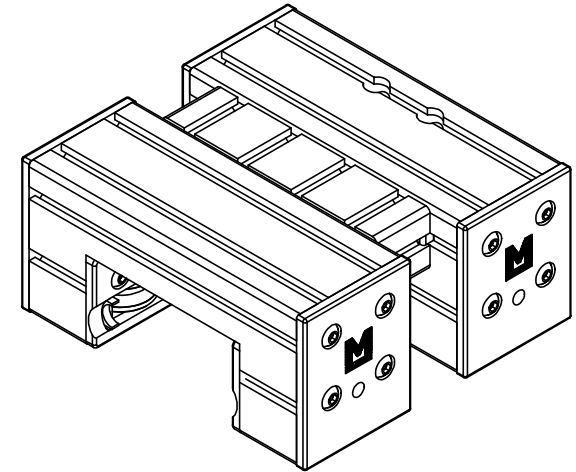
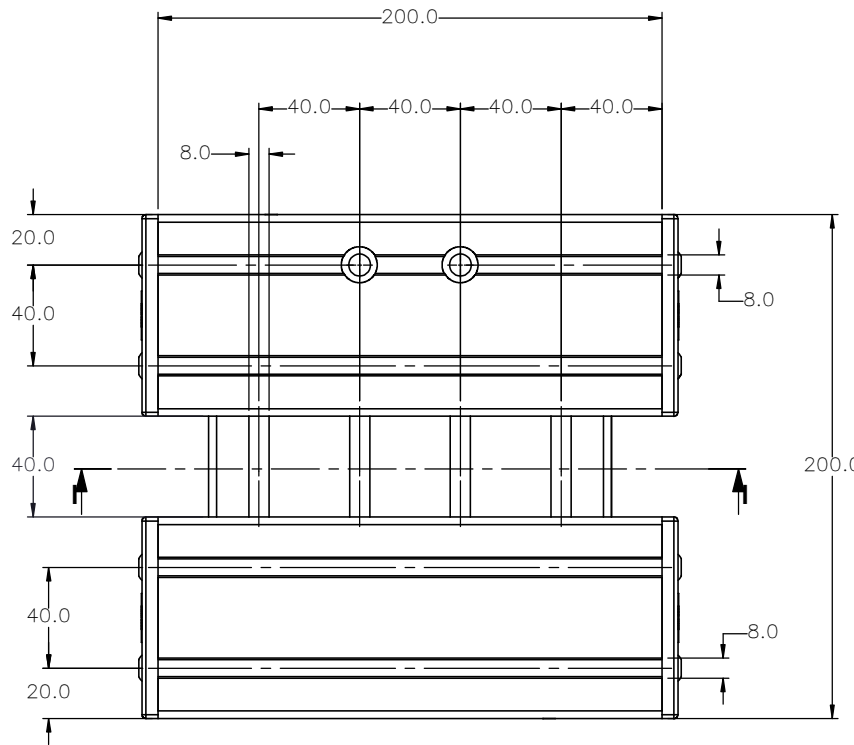


BOTTOM VIEW

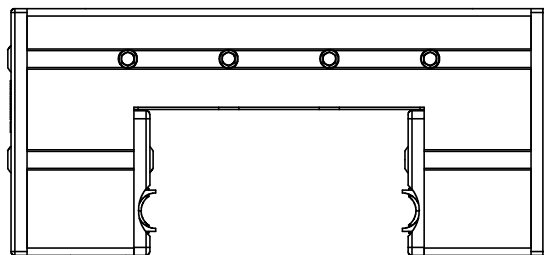



 MACRON DYNAMICS INC	DRAWN BY: PHW DATE: 11/26/2017	MATERIAL:	TITLE: MACRON 14H DUAL SYSTEM
	CHECKED BY: DATE: DD/MM/YYYY	FINISH:	
	LAST SAVED BY: Paul DATE: 8/25/2020	UNLESS OTHERWISE SPECIFIED: DIMENSIONS ARE IN MILLIMETER TOLERANCES UNLESS NOTED: .X ± .762 .XX ± .254 .XXX ± .127 OTHERWISE: ANG ± 0°30'	
SURFACE FINISH ✓		BREAK ALL SHARP EDGES DIMENSIONAL LIMITS APPLY AFTER FINISHING THIRD ANGLE PROJECTION	SCALE: 1:1 SHEET SIZE: C
THIS DRAWING IS THE PROPERTY OF MACRON DYNAMICS. ANY REPRODUCTIONS SHALL BE FOR QUOTATION, MANUFACTURING OR PURCHASING PURPOSES ONLY. RELEASE OF DRAWINGS TO OTHER CONCERNS DOES NOT CONSTITUTE LICENSING IN ANY WAY. INFORMATION CONTAINED HEREIN IS PROPRIETARY AND CONFIDENTIAL.		SHEET: 3 OF 6 PART NUMBER: MDS-14H-I-JF-X-X-X	REV:

CART MOUNTING FEATURES



SECTION I-I
T-SLOT DIMENSIONS
TYP ALL BEAMS

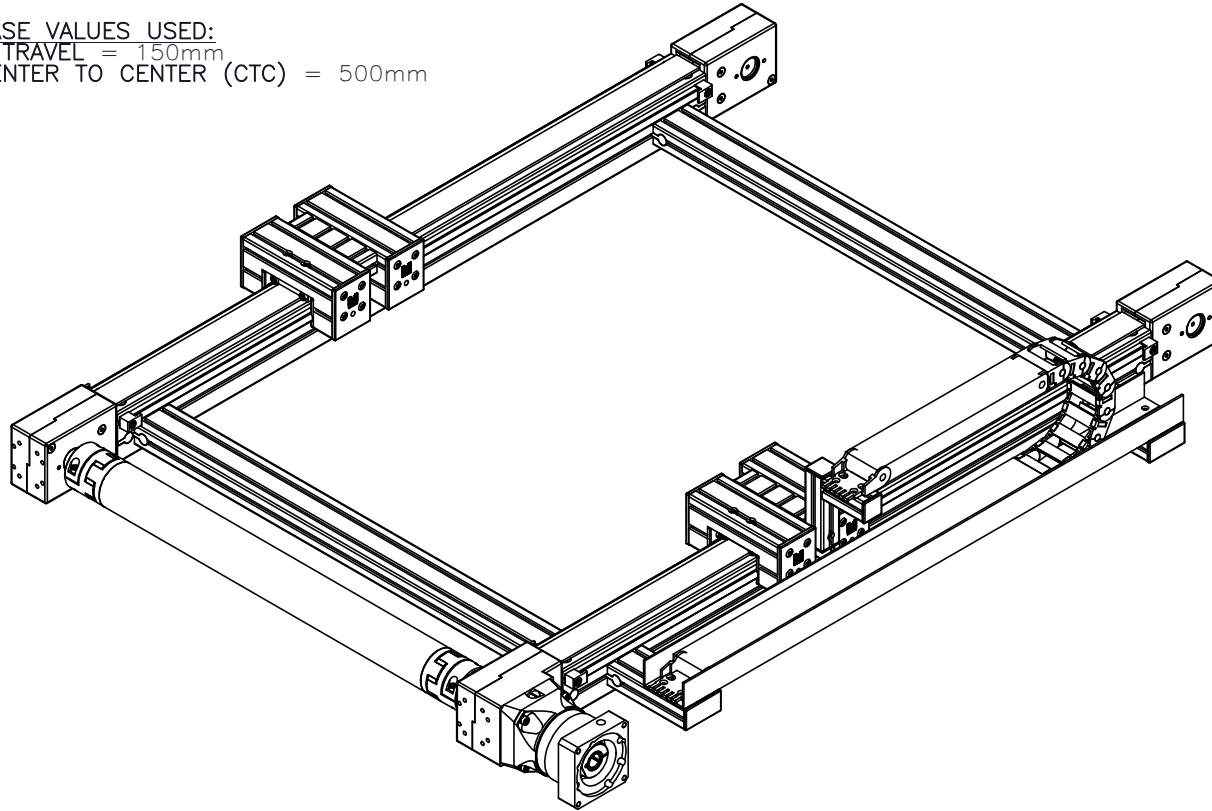


 MACRON DYNAMICS INC	DRAWN BY: PHW CHECKED BY: Paul LAST SAVED BY: Paul	DATE: 11/26/2017 DATE: DD/MM/YYYY DATE: 8/25/2020	MATERIAL:	TITLE: CSA-14H
	UNLESS OTHERWISE SPECIFIED: DIMENSIONS ARE IN MILLIMETER TOLERANCES UNLESS NOTED OTHERWISE:	.X ± .762 .XX ± .254 .XXX ± .127 ANG ± 0°30'	FINISH:	SCALE: 1:1 SHEET SIZE: C
	SURFACE FINISH: ✓ BREAK ALL SHARP EDGES DIMENSIONAL LIMITS APPLY AFTER FINISHING THIRD ANGLE PROJECTION	SHEET: 4 OF 6 PART NUMBER: MDS-14H-I-JF-X-X-X	REV:	TITLE:
	THIS DRAWING IS THE PROPERTY OF MACRON DYNAMICS ANY REPRODUCTIONS SHALL BE FOR QUOTATION, MANUFACTURING OR PURCHASING PURPOSES ONLY. RELEASE OF DRAWINGS TO OTHER CONCERNS DOES NOT CONSTITUTE LICENSING IN ANY WAY. INFORMATION CONTAINED HEREIN IS PROPRIETARY AND CONFIDENTIAL.	SHEET: 4 OF 6 PART NUMBER: MDS-14H-I-JF-X-X-X	REV:	TITLE:

MOTOR SIZING WORKSHEET

(INCREMENTAL ADDERS REFER TO MASS PER TRAVEL LENGTH)

BASE VALUES USED:
 X TRAVEL = 150mm
 CENTER TO CENTER (CTC) = 500mm




PROPERTY	BASE VALUE (T=150mm, CTC=500mm)
MOVING MASS	13.019kg(+0.057kg/25mm)
BELT MASS	1.088kg(+0.034kg/25mm)
PULLEY PITCH ϕ	89.13mm (3.509")
PULLEY WIDTH	55mm (2.160")
PULLEY MATERIAL	STEEL
TORQUE TUBE LENGTH	380mm
TORQUE TUBE ϕ	80mm
TORQUE TUBE MASS	2.426kg(+0.057kg/25mm)
TORQUE TUBE MATERIAL	ANODIZED ALUMINUM ELASTOMER STYLE COUPLINGS WITH HUB
TRAVEL PER REV	280mm

X-TRAVEL = _____ mm
 CENTER TO CENTER (CTC) = _____ mm

NOTE: ALL SUPPLIED MASSES DO NOT INCLUDE
 CUSTOMER COMPONENTS (MOTORS, CABLES, ETC)

GEARBOX MASS (ADD TO SYSTEM MASS)	MPG-088	2.3kg
	MPG-118	5.8kg
	MRG-088	5.6kg
	MRG-118	15.0kg

TOTAL SYSTEM MASS		$(X \text{ TRAVEL} \times .0268) + (Y \text{ TRAVEL} \times .0086) + 43.51 = \text{kg}$	
 MACRON DYNAMICS INC	DRAWN BY: PHW CHECKED BY: LAST SAVED BY: Paul	DATE: 11/26/2017 DATE: DD/MM/YYYY DATE: 8/25/2020	MATERIAL: FINISH: SCALE: 1:1 SHEET SIZE: C
	UNLESS OTHERWISE SPECIFIED: DIMENSIONS ARE IN MILLIMETER TOLERANCES UNLESS NOTED OTHERWISE:		TITLE: MACRON 14H DUAL SYSTEM
	SURFACE FINISH <input checked="" type="checkbox"/>		SHEET: 5 OF 6 PART NUMBER: MDS-14H-I-JF-X-X-X
THIS DRAWING IS THE PROPERTY OF MACRON DYNAMICS. ANY REPRODUCTIONS SHALL BE FOR QUOTATION, MANUFACTURING, OR PURCHASING PURPOSES ONLY. RELEASE OF DRAWINGS TO OTHER CONCERNS DOES NOT CONSTITUTE LICENSING IN ANY WAY. INFORMATION CONTAINED HEREIN IS PROPRIETARY AND CONFIDENTIAL.			
BREAK ALL SHARP EDGES DIMENSIONAL LIMITS APPLY AFTER FINISHING THIRD ANGLE PROJECTION			

SPECIFICATIONS

Sensor Type	Inductive
Sensor Size	Fits all 8mm wide T-Slots
Operating Voltage	10-30 VDC
Voltage Drop Across Conducting Sensor	≤1.8 V at 100 mA
Number of Conductors (AWG)	3x26 AWG
Temperature Range	-40°C to 105°C

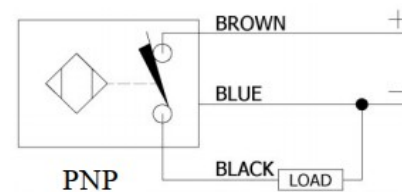
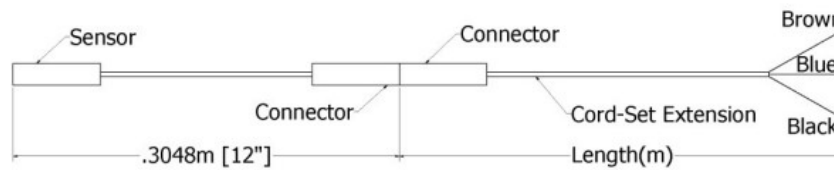
Part Number Configuration

244- _ _ _ - _ _ _

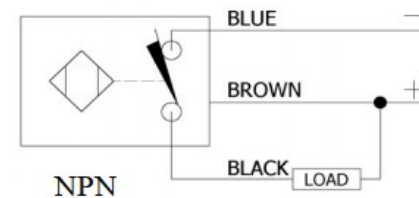
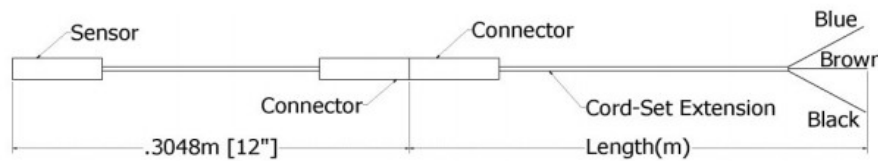
PNP or NPN	NC or NO	02	Meters
PNP or NPN	NC or NO	06	Meters
PNP or NPN	NC or NO	12	Meters

Example: PNP, normally closed, cord-set extension length 6 meters = 244-PNP-NC-06

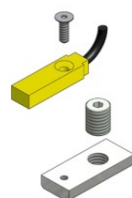
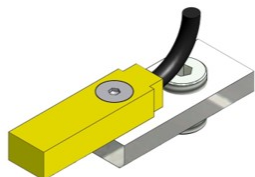
PNP Diagrams




NPN Diagrams



KIT INCLUDES – SENSOR, CORDSET EXTENSION, AND MOUNTING HARDWARE



 MACRON DYNAMICS INC	DRAWN BY: PHW DATE: 11/26/2017 CHECKED BY: DATE: DD/MM/YYYY LAST SAVED BY: Paul DATE: 8/25/2020	MATERIAL:	TITLE:
	UNLESS OTHERWISE SPECIFIED, DIMENSIONS ARE IN MILLIMETERS. TOLERANCES UNLESS NOTED OTHERWISE: .X ± .762 .XX ± .254 .XXX ± .127 ANG ± 0°30'	FINISH:	T-SLOT SENSOR KIT
	SURFACE FINISH <input checked="" type="checkbox"/> BREAK ALL SHARP EDGES DIMENSIONAL LIMITS APPLY AFTER FINISHING THIRD ANGLE PROJECTION	SHEET: 6 OF 6 PART NUMBER: MDS-14H-I-JF-X-X-X	SCALE: 1:1