

# MDC-R6D-E-BC---

PULLEY PITCH DIAMETER	47.75mm (1.880")
PULLEY WIDTH	28.9mm (1.138")
PULLEY MATERIAL	STEEL
BELT WEIGHT (kg)	$((\text{TRAVEL IN METERS} \times 2) + .82) \times .12$
TRAVEL PER REV.	150mm
TRAVEL MIN.	150mm
TRAVEL MAX.	5825mm
CART WEIGHT (kg)	1.41 PER CART
SYSTEM WEIGHT (kg)	$(\text{TRAVEL IN METERS} \times 3.9) + 6.4$

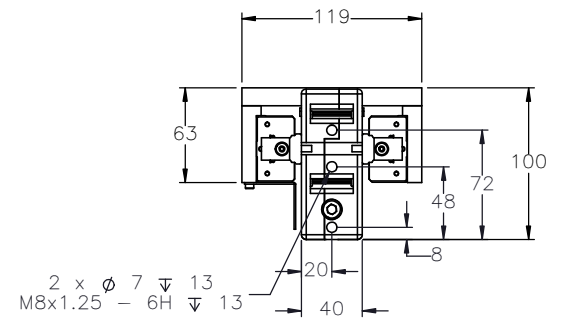
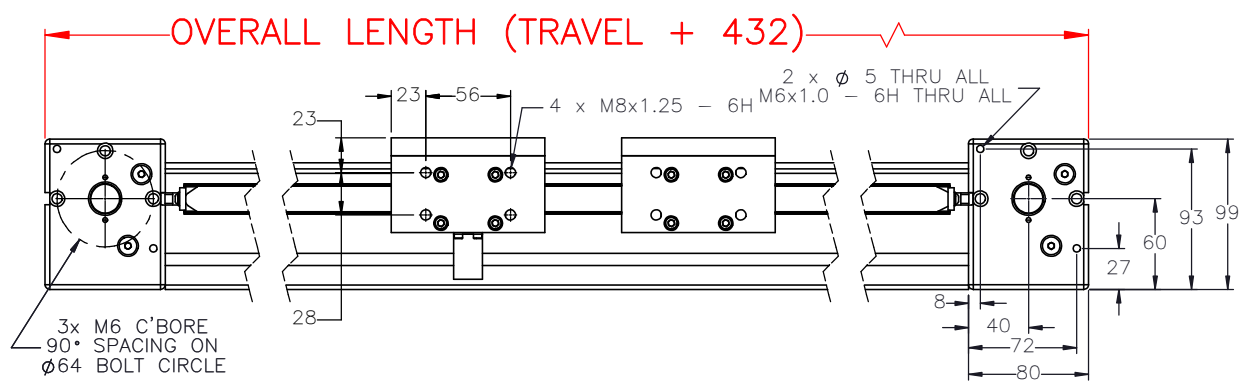
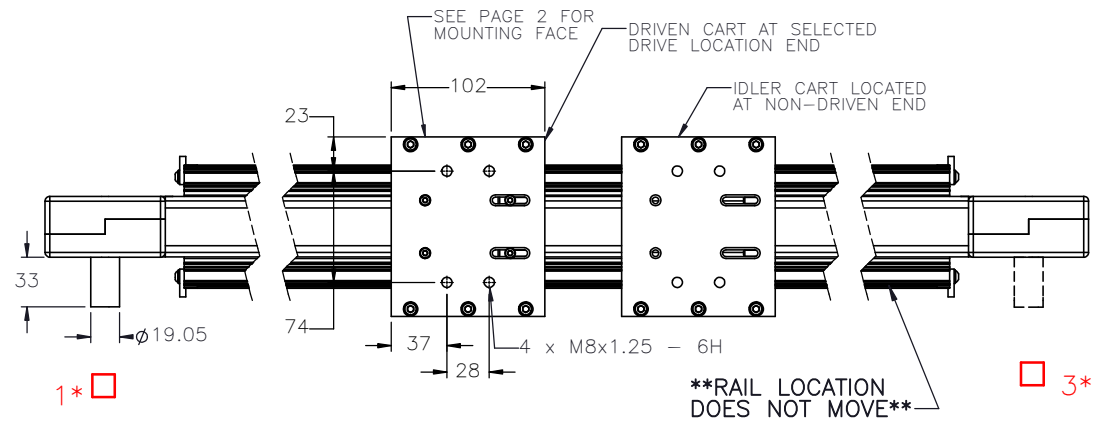
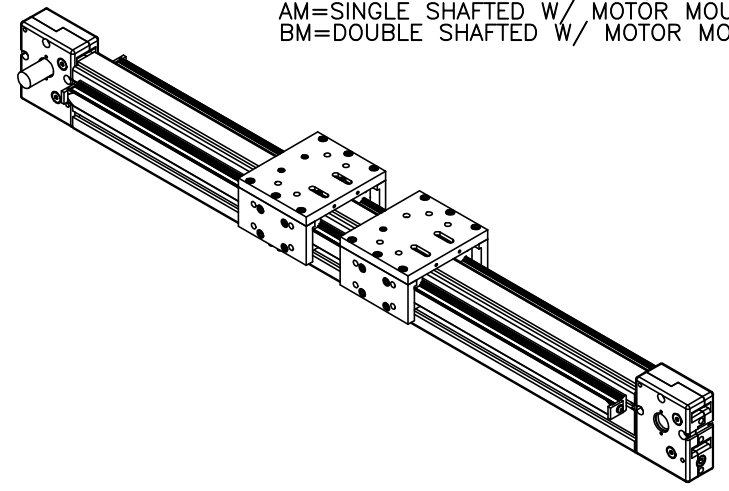
**ENTER**  
TRAVEL IN INCREMENTS OF 25mm

**SELECT**  
DRIVE SHAFT LOCATION\*

**SHAFTING TYPE**  
A0= SINGLE SHAFTED  
B0= DOUBLE SHAFTED

NOTE: (IF "B" IS USED THE NUMBER WILL DESIGNATE POSITION OF SHORT SHAFT. SECOND SHAFT WILL BE 50.8mm LONG.)

AM= SINGLE SHAFTED W/ MOTOR MOUNT  
BM= DOUBLE SHAFTED W/ MOTOR MOUNT



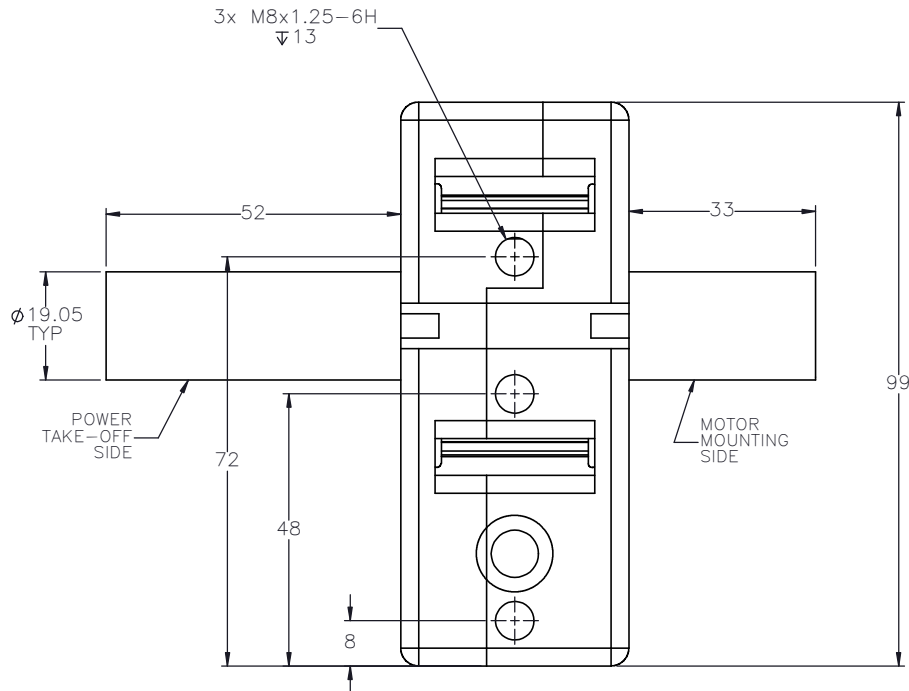
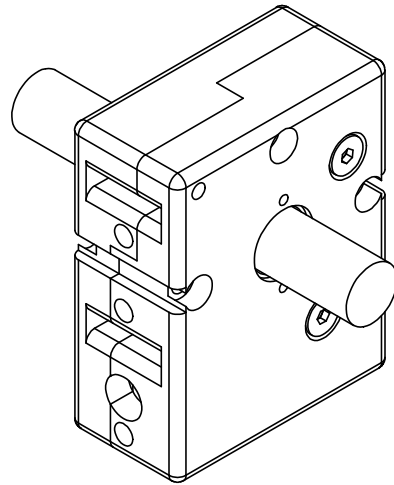
**APPROVED:** \_\_\_\_\_

**DATE:** \_\_\_\_\_

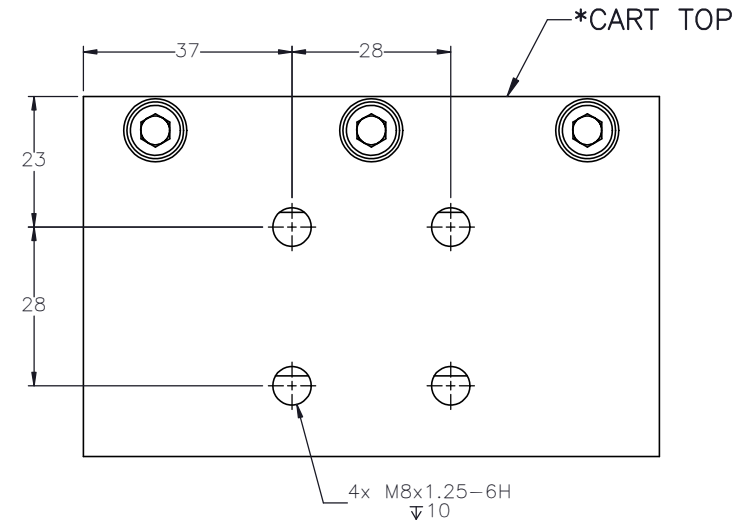
<p><b>MACRON DYNAMICS INC</b></p> <p><small>THIS DRAWING IS THE PROPERTY OF MACRON DYNAMICS. ANY REPRODUCTIONS SHALL BE FOR QUOTATION, MANUFACTURING OR PURCHASING PURPOSES ONLY. RELEASE OF DRAWINGS TO OTHER CONCERNS DOES NOT CONSTITUTE LICENSING IN ANY WAY. INFORMATION CONTAINED HEREIN IS PROPRIETARY AND CONFIDENTIAL.</small></p>	DRAWN BY: PHW    DATE: 11/26/2017    MATERIAL:	TITLE: <b>MACRON 6 DUAL                  CART RAIL                  ACTUATOR</b>
	CHECKED BY: --    DATE: DD/MM/YYYY	
	LAST SAVED BY: PHW    DATE: 8/3/2020	
	UNLESS OTHERWISE SPECIFIED: DIMENSIONS ARE IN INCHES: TOLERANCES UNLESS NOTED: .XX ± .010 .XXX ± .005 ANG ± 0°30'	
SURFACE FINISH: <input checked="" type="checkbox"/>	FINISH:	SCALE: 1:1    SHEET SIZE: C
BREAK ALL SHARP EDGES DIMENSIONAL LIMITS APPLY AFTER FINISHING <b>THIRD ANGLE PROJECTION</b>	SHEET: 1 OF 2    PART NUMBER: MDC-R6D	REV:

SPECIFICATIONS ARE SUBJECT TO CHANGE WITHOUT NOTICE

# DOUBLE SHAFTED PULLEY

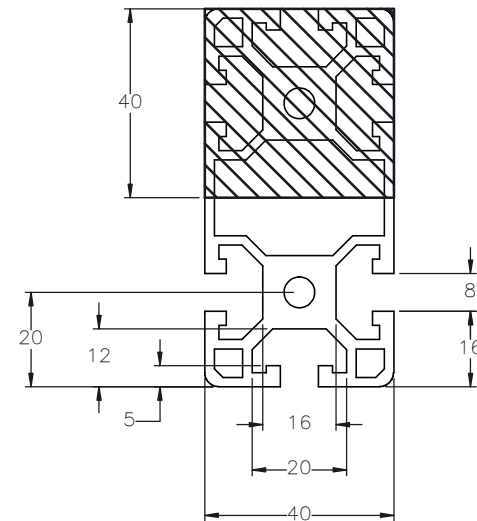


# CART MOUNTING FEATURES



# CUSTOMER ACCESSIBLE MOUNTING FEATURES, T-NUT SLOTS

SUGGESTED MOUNTING ACCESSORY  
MACRON P/N: M22138



MACRON DYNAMICS INC

DRAWN BY: PHW	DATE: 11/26/2017	MATERIAL:
CHECKED BY: --	DATE: DD/MM/YYYY	
LAST SAVED BY: Tim	DATE: 8/3/2020	
UNLESS OTHERWISE SPECIFIED, DIMENSIONS ARE IN INCHES. TOLERANCES UNLESS NOTED OTHERWISE:		FINISH:
.X ± .03	.XX ± .010	
.XXX ± .005	ANG ± 0°30'	

TITLE:  
PULLEY ASSY 40-25, DOUBLE SHAFTED, 3/4"

THIS DRAWING IS THE PROPERTY OF MACRON DYNAMICS. ANY REPRODUCTIONS SHALL BE FOR QUOTATION, MANUFACTURING OR PURCHASING PURPOSES ONLY. RELEASE OF DRAWINGS TO OTHER CONCERNS DOES NOT CONSTITUTE LICENSING IN ANY WAY. INFORMATION CONTAINED HEREIN IS PROPRIETARY AND CONFIDENTIAL.

SURFACE FINISH ✓  
BREAK ALL SHARP EDGES  
DIMENSIONAL LIMITS APPLY AFTER FINISHING  
THIRD ANGLE PROJECTION

SHEET 2 OF 2

PART NUMBER MDC-R6D  
SCALE 1:1  
SHEET SIZE C  
REV

SPECIFICATIONS ARE SUBJECT TO CHANGE WITHOUT NOTICE