

GEARBOX MODEL (X AXIS)
 MPG-064 ___ MPG-084 ___
 MRG-064 ___ MRG-084 ___
 RATIO: _____

GEARBOX MODEL (Y AXIS)
 MPG-064 ___ MPG-084 ___
 MRG-064 ___ MRG-084 ___
 RATIO: _____

GEARBOX MODEL (Z AXIS)
 MPG-064 ___ MPG-084 ___
 MRG-064 ___ MRG-084 ___

MCS-R6S- [] - [] - B []

ENTER Z-AXIS TRAVEL
 TRAVEL IN INCREMENTS OF 25mm
 TRAVEL LIMITS: 150mm-500mm

ENTER Y-AXIS TRAVEL
 TRAVEL IN INCREMENTS OF 25mm
 TRAVEL LIMITS: 150mm-1500mm

ENTER X-AXIS TRAVEL
 TRAVEL IN INCREMENTS OF 25mm
 TRAVEL LIMITS: 150mm-5825mm

FOR DIRECT DRIVE OPTION WITH MMK
 (NO GEARBOX) CHECK HERE: _____

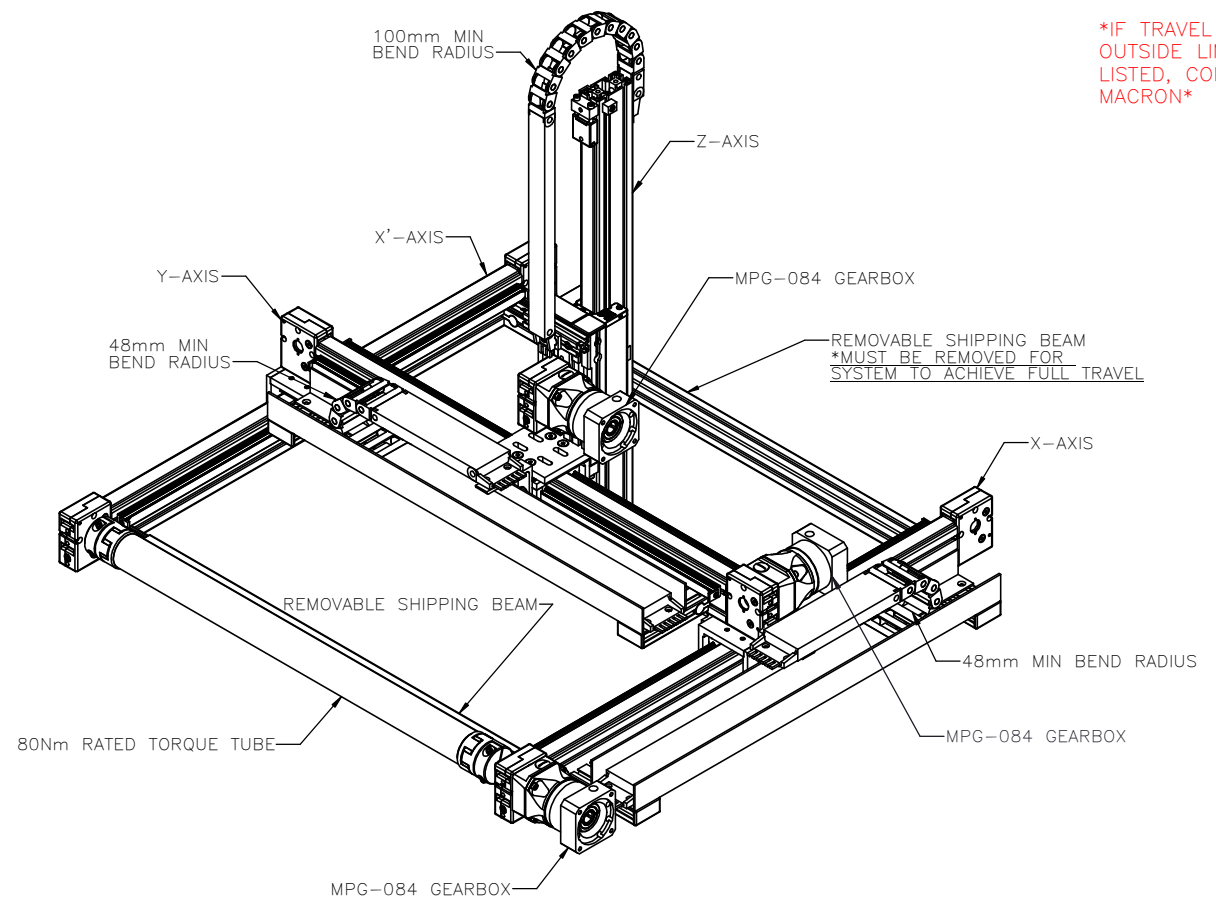
MOTOR INFORMATION (X AXIS)
 MANUFACTURER: _____
 MODEL: _____

MOTOR INFORMATION (Y AXIS)
 MANUFACTURER: _____
 MODEL: _____

MOTOR INFORMATION (Z AXIS)
 MANUFACTURER: _____
 MODEL: _____

SENSOR INFORMATION X-AXIS:
 HOME-QTY ___ 244-_____
 EOT-QTY ___ 244-_____
 SENSOR INFORMATION Y-AXIS:
 HOME-QTY ___ 244-_____
 EOT-QTY ___ 244-_____
 SENSOR INFORMATION Z-AXIS:
 HOME-QTY ___ 244-_____
 EOT-QTY ___ 244-_____

(SEE T-SLOT SENSOR KIT SHEET
 FOR PART NUMBER CONFIGURATION)



*IF TRAVEL IS
 OUTSIDE LIMITS
 LISTED, CONTACT
 MACRON*

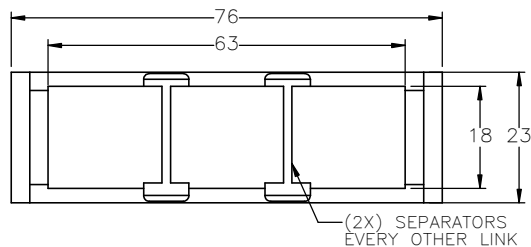
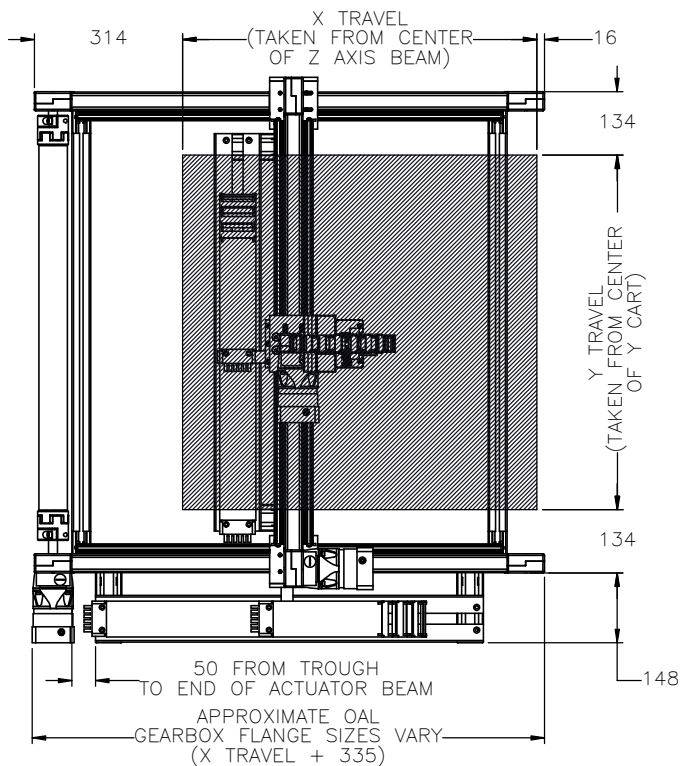
APPROVED: _____
 SIGN & PRINT

DATE: _____

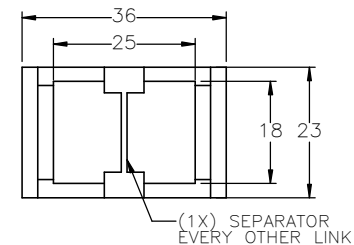
PO:REFERENCE#: _____

	DRAWN BY: PHW DATE: 11/26/2017 CHECKED BY: -- DATE: DD/MM/YYYY LAST SAVED BY: Tim DATE: 9/22/2020	MATERIAL:	TITLE:
	UNLESS OTHERWISE SPECIFIED: DIMENSIONS ARE IN MILLIMETERS TOLERANCES UNLESS NOTED: .XX ± .254 .XXX ± .127 OTHERWISE: ANG ± 0°30'	FINISH:	MACRON R6S XYZ GANTRY
	SURFACE FINISH: <input checked="" type="checkbox"/> BREAK ALL SHARP EDGES	SHEET: 1 OF 26	PART NUMBER: MCS-R6S-X-X-BX
THIS DRAWING IS THE PROPERTY OF MACRON DYNAMICS. ANY REPRODUCTIONS SHALL BE FOR QUOTATION, MANUFACTURING OR PURCHASING PURPOSES ONLY. RELEASE OF DRAWINGS TO OTHER CONCERNS DOES NOT CONSTITUTE LICENSING IN ANY WAY. INFORMATION CONTAINED HEREIN IS PROPRIETARY AND CONFIDENTIAL.			

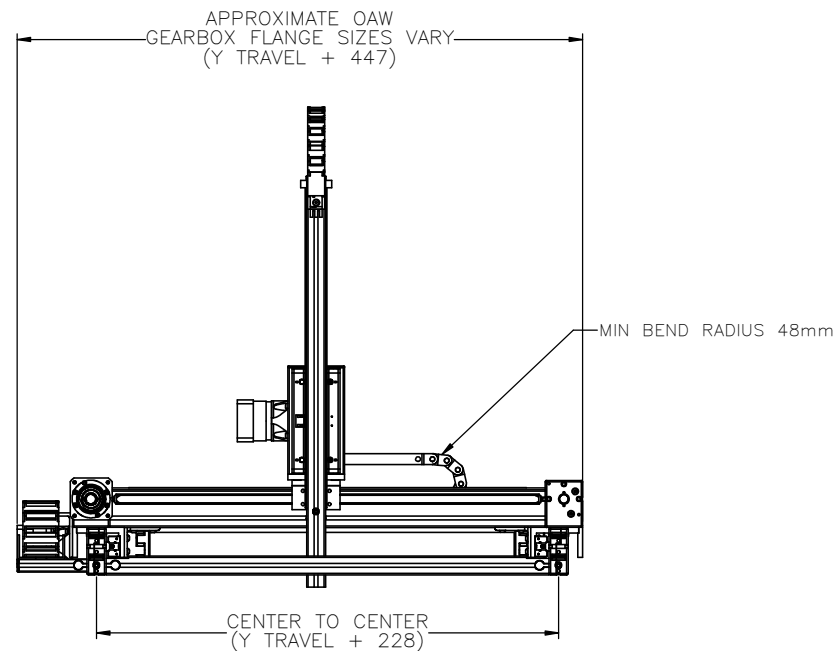
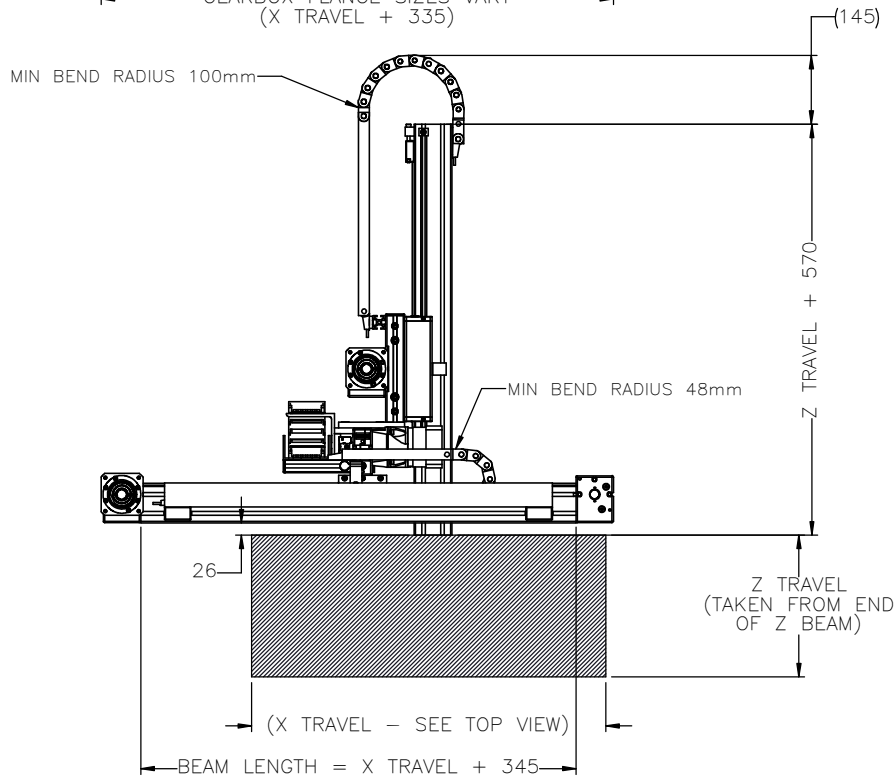
WORK ENVELOPE AND GANTRY FOOTPRINT




CABLE TRACK CROSS SECTION
(SAME FOR X AND Y AXIS)

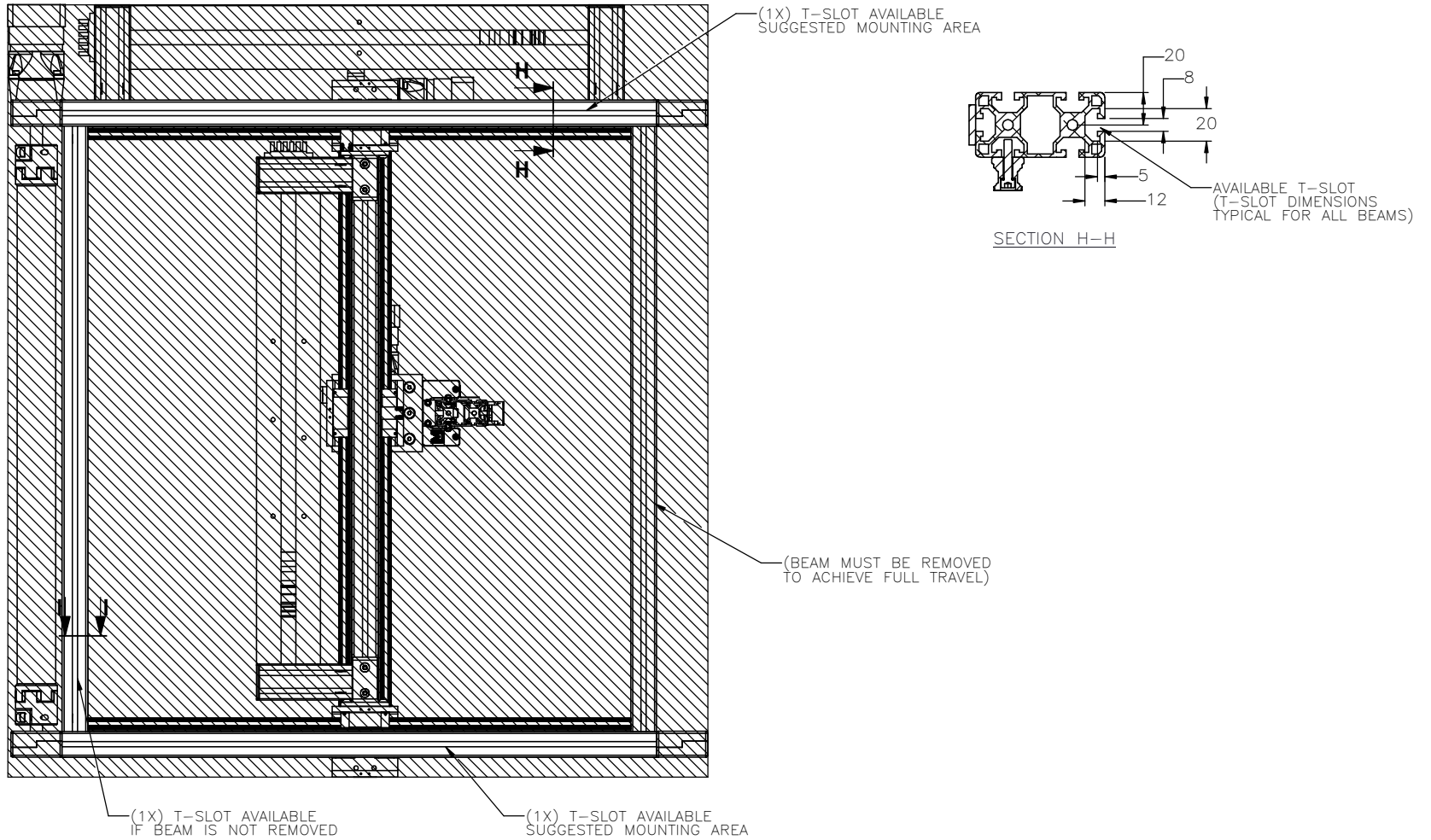


Z CABLE TRACK CROSS SECTION

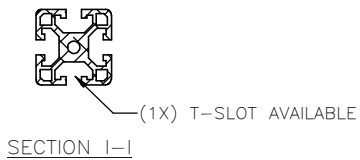



 MACRON DYNAMICS INC	DRAWN BY: PHW CHECKED BY: --- LAST SAVED BY: Tim	DATE: 11/26/2017 DATE: DD/MM/YYYY DATE: 9/22/2020	MATERIAL:	TITLE: MACRON R6S XYZ GANTRY
	UNLESS OTHERWISE SPECIFIED, DIMENSIONS ARE IN INCHES. TOLERANCES UNLESS NOTED OTHERWISE:		FINISH:	SCALE: 1:1 SHEET SIZE: C
	SURFACE FINISH: #3		SHEET: 2 OF 26	PART NUMBER: MCS-R6S-X-X-BX
	THIS DRAWING IS THE PROPERTY OF MACRON DYNAMICS. ANY REPRODUCTIONS SHALL BE FOR QUOTATION, MANUFACTURING OR PURCHASING PURPOSES ONLY. RELEASE OF DRAWINGS TO OTHER CONCERNS DOES NOT CONSTITUTE LICENSING IN ANY WAY. INFORMATION CONTAINED HEREIN IS PROPRIETARY AND CONFIDENTIAL.		BREAK ALL SHARP EDGES DIMENSIONAL LIMITS APPLY AFTER FINISHING THIRD ANGLE PROJECTION	

GANTRY MOUNTING FEATURES



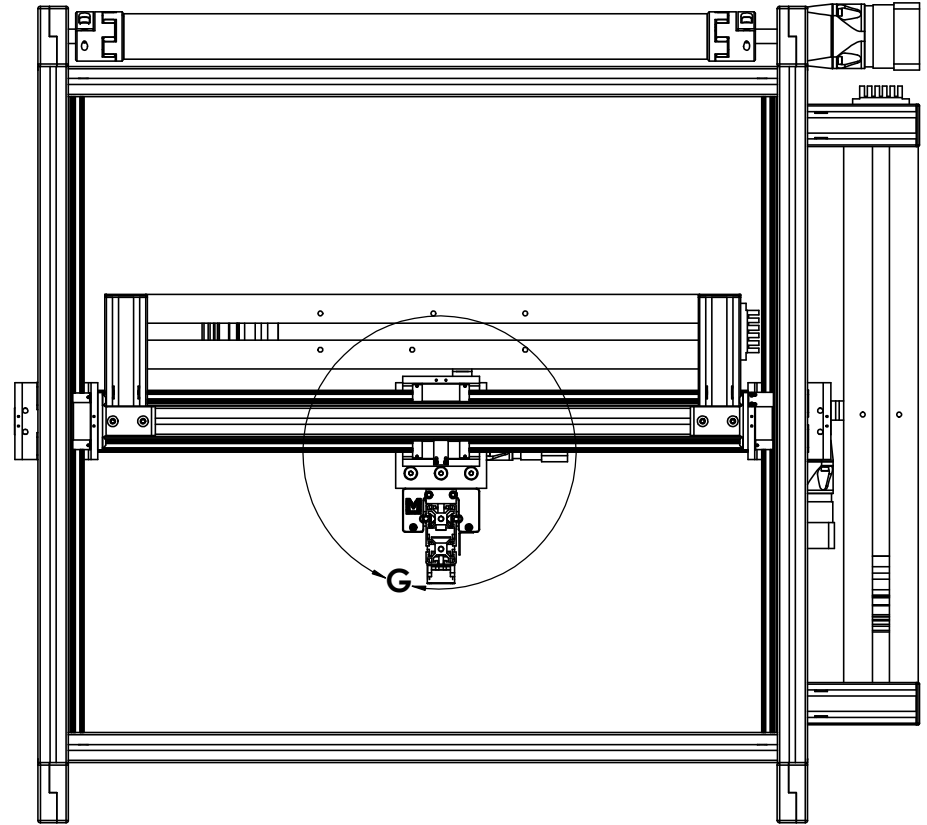
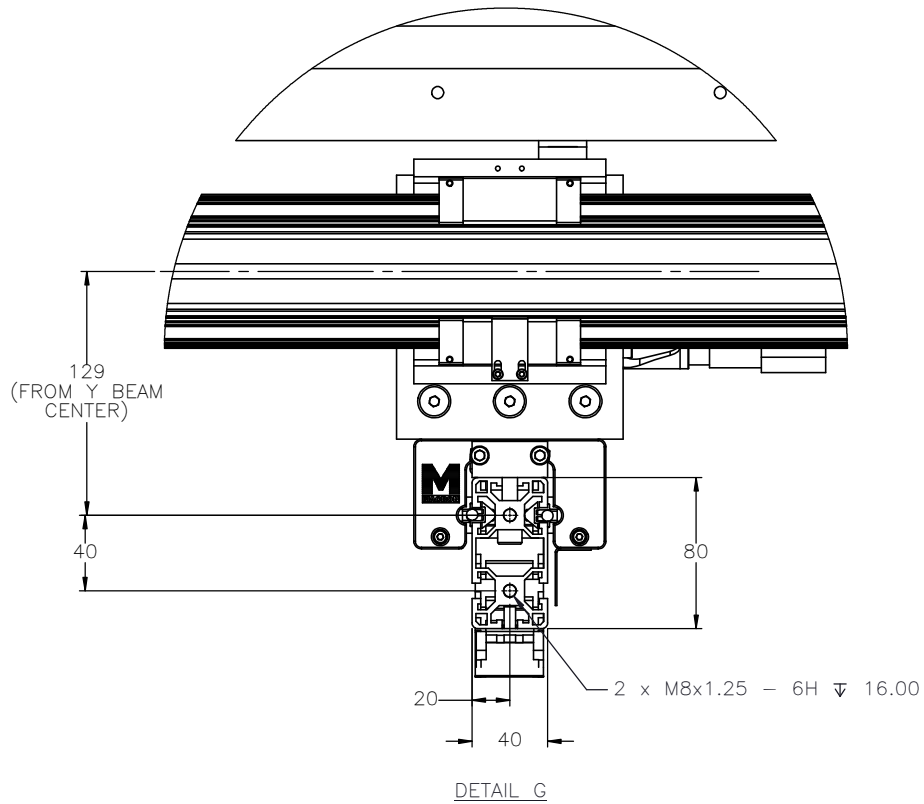
BOTTOM VIEW




 MACRON DYNAMICS INC	DRAWN BY: PHW DATE: 11/26/2017	MATERIAL:	TITLE:
	CHECKED BY: --- DATE: DD/MM/YYYY	FINISH:	MACRON R6S XYZ GANTRY
	LAST SAVED BY: Tim DATE: 9/22/2020		
UNLESS OTHERWISE SPECIFIED, DIMENSIONS ARE IN INCHES. TOLERANCES UNLESS NOTED OTHERWISE:			
.X ± .762 .XX ± .254 .XXX ± .127 ANG ± 0°30'			
SURFACE FINISH 63		SCALE 1:1 SHEET SIZE C	
BREAK ALL SHARP EDGES DIMENSIONAL LIMITS APPLY AFTER FINISHING THIRD ANGLE PROJECTION		SHEET PART NUMBER	REV
3 OF 26		MCS-R6S-X-X-BX	

THIS DRAWING IS THE PROPERTY OF MACRON DYNAMICS. ANY REPRODUCTIONS SHALL BE FOR QUOTATION, MANUFACTURING, OR PURCHASING PURPOSES ONLY. RELEASE OF DRAWINGS TO OTHER CONCERNS DOES NOT CONSTITUTE LICENSING IN ANY WAY. INFORMATION CONTAINED HEREIN IS PROPRIETARY AND CONFIDENTIAL.

CART MOUNTING FEATURES



BOTTOM VIEW

 MACRON DYNAMICS INC	DRAWN BY: PHW DATE: 11/26/2017 CHECKED BY: --- DATE: DD/MM/YYYY LAST SAVED BY: Tim DATE: 9/22/2020	MATERIAL:	TITLE: MACRON R6S XYZ GANTRY
	UNLESS OTHERWISE SPECIFIED, DIMENSIONS ARE IN INCHES: TOLERANCES UNLESS NOTED: .X ± .762 .XX ± .254 .XXX ± .127 OTHERWISE: ANG ± 0°30'	FINISH:	
	SURFACE FINISH 63 BREAK ALL SHARP EDGES DIMENSIONAL LIMITS APPLY AFTER FINISHING THIRD ANGLE PROJECTION	SHEET: 4 OF 26 PART NUMBER: MCS-R6S-X-X-BX	

THIS DRAWING IS THE PROPERTY OF MACRON DYNAMICS. ANY REPRODUCTIONS SHALL BE FOR QUOTATION, MANUFACTURING, OR PURCHASING PURPOSES ONLY. RELEASE OF DRAWINGS TO OTHER CONCERNS DOES NOT CONSTITUTE LICENSING IN ANY WAY. INFORMATION CONTAINED HEREIN IS PROPRIETARY AND CONFIDENTIAL.

MOTOR SIZING WORKSHEET

(INCREMENTAL ADDERS REFER TO MASS PER TRAVEL LENGTH)

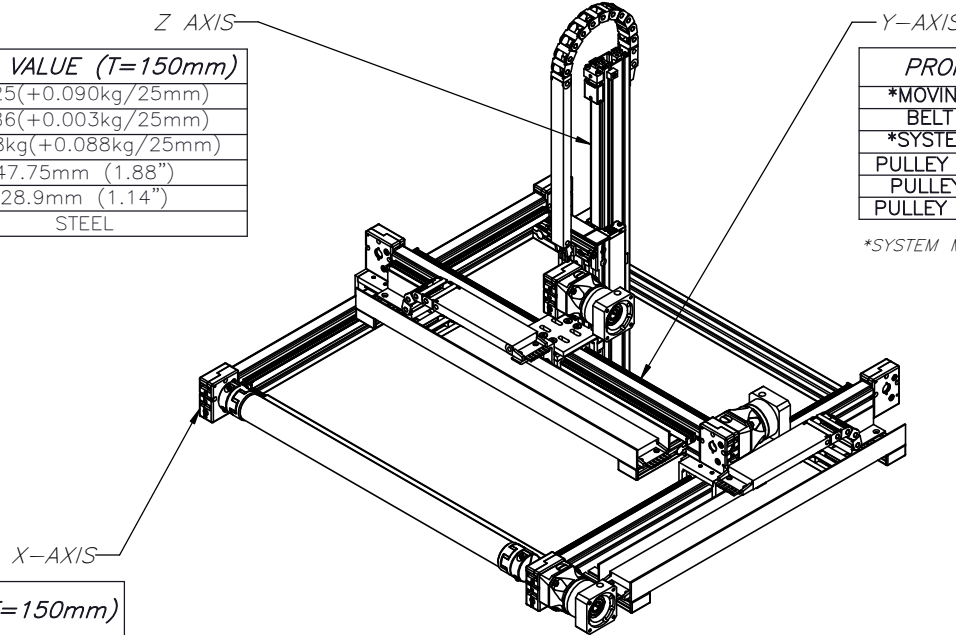
BASE TRAVELS USED:

X TRAVEL = 150mm
 Y TRAVEL = 150mm
 Z TRAVEL = 150mm

PROPERTY	BASE VALUE (T=150mm)
MOVING MASS	2.925(+0.090kg/25mm)
BELT MASS	0.086(+0.003kg/25mm)
SYSTEM MASS	7.788kg(+0.088kg/25mm)
PULLEY PITCH ϕ	47.75mm (1.88")
PULLEY WIDTH	28.9mm (1.14")
PULLEY MATERIAL	STEEL

PROPERTY	BASE VALUE (T=150mm)
*MOVING MASS	2.215(+0.022kg/25mm)
BELT MASS	0.109(+0.006kg/25mm)
*SYSTEM MASS	6.544(+0.156kg/25mm)
PULLEY PITCH ϕ	47.75mm (1.88")
PULLEY WIDTH	28.9mm (1.14")
PULLEY MATERIAL	STEEL

*SYSTEM MASS OF Z AXIS NEEDS TO BE ADDED TO THIS



PROPERTY	BASE VALUE (T=150mm)
**MOVING MASS	2.861kg(+0.028kg/25mm)
BELT MASS	0.218kg(0.012kg/25mm)
PULLEY PITCH ϕ	47.75mm (1.88")
PULLEY WIDTH	28.9mm (1.14")
PULLEY MATERIAL	STEEL
***TORQUE TUBE LENGTH	299mm
TORQUE TUBE ϕ	60mm
***TORQUE TUBE MASS	1.311kg(+0.036kg/25mm)
TORQUE TUBE MATERIAL	ANODIZED ALUMINUM ELASTOMER STYLE COUPLINGS WITH HUB
TRAVEL PER REV	150mm

X TRAVEL = _____ mm
 Y TRAVEL = _____ mm
 Z TRAVEL = _____ mm

NOTE: ALL SUPPLIED MASSES DO NOT INCLUDE CUSTOMER COMPONENTS (MOTORS, CABLES, ETC)

GEARBOX MASS (ADD TO SYSTEM MASSES)	MPG-064	1.0kg
	MPG-084	2.3kg
	MPG-114	5.8kg
	MRG-064	3.0kg
	MRG-084	5.6kg
	MRG-114	15.0kg

TOTAL SYSTEM MASS	$(X \text{ TRAVEL} \times .0093) + (Y \text{ TRAVEL} \times .0105) + (Z \text{ TRAVEL} \times .0034) + 22.82$
-------------------	---

**SYSTEM MASS OF Y-AXIS NEEDS TO BE ADDED TO THIS

***BASE VALUE AT Y TRAVEL = 150mm

	DRAWN BY: PHW DATE: 11/26/2017 CHECKED BY: -- DATE: DD/MM/YYYY LAST SAVED BY: JA DATE: 9/22/2020	MATERIAL:	TITLE:
	UNLESS OTHERWISE SPECIFIED: DIMENSIONS ARE IN MILLIMETER TOLERANCES UNLESS NOTED: OTHERWISE: ANG ± 0°30'	FINISH:	MACRON R6S XYZ GANTRY
THIS DRAWING IS THE PROPERTY OF MACRON DYNAMICS. ANY REPRODUCTIONS SHALL BE FOR QUOTATION, MANUFACTURING, OR PURCHASING PURPOSES ONLY. RELEASE OF DRAWINGS TO OTHER CONCERNS DOES NOT CONSTITUTE LICENSING IN ANY WAY. INFORMATION CONTAINED HEREIN IS PROPRIETARY AND CONFIDENTIAL.	SURFACE FINISH <input checked="" type="checkbox"/> BREAK ALL SHARP EDGES DIMENSIONAL LIMITS APPLY AFTER FINISHING THIRD ANGLE PROJECTION	SHEET: 5 OF 26 PART NUMBER: MCS-R6S-X-X-BX	SCALE: 1:1 SHEET SIZE: C

SPECIFICATIONS

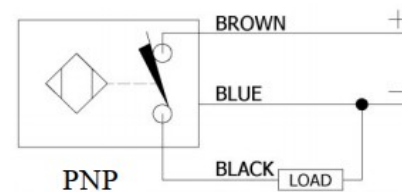
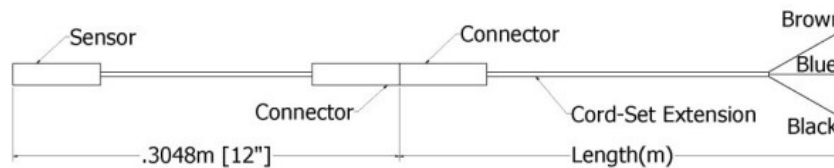
Sensor Type	Inductive
Sensor Size	Fits all 8mm wide T-Slots
Operating Voltage	10-30 VDC
Voltage Drop Across Conducting Sensor	≤1.8 V at 100 mA
Number of Conductors (AWG)	3x26 AWG
Temperature Range	-40°C to 105°C

Part Number Configuration
244- - - - -

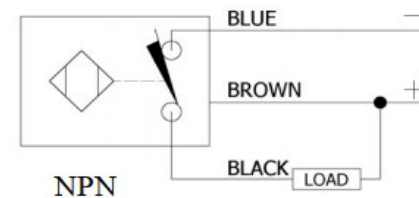
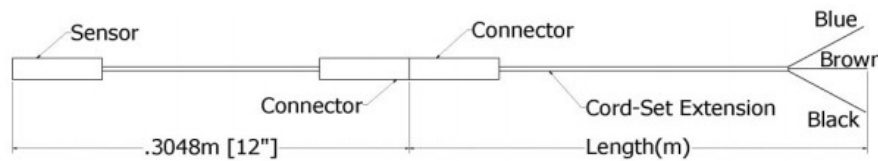
PNP or NPN	NC or NO	02	Meters
PNP or NPN	NC or NO	06	Meters
PNP or NPN	NC or NO	12	Meters

Example: PNP, normally closed, cord-set extension length 6 meters = 244-PNP-NC-06

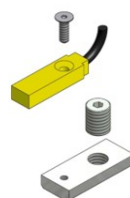
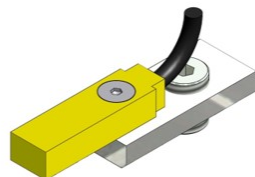
PNP Diagrams



NPN Diagrams



KIT INCLUDES – SENSOR, CORDSET EXTENSION, AND MOUNTING HARDWARE



<p>MACRON DYNAMICS INC</p>	DRAWN BY: PHW DATE: 11/26/2017 CHECKED BY: -- DATE: DD/MM/YYYY LAST SAVED BY: Paul DATE: 9/22/2020	MATERIAL:	TITLE:
	UNLESS OTHERWISE SPECIFIED, DIMENSIONS ARE IN MILLIMETERS. TOLERANCES UNLESS NOTED OTHERWISE:	FINISH:	T-SLOT SENSOR KIT
	SURFACE FINISH: <input checked="" type="checkbox"/> THIRD ANGLE PROJECTION	SCALE: 1:1	SHEET SIZE: C
	THIS DRAWING IS THE PROPERTY OF MACRON DYNAMICS. ANY REPRODUCTIONS SHALL BE FOR QUOTATION, MANUFACTURING, OR PURCHASING PURPOSES ONLY. RELEASE OF DRAWINGS TO OTHER CONCERNS DOES NOT CONSTITUTE LICENSING IN ANY WAY. INFORMATION CONTAINED HEREIN IS PROPRIETARY AND CONFIDENTIAL.	SHEET: 6 OF 26 PART NUMBER:	REV: