

MAA-R20-G-BC- -

PULLEY PITCH DIAMETER	47.75mm (1.880")
PULLEY WIDTH	28.9mm (1.138")
PULLEY MATERIAL	STEEL
BELT WEIGHT (kg)	$((\text{TRAVEL IN METERS} \times 2) + .99) \times .12$
TRAVEL PER REV.	150mm
TRAVEL MIN.	150mm
TRAVEL MAX.	3650mm
CART WEIGHT (kg)	1.81kg
SYSTEM WEIGHT (kg)	$(\text{TRAVEL IN METERS} \times 7.8) + 6.8$

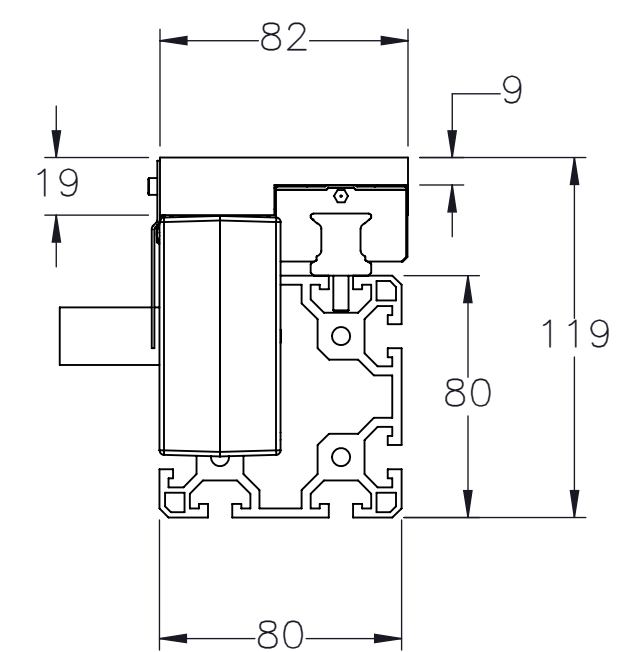
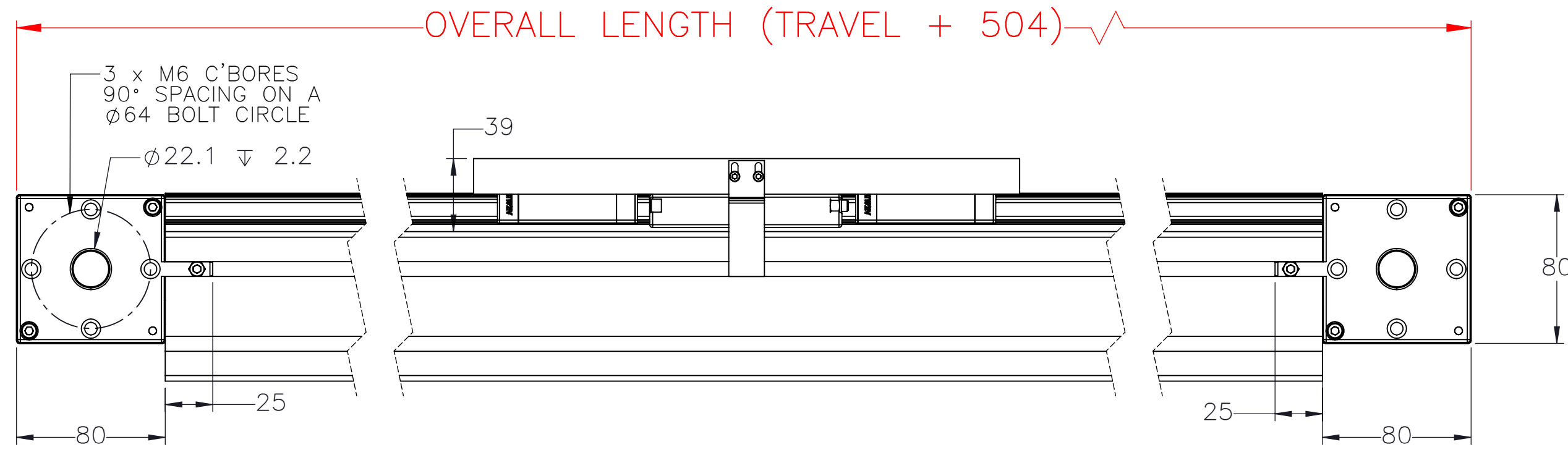
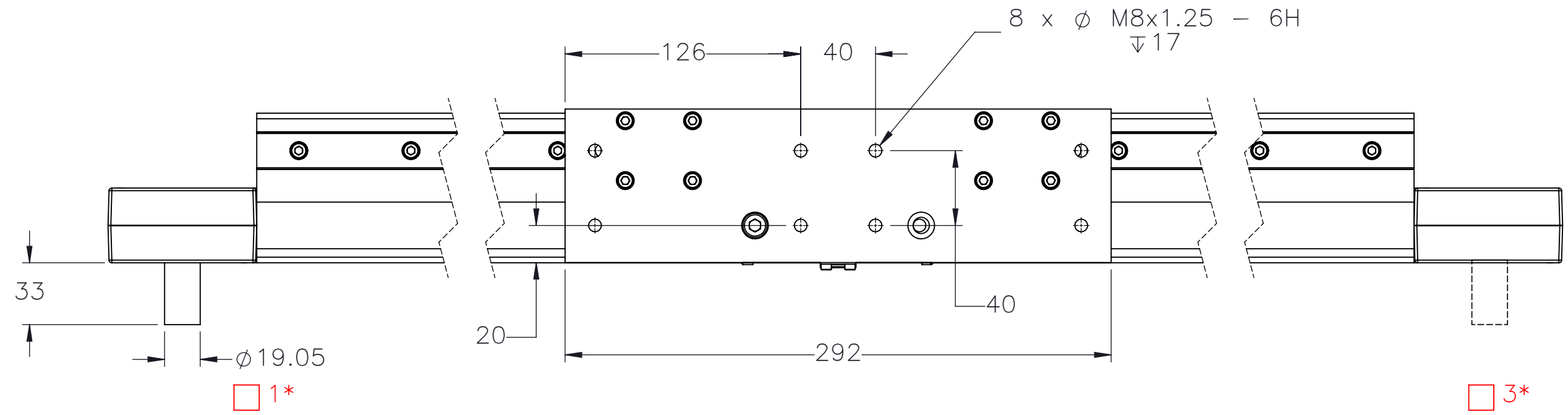
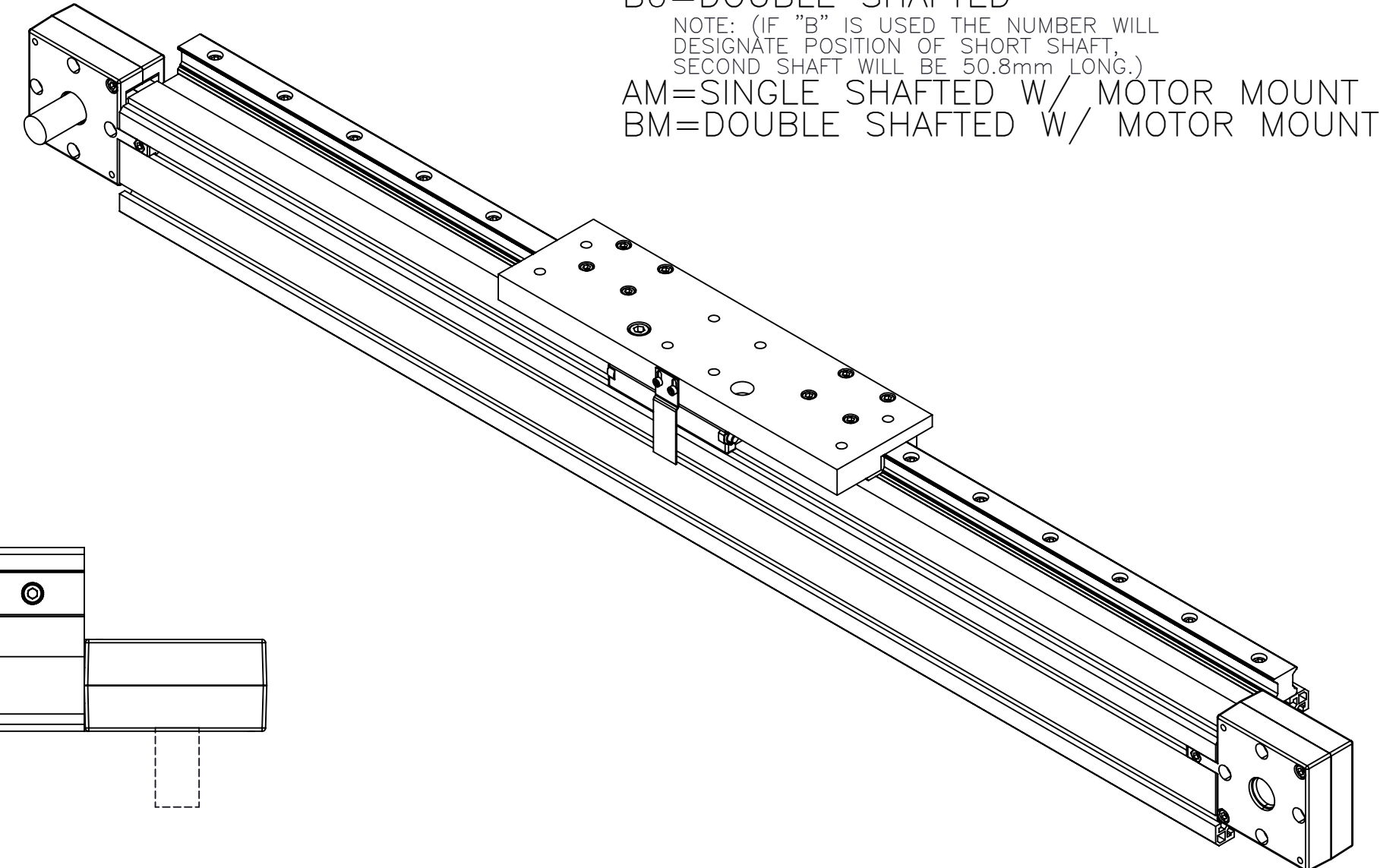
ENTER
TRAVEL IN INCREMENTS OF 25mm

SELECT
DRIVE SHAFT LOCATION*

SHAFTING TYPE
A0= SINGLE SHAFTED
B0= DOUBLE SHAFTED

NOTE: (IF "B" IS USED THE NUMBER WILL DESIGNATE POSITION OF SHORT SHAFT. SECOND SHAFT WILL BE 50.8mm LONG.)

AM= SINGLE SHAFTED W/ MOTOR MOUNT
BM= DOUBLE SHAFTED W/ MOTOR MOUNT



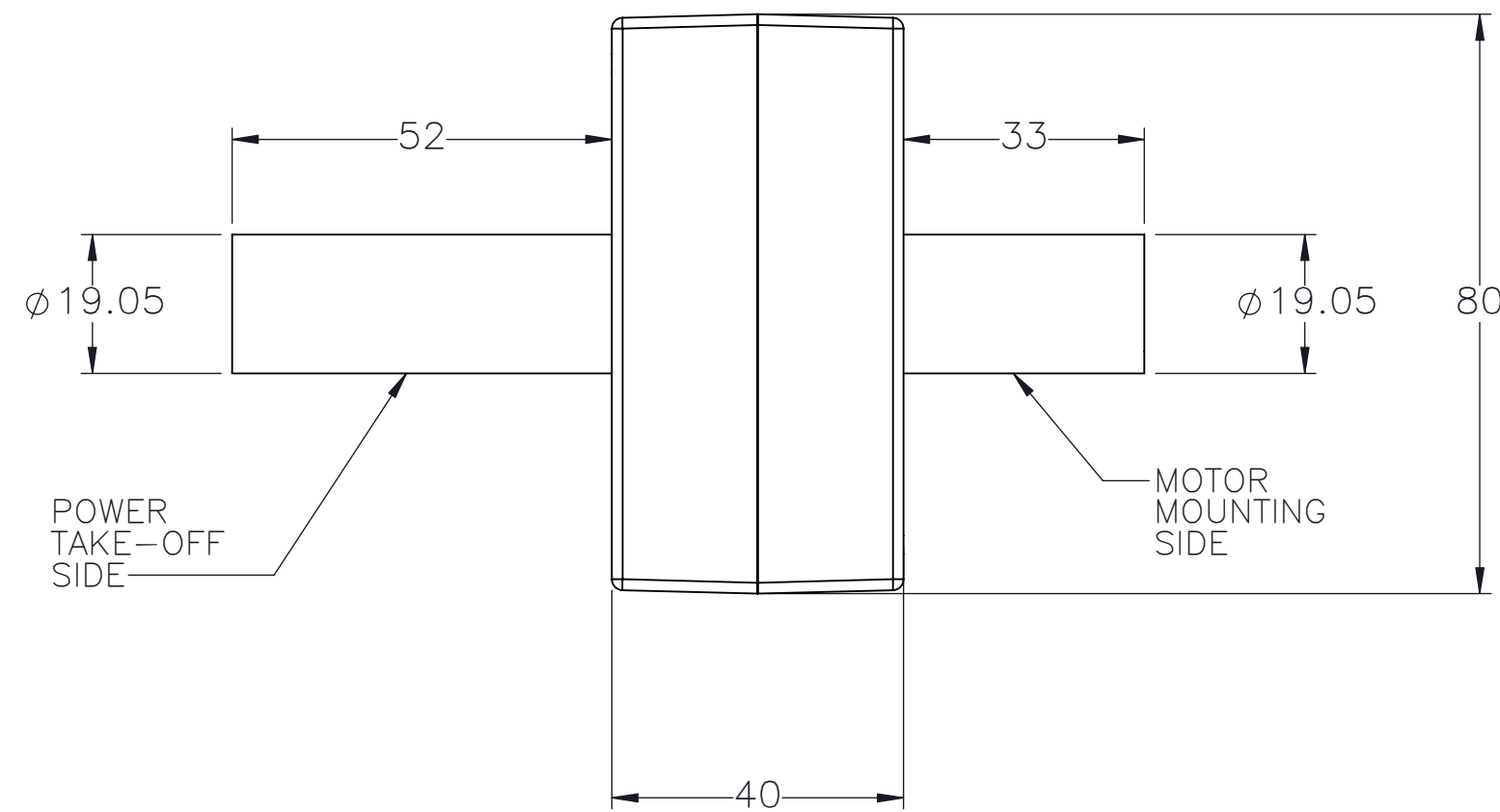
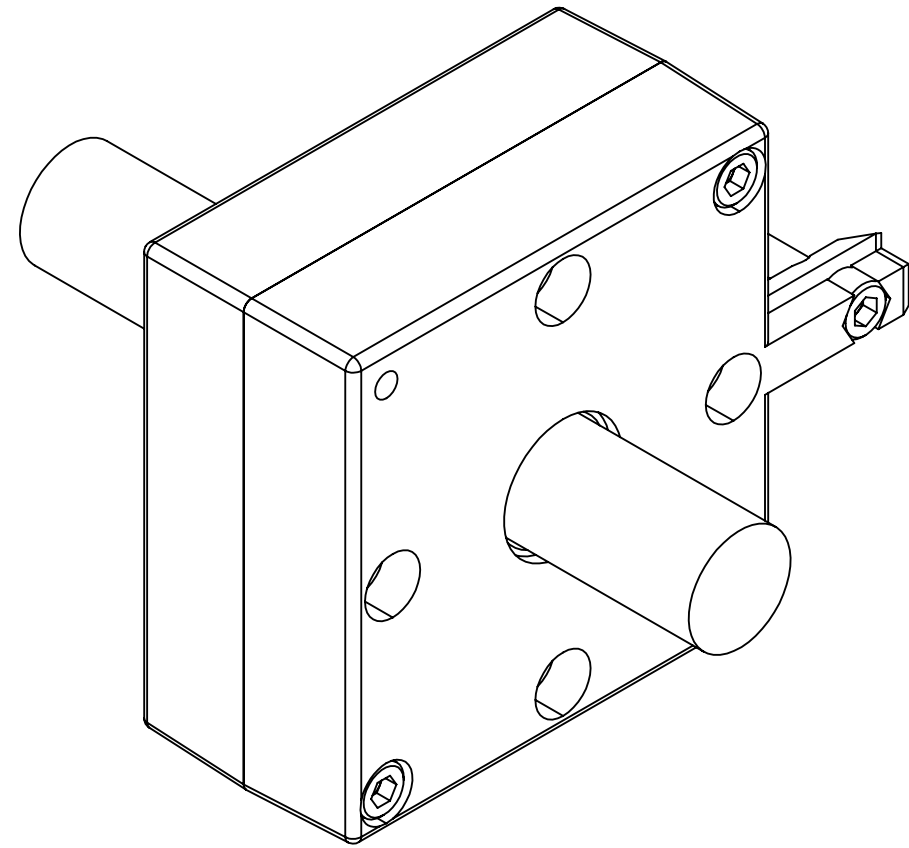
APPROVED: _____

DATE: _____

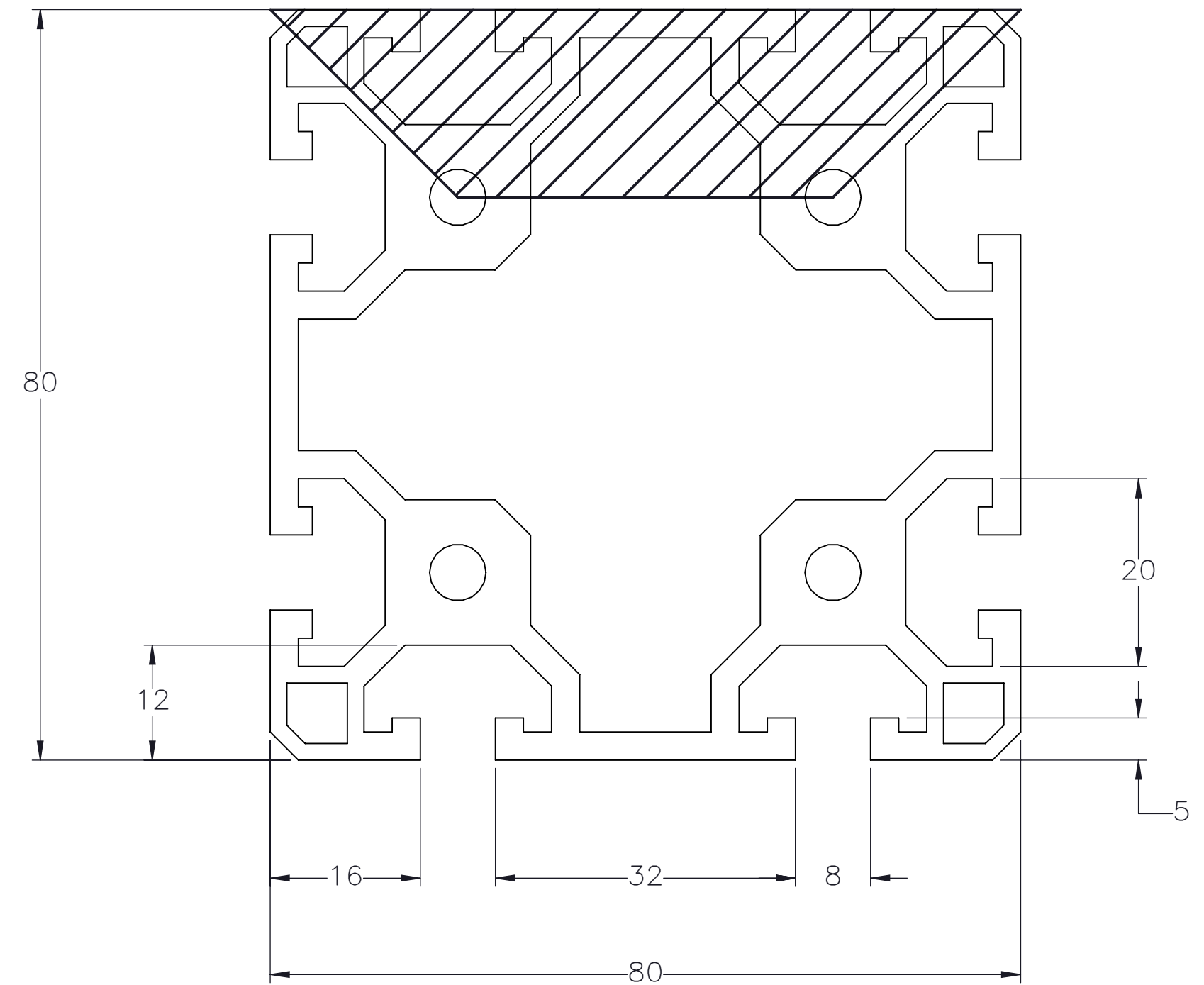
 MACRON DYNAMICS INC	DRAWN BY: PHW DATE: 11/26/2017 CHECKED BY: -- DATE: DD/MM/YYYY LAST SAVED BY: Tim DATE: 8/7/2023	MATERIAL:	TITLE: MACRON RAIL ACTUATOR	
	UNLESS OTHERWISE SPECIFIED, DIMENSIONS ARE IN INCHES. TOLERANCES UNLESS NOTED OTHERWISE: .X ± .03 .XX ± .010 .XXX ± .005 ANG ± 0°30'	FINISH:		
	SURFACE FINISH \checkmark	SCALE 1:1 SHEET SIZE C	SHEET	REV
	THIS DRAWING IS THE PROPERTY OF MACRON DYNAMICS. ANY REPRODUCTIONS SHALL BE FOR QUOTATION, MANUFACTURING, OR PURCHASING PURPOSES ONLY. RELEASE OF DRAWINGS TO OTHER CONCERNS DOES NOT CONSTITUTE LICENSING IN ANY WAY. INFORMATION CONTAINED HEREIN IS PROPRIETARY AND CONFIDENTIAL.	BREAK ALL SHARP EDGES DIMENSIONAL LIMITS APPLY AFTER FINISHING THIRD ANGLE PROJECTION	1 OF 2	PART NUMBER MAA-R20

SPECIFICATIONS ARE SUBJECT TO CHANGE WITHOUT NOTICE

DOUBLE SHAFTED PULLEY



ACTUATOR BODY MOUNTING FEATURES T-NUT SLOTS



MACRON DYNAMICS INC

THIS DRAWING IS THE PROPERTY OF MACRON DYNAMICS. ANY REPRODUCTIONS SHALL BE FOR QUOTATION, MANUFACTURING, OR PURCHASING PURPOSES ONLY. RELEASE OF DRAWINGS TO OTHER CONCERNS DOES NOT CONSTITUTE LICENSING IN ANY WAY. INFORMATION CONTAINED HEREIN IS PROPRIETARY AND CONFIDENTIAL.

SPECIFICATIONS ARE SUBJECT TO CHANGE WITHOUT NOTICE

DRAWN BY: PHW	DATE: 11/26/2017
CHECKED BY: --	DATE: DD/MM/YYYY
LAST SAVED BY: Tim	DATE: 8/7/2023

UNLESS OTHERWISE SPECIFIED, DIMENSIONS ARE IN INCHES. TOLERANCES UNLESS NOTED OTHERWISE:	.X ± .03
	.XX ± .010
	.XXX ± .005
	ANG ± 0°30'

SURFACE FINISH	63
----------------	----

BREAK ALL SHARP EDGES
DIMENSIONAL LIMITS APPLY AFTER FINISHING
THIRD ANGLE PROJECTION

MATERIAL:
FINISH:

SHEET	PART NUMBER
-------	-------------

2 OF 2	MAA-R20
--------	---------

TITLE: MACRON RAIL ACTUATOR

SCALE 1:1	SHEET SIZE C
-----------	--------------

REV	00
-----	----