



MGS-UC2



MGS-UC2 OPTIONS

X AXIS NOMINAL STANDARD TRAVEL (MM)

- 1000
- 1500
- 2000
- 2500
- 3000
- 3500
- 4000
- 4500
- 5000
- 5250
- Custom

Z AXIS NOMINAL STANDARD TRAVEL (MM)

- 250
- 500
- 750
- 1000
- Custom

OPTIONS FOR:

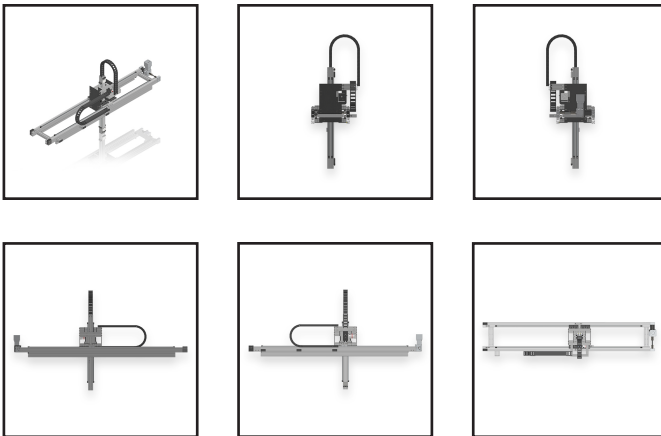
Sensors Gearbox Ratios

HOW TO BUILD YOUR MGS-UC2:

MGS - UC2 - **X** - x - **X**



Note: See mounting notes below for mounting relationship to payloads.



Macron Solutions Since 1987

MACRON DYNAMICS, INC.
100 Phyllis Drive
Croydon, PA 19021

1-800-MACRON-1 (1-800-622-7661)
Phone: 267-557-3590
Fax: 215-443-0981

© 2014 MACRON DYNAMICS, INC.

Macron Guarantee

All Macron actuators and belt drives are covered by our
1-Year Warranty



MGS-UC2

MOUNTING NOTES AND PAYLOAD RELATIONSHIP TABLE

X Axis Travels (mm)	Mounting Style	Acceptable Payload (lbs)
1000	'X' Axis Beams Mounted At Ends of Actuators	300
1500		212
2000		144
2500		76
3000		20
4000	'X' Axis Beams Require Supporting Structure Over Actuator Length	300
4500		
5000		
5250		

SPECIFICATIONS

Specifications	
Maximum Speed - mm/sec - X Axis [Z Axis]	10160 [10160]
Unsupported X Axis Travels - mm (in steps of 500mm)	1000 to 3000
Unsupported Payload - lbs. (Dependant on X Axis travel)	20 to 300
Supported X Axis Travels - mm (in steps of 500mm)	3500 to 5250
Maximum Payload - lbs.	300
Z Axis Travels - mm (in steps of 250mm)	250 to 1000
Repeatability - mm	+/-0.025
Positional Accuracy - mm / meter	+/-0.4
Acceleration Max. - G's (dependant on payload)	1 to 4

SPECIFICATIONS

Motor Sizing Information	
Weight of single shafted 40-25 drive pulley- 11.3oz.	X axis
Weight of double shafted 40-25 drive pulley- 17oz.	N/A
Weight of 40-25 idler pulley - 7.7oz.	X axis
Weight of single shafted 40-50 drive pulley- 28.4oz.	Z axis
Weight of 40-50 idler pulley - 26.4oz.	N/A
Weight of Z Axis Beam - lbs. (dependant on travel)	25 to 45
Weight of Complete Z Axis - lbs. (dependant on travel)	145 to 167
Travel per Revolution - mm	150
Pulley Pitch Diameter - mm	47.74
Pulley Material / Width - mm	steel / 25 & 50
Rolling Resistance - lbs. (worst case with max payload)	0.85
Weight	
Weight - lbs. (dependant on travels)	200 to 416
Sizing - See mounting notes and payload relationship table for guidance	
X Axis Nominal Length Standard Unsupported - m	**3
X Axis Nominal Standard Travels - mm	*1000 to 5250
Z Axis Nominal Standard Travels - mm	*250 to 1000
* note: axes may be configured in lengths shorter or longer than standard ** note: for lengths longer than standard contact Macron for a MacBUILT option	

Macron Solutions Since 1987

MACRON DYNAMICS, INC.
100 Phyllis Drive
Croydon, PA 19021
© 2014 MACRON DYNAMICS, INC.

1-800-MACRON-1 (1-800-622-7661)
Phone: 267-557-3590
Fax: 215-443-0981

Macron Guarantee

All Macron actuators and belt drives are covered by our
1-Year Warranty