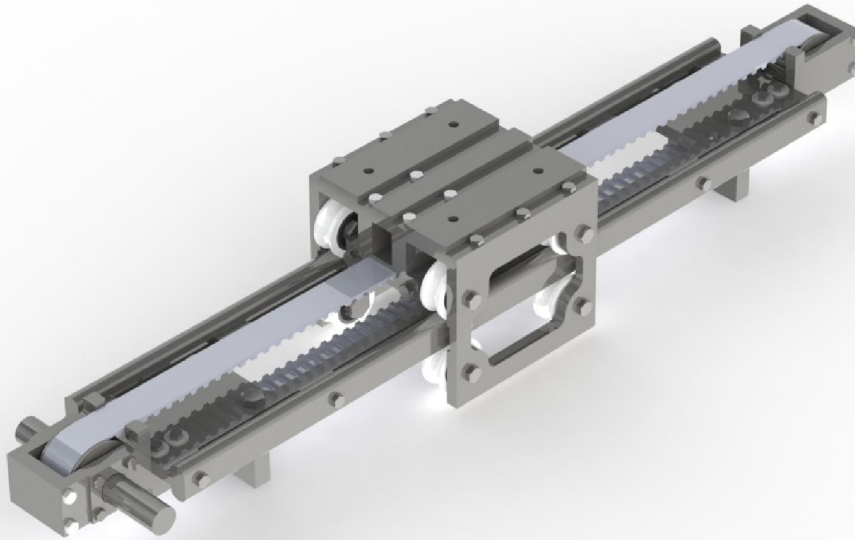


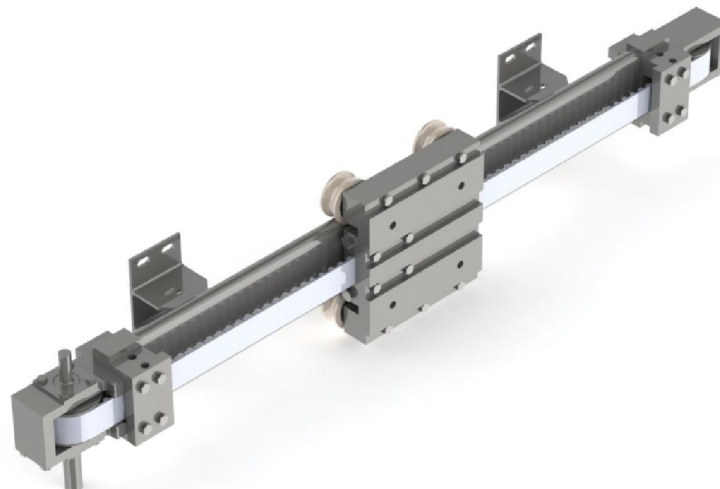


MacBUILT Specialty Products - Sanitary Actuator

Macron offers two styles of belt driven Sanitary actuator; MSA-SSB a beam style design and MSA-SST a tube based design. Both designs will stand up to applications requiring wash down sanitation. Stainless steel construction with open design ensures the actuators are non-reactive, non-contaminating, corrosion resistant and cleanable. The actuators are intended to provide linear motion solutions for non-food contact use.



MSA-SSB



MSA-SST



Features-

- Stainless steel guide rails, carts and pulley assemblies
- Stainless steel bearings with food grade lubricant
- Polyurethane belt with sealed stainless steel cords
- Delrin or PEEK track guide rollers
- Dual output one-piece pulley drive shaft
- Horizontal or Vertical orientation
- Standard and Custom travel lengths available up to 2 meters for MSA-SSB & 4 meters for MSA-SST

SST vs. SSB Dynamic Load Characteristics

