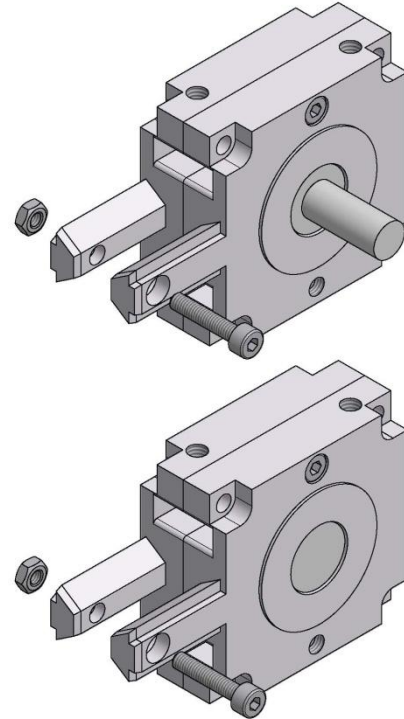




SPECIFICATIONS

Travel Per Revolution	105mm (4.134in)
Pulley Teeth	21
Pitch	5mm
Belt Width	12mm
Shipping Weight	0.94 lbs
Beam Compatibility	28x28, 28x56, PSC/NBC ACT. BODY

Pulley Assembly Kit PA_ - ABC



PULLEY WEIGHT

Description	Weight (oz.)
Shafted	4.7
Idler	4.3
Double Shafted	5.4

PARTS BREAKDOWN

Description	Qty/Kit
Pulley Assembly	1
M4 Nut	1
M4 Socket Head Cap Screw	1

Ex. PAS-ABC

P	A	—	—	A	B	C
		S-SHAFTED				
		I-IDLER				
		D-DOUBLE SHAFTED				