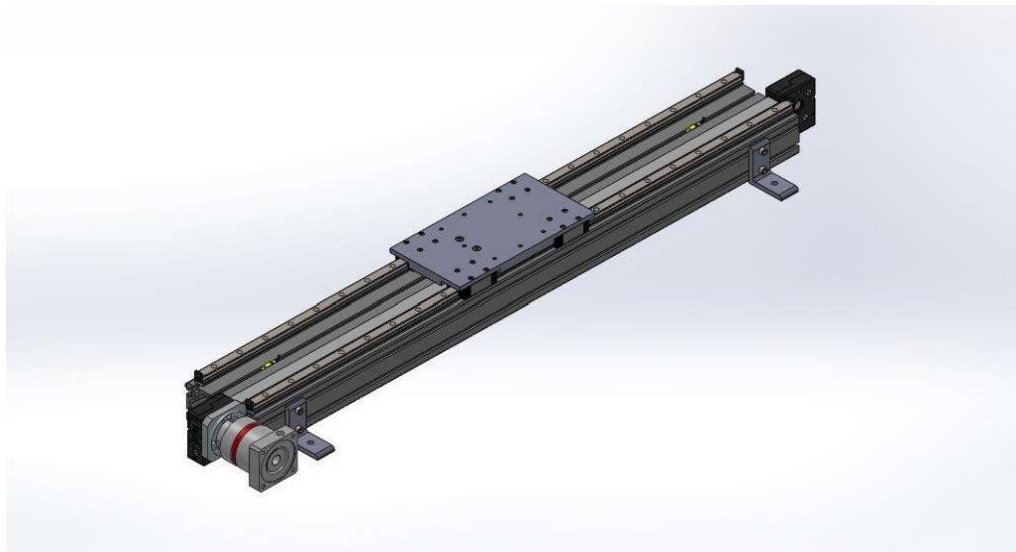




MSA-UR2



Features

- Reliable 7th axis motion for articulated robots
- Positional repeatability $\pm 0.5\text{mm}$ (0.02 inches)
- Speeds up to 5 m/s
- Rapid movement for sensitive loads such as six axis robotic units
- Extruded aluminum actuator body with T-slots for ease of mounting
- Easy to adjust belt tensioner
- One piece, machined and stress proof shafted pulley
- Corrosion resistant components

Specifications

Motion	Horizontal
Maximum Speed (m/s)	5
Load (lbs [kg])	2000 [907]
Repeatability (mm)	± 0.5
Max Moment Load (in-lbs [N-m])	22600 [3000]
Positional Accuracy (mm/m)	0.2
Maximum Acceleration (g's)	1
Beam dimensions (mm)	80x160
Belt Width (mm)	25
Travel Increments (mm [in])	250 [10]

Macron Solutions Since 1987

MACRON DYNAMICS, INC

100 Phyllis Drive

Croydon, PA 19021

© 2015 MACRON DYNAMICS, INC

1-800-MACRON-1 (1-800-622-7661)

Phone: 267-557-3590

Fax: 215-443-0981

Macron Guarantee

All Macron actuators and belt drives are covered by our

1-Year Warranty