

MSA-UR2-N-BC- -

PULLEY PITCH DIAMETER	47.75mm (1.880")
PULLEY WIDTH	28.9mm (1.138")
PULLEY MATERIAL	STEEL
BELT WEIGHT	.0063 lb/in or 2.9g/25mm
TRAVEL PER REV.	150mm
TRAVEL MIN.	150mm
TRAVEL MAX.	5650mm
CART MASS	9lbs

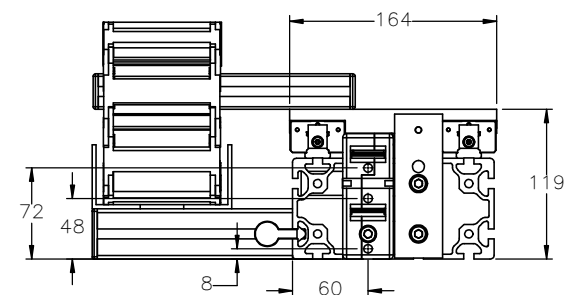
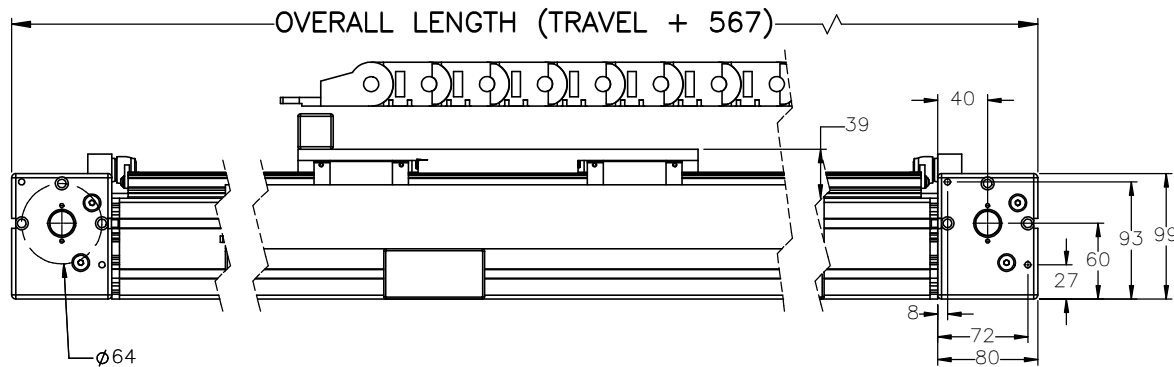
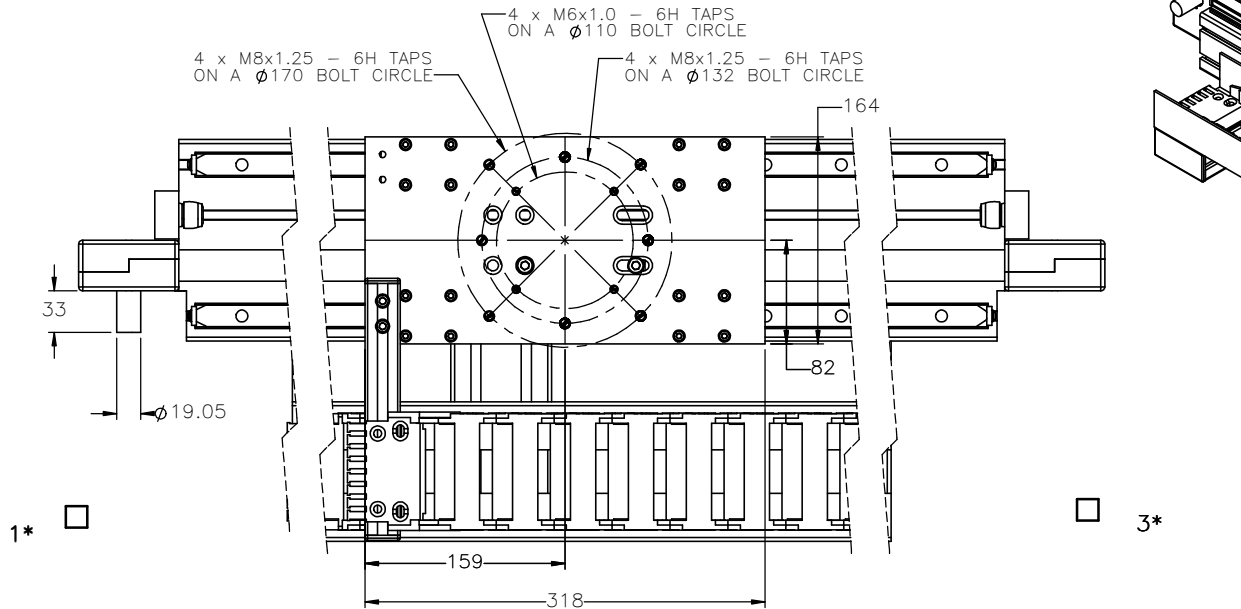
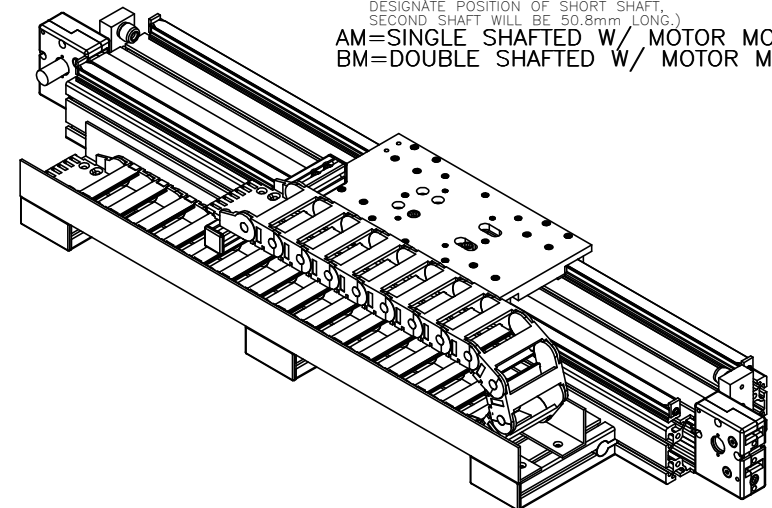
ENTER
TRAVEL IN INCREMENTS OF 25mm

SELECT
DRIVE SHAFT LOCATION*

SHAFTING TYPE
AO= SINGLE SHAFTED
BO= DOUBLE SHAFTED

NOTE: (IF "B" IS USED THE NUMBER WILL
DESIGNATE POSITION OF SHORT SHAFT.
SECOND SHAFT WILL BE 50.8mm LONG.)

AM= SINGLE SHAFTED W/ MOTOR MOUNT
BM= DOUBLE SHAFTED W/ MOTOR MOUNT



APPROVED: _____

DATE: _____



MACRON DYNAMICS INC

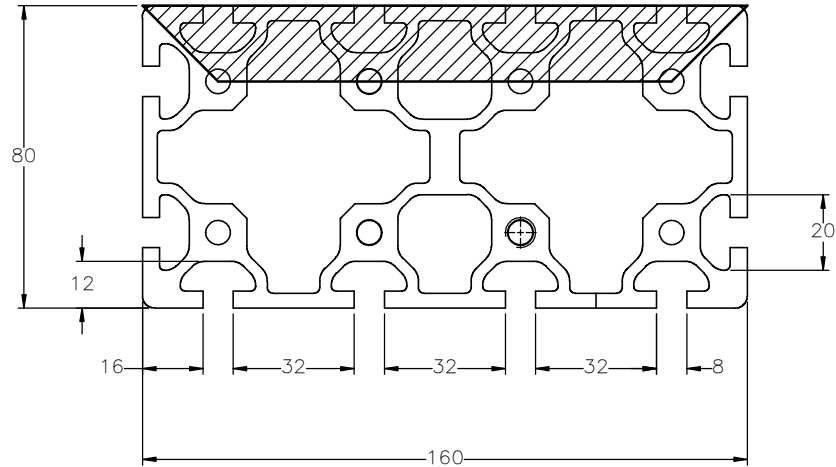
DRAWN BY: PHW	DATE: 3/6/2012	MATERIAL:
CHECKED BY: --	DATE: DD/MM/YYYY	
LAST SAVED BY: rwalls	DATE: 4/23/2018	
UNLESS OTHERWISE SPECIFIED, DIMENSIONS ARE IN INCHES. TOLERANCES UNLESS NOTED OTHERWISE:		FINISH:
.X ± .03	.XX ± .010	
.XXX ± .005	ANG ± 0°30'	

SURFACE FINISH
BREAK ALL SHARP EDGES
DIMENSIONAL LIMITS APPLY AFTER FINISHING
THIRD ANGLE PROJECTION

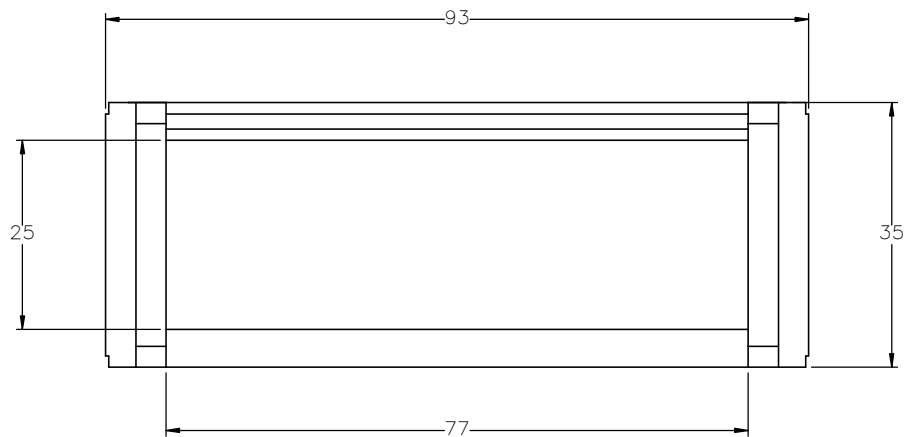
TITLE: MACRON UR2 ACTUATOR		SCALE: 1:1	SHEET SIZE: C
SHEET 1 OF 7	PART NUMBER MSA-UR2	REV	

SPECIFICATIONS ARE SUBJECT TO CHANGE WITHOUT NOTICE
THIS DRAWING IS THE PROPERTY OF MACRON DYNAMICS
ANY REPRODUCTIONS SHALL BE FOR QUOTATION,
MANUFACTURING, OR PURCHASING PURPOSES ONLY.
RELEASE OF DRAWINGS TO OTHER CONCERNS DOES NOT
CONSTITUTE LICENSING IN ANY WAY. INFORMATION
CONTAINED HEREIN IS PROPRIETARY AND CONFIDENTIAL

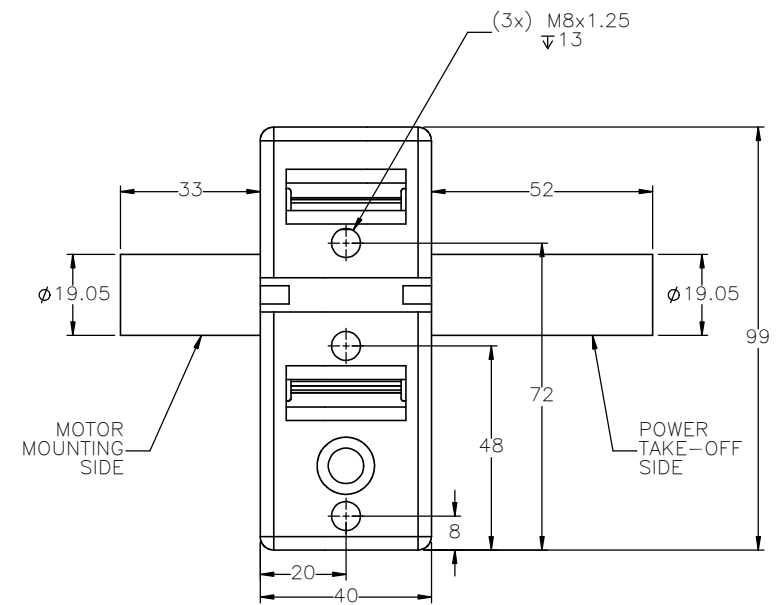
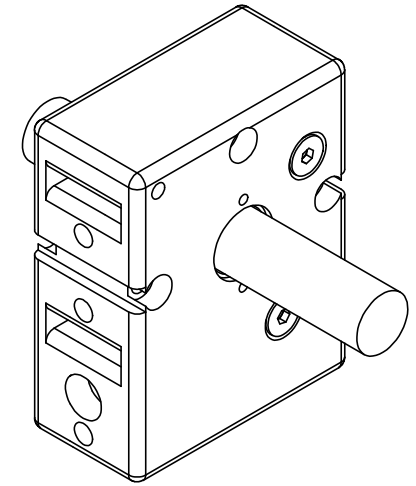
ACTUATOR BODY MOUNTING FEATURES T-NUT SLOTS



CABLE TRACK DIMENSIONS



DOUBLE SHAFTED PULLEY



MACRON DYNAMICS INC

DRAWN BY: PHW	DATE: 3/6/2012	MATERIAL:
CHECKED BY: --	DATE: DD/MM/YYYY	
LAST SAVED BY: rwalls	DATE: 4/23/2018	
UNLESS OTHERWISE SPECIFIED, DIMENSIONS ARE IN INCHES. TOLERANCES UNLESS NOTED OTHERWISE:		FINISH:
.X ± .03	.XX ± .010	
.XXX ± .005	ANG ± 0°30'	

TITLE:
MACRON UR2
ACTUATOR

SPECIFICATIONS ARE SUBJECT
TO CHANGE WITHOUT NOTICE

THIS DRAWING IS THE PROPERTY OF MACRON DYNAMICS
ANY REPRODUCTIONS SHALL BE FOR QUOTATION,
MANUFACTURING, OR PURCHASING PURPOSES ONLY.
RELEASE OF DRAWINGS TO OTHER CONCERNS DOES NOT
CONSTITUTE LICENSING IN ANY WAY. INFORMATION
CONTAINED HEREIN IS PROPRIETARY AND CONFIDENTIAL.

SURFACE FINISH
BREAK ALL SHARP EDGES
DIMENSIONAL LIMITS APPLY AFTER FINISHING
THIRD ANGLE PROJECTION

SHEET
2 OF 7

PART NUMBER
MSA-UR2
SCALE 1:1 SHEET SIZE C