

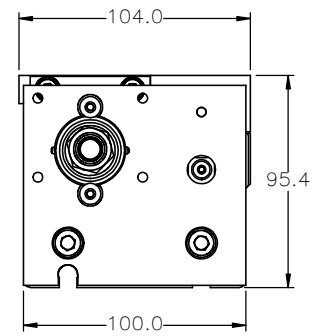
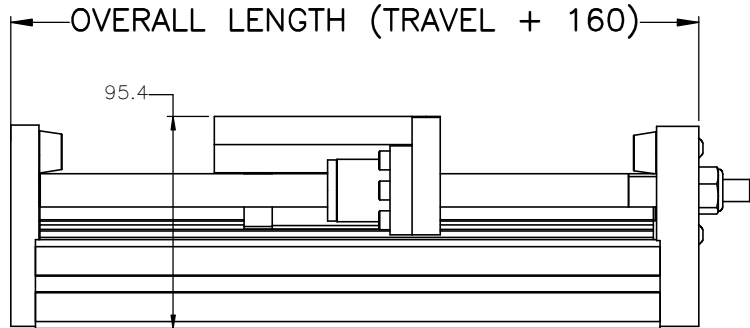
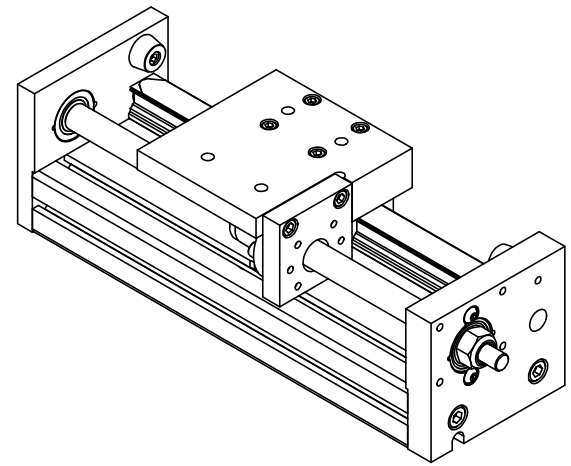
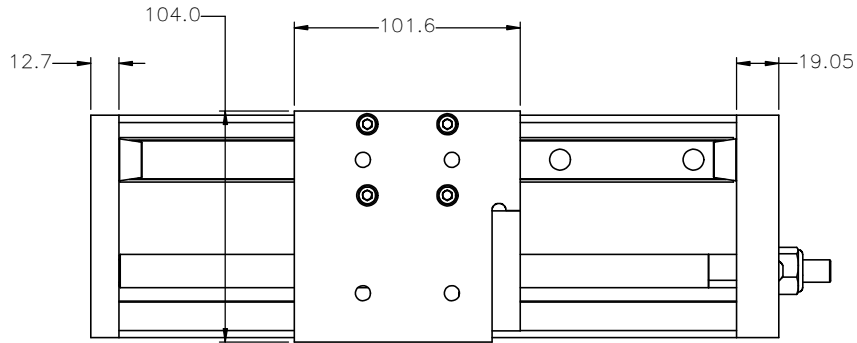
# MSA-SRT-N---

|             |       |
|-------------|-------|
| TRAVEL MIN. | 150mm |
| TRAVEL MAX. | 650mm |

ENTER  
TRAVEL IN INCREMENTS OF 25mm

SELECT MOUNTING OPTION  
A01 = NO MOTOR MOUNTING KIT  
AM1 = MOTOR MOUNT KIT REQUESTED

SPECIFY BALL SCREW LEAD TYPE  
05 = 5mm PITCH  
10 = 10mm PITCH  
20 = 20mm PITCH



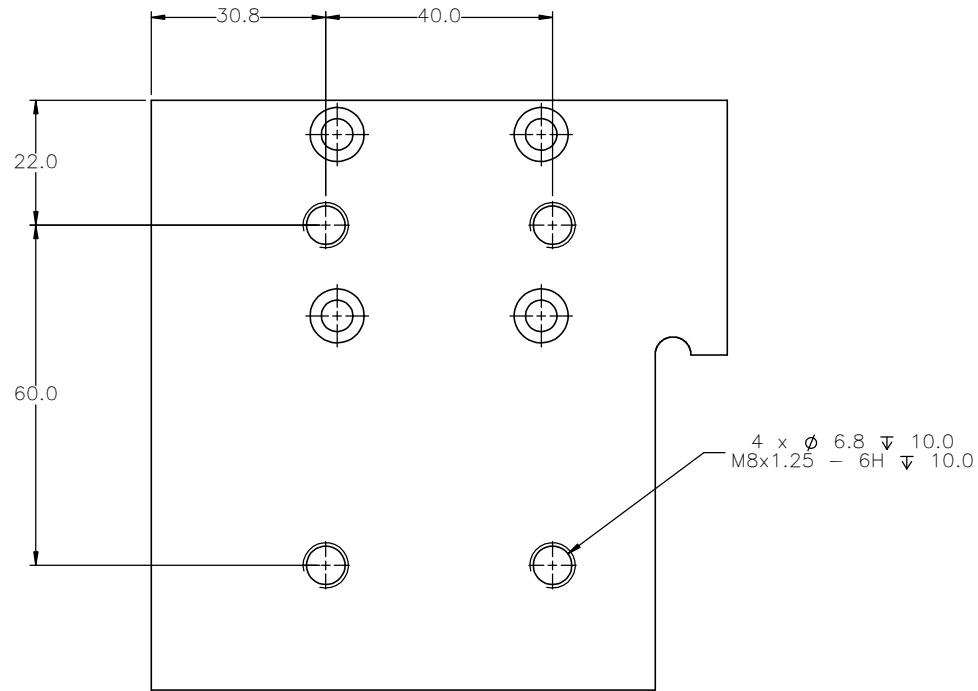
APPROVED: \_\_\_\_\_

DATE: \_\_\_\_\_

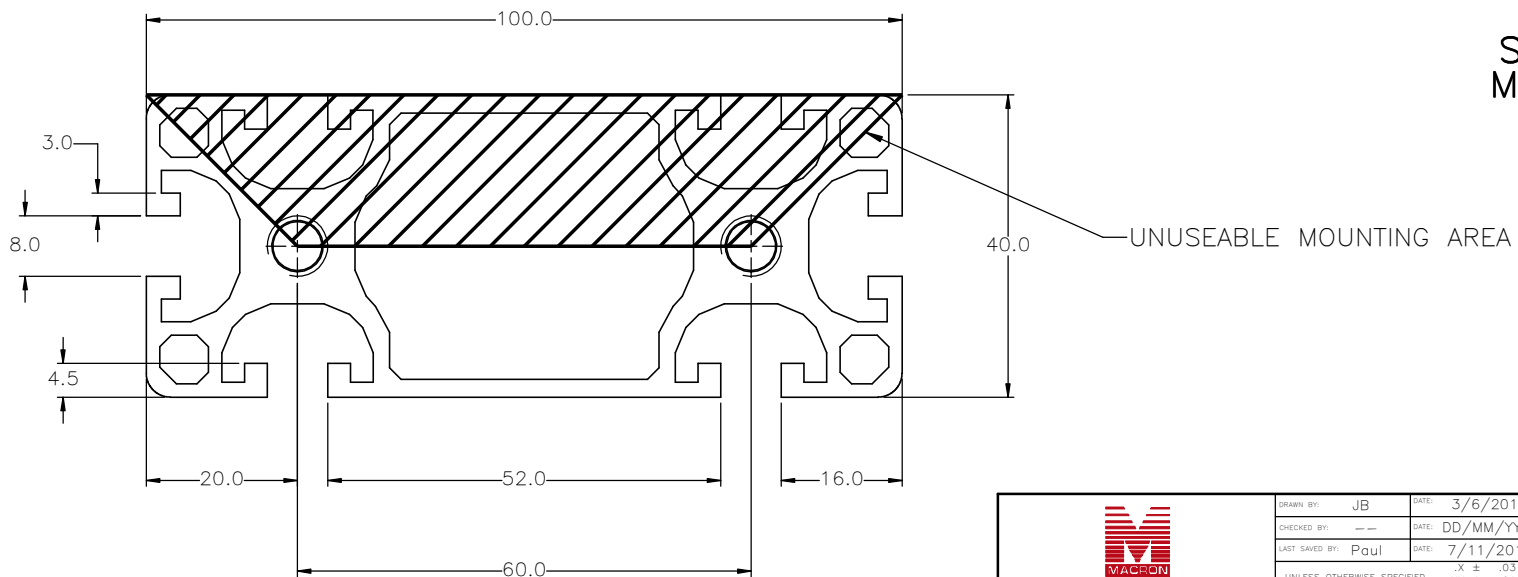
|   |  |                                       |   |
|---|--|---------------------------------------|---|
|   | DRAWN BY: JB      DATE: 3/6/2012<br>CHECKED BY: --      DATE: DD/MM/YYYY<br>LAST SAVED BY: Paul      DATE: 7/11/2017                               | MATERIAL:                             | TITLE:<br>MACRON SINGLE<br>RAIL SCREW TABLE |
|   | UNLESS OTHERWISE SPECIFIED,<br>DIMENSIONS ARE IN INCHES.<br>TOLERANCES UNLESS NOTED<br>OTHERWISE:  | FINISH:                               |   |
| THIS DRAWING IS THE PROPERTY OF MACRON DYNAMICS<br>ANY REPRODUCTIONS SHALL BE FOR QUOTATION,<br>MANUFACTURING, OR PURCHASING PURPOSES ONLY.<br>RELEASE OF DRAWINGS TO OTHER CONCERNS DOES NOT<br>CONSTITUTE LICENSING IN ANY WAY. INFORMATION<br>CONTAINED HEREIN IS PROPRIETARY AND CONFIDENTIAL | SURFACE FINISH: <input checked="" type="checkbox"/><br>BREAK ALL SHARP EDGES<br>DIMENSIONAL LIMITS APPLY AFTER FINISHING<br>THIRD ANGLE PROJECTION | SHEET: 1 OF 7<br>PART NUMBER: MSA-SRT | REV:  |


SPECIFICATIONS ARE SUBJECT TO CHANGE WITHOUT NOTICE

# CART TOP MOUNTING FEATURES



# SCREW TABLE BASE MOUNTING FEATURES

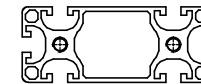
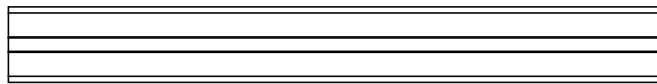
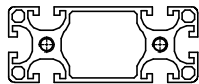


|   |  |   |   |  |      |
|---|--|---|---|--|------|
| <br><b>MACRON DYNAMICS INC</b> | DRAWN BY: JB<br>CHECKED BY: --<br>LAST SAVED BY: Paul  | DATE: 3/6/2012<br>DATE: DD/MM/YYYY<br>DATE: 7/11/2017 | MATERIAL:   | TITLE:<br>MACRON SINGLE RAIL SCREW TABLE |      |
|   | UNLESS OTHERWISE SPECIFIED, DIMENSIONS ARE IN INCHES. TOLERANCES UNLESS NOTED OTHERWISE:   |   | FINISH:   | SCALE: 1:1<br>SHEET SIZE: C              |      |
|   | SURFACE FINISH: <input checked="" type="checkbox"/>  |   | BREAK ALL SHARP EDGES<br>DIMENSIONAL LIMITS APPLY AFTER FINISHING<br>THIRD ANGLE PROJECTION | SHEET: 2 OF 7<br>PART NUMBER: MSA-SRT    | REV: |
|   | THIS DRAWING IS THE PROPERTY OF MACRON DYNAMICS. ANY REPRODUCTIONS SHALL BE FOR QUOTATION, MANUFACTURING, OR PURCHASING PURPOSES ONLY. RELEASE OF DRAWINGS TO OTHER CONCERNS DOES NOT CONSTITUTE LICENSING IN ANY WAY. INFORMATION CONTAINED HEREIN IS PROPRIETARY AND CONFIDENTIAL. |   |   |  |      |

SPECIFICATIONS ARE SUBJECT TO CHANGE WITHOUT NOTICE

# CUTTING

## SCREW TABLE BEAM 40x100S




BEAM LENGTH = TRAVEL + 131mm = \_\_\_\_\_

## 20 SERIES RAIL

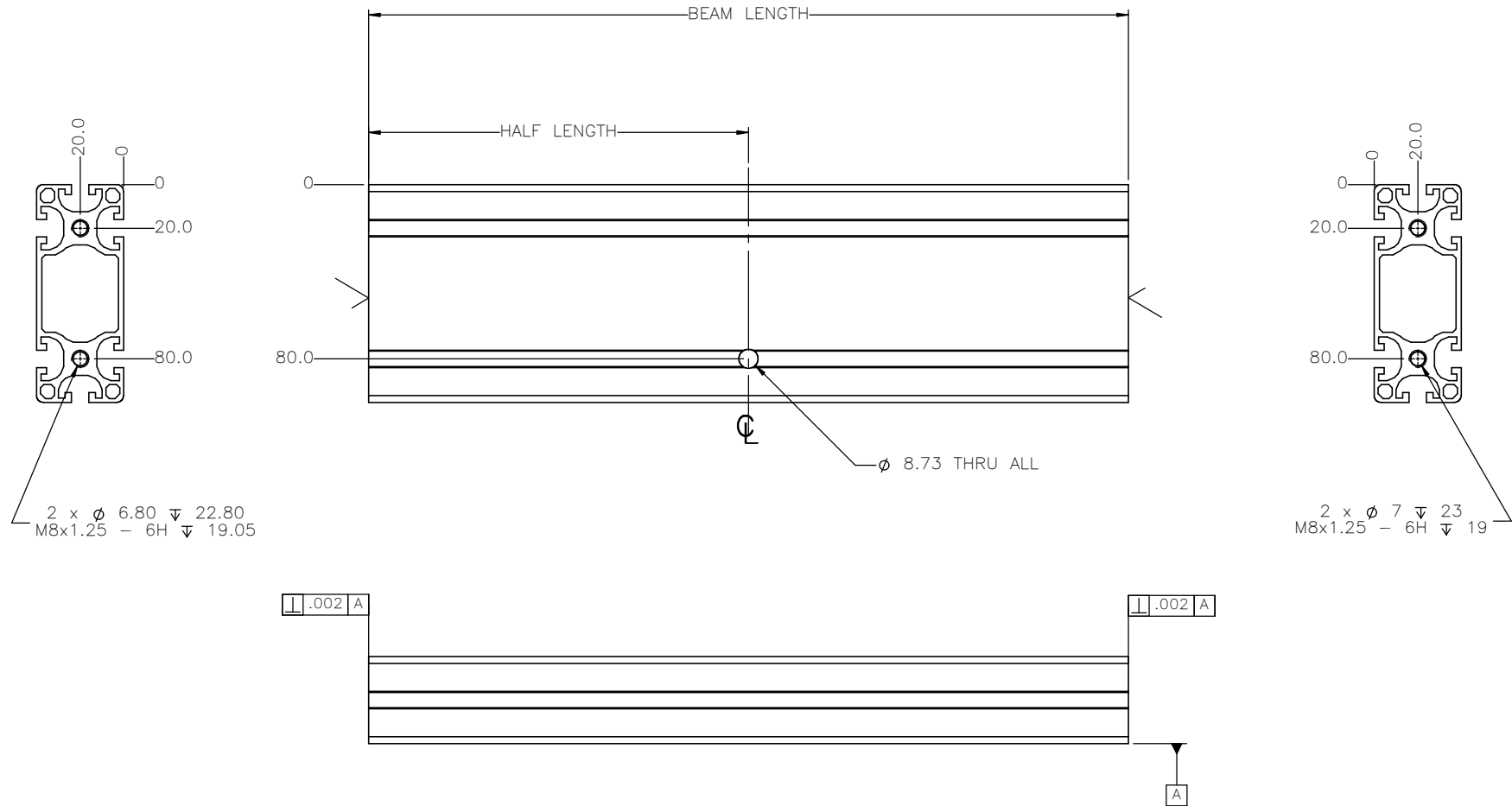



RAIL LENGTH = BEAM LENGTH - 5mm = \_\_\_\_\_

|   |  |  |   |                               |
|---|--|--|---|-------------------------------|
| <br><b>MACRON DYNAMICS INC</b> | DRAWN BY: JB      DATE: 3/6/2012   | MATERIAL:  | TITLE:<br>MACRON SINGLE<br>RAIL SCREW TABLE |                               |
|   | CHECKED BY: --      DATE: DD/MM/YYYY   | FINISH:  |   |                               |
|   | LAST SAVED BY: Paul      DATE: 7/11/2017   | .X ± .03<br>.XX ± .010<br>.XXX ± .005<br>OTHERWISE: ANG ± 0°30'  | SCALE 1:1                                   | SHEET SIZE C                  |
|   | THIS DRAWING IS THE PROPERTY OF MACRON DYNAMICS. ANY REPRODUCTIONS SHALL BE FOR QUOTATION, MANUFACTURING, OR PURCHASING PURPOSES ONLY. RELEASE OF DRAWINGS TO OTHER CONCERNS DOES NOT CONSTITUTE LICENSING IN ANY WAY. INFORMATION CONTAINED HEREIN IS PROPRIETARY AND CONFIDENTIAL. | SURFACE FINISH <input checked="" type="checkbox"/><br>BREAK ALL SHARP EDGES<br>DIMENSIONAL LIMITS APPLY AFTER FINISHING<br><b>THIRD ANGLE PROJECTION</b> | SHEET<br><b>3 OF 7</b>                      | PART NUMBER<br><b>MSA-SRT</b> |

# PROCESSING

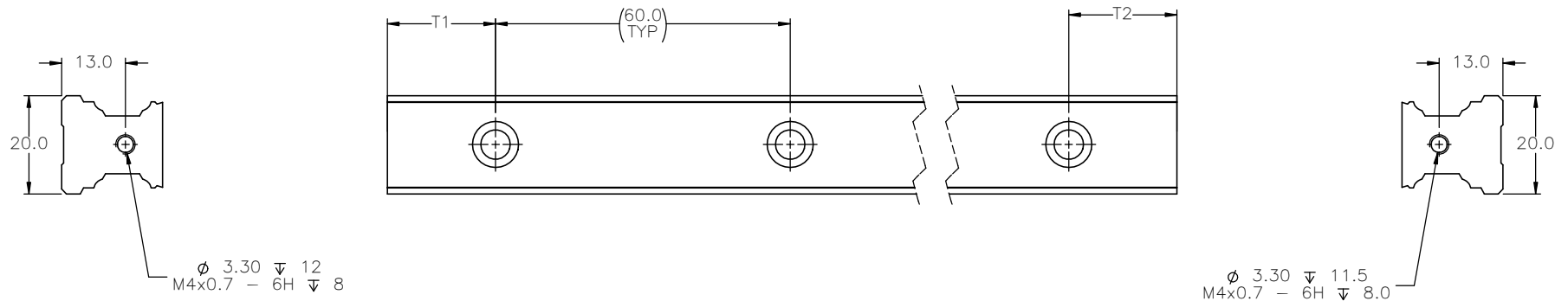
NOTE:  
CUT BEAM LENGTH + 2mm TO ALLOW FOR MACHINING




|   |  |  |  |                               |
|---|--|--|--|-------------------------------|
| <br><b>MACRON DYNAMICS INC</b> | DRAWN BY: JB      DATE: 3/6/2012   | MATERIAL:  | TITLE:<br>MACRON SINGLE<br>RAIL SCREW TABLE          |                               |
|   | CHECKED BY: --      DATE: DD/MM/YYYY   | FINISH:  |  |                               |
|   | LAST SAVED BY: Paul      DATE: 7/11/2017   | UNLESS OTHERWISE SPECIFIED,<br>DIMENSIONS ARE IN INCHES:<br>TOLERANCES UNLESS NOTED<br>OTHERWISE:  | .X ± .03<br>.XX ± .010<br>.XXX ± .005<br>ANG ± 0°30' | SCALE: 1:1      SHEET SIZE: C |
|   | THIS DRAWING IS THE PROPERTY OF MACRON DYNAMICS. ANY REPRODUCTIONS SHALL BE FOR QUOTATION, MANUFACTURING, OR PURCHASING PURPOSES ONLY. RELEASE OF DRAWINGS TO OTHER CONCERNS DOES NOT CONSTITUTE LICENSING IN ANY WAY. INFORMATION CONTAINED HEREIN IS PROPRIETARY AND CONFIDENTIAL. | SURFACE FINISH <input checked="" type="checkbox"/><br>BREAK ALL SHARP EDGES<br>DIMENSIONAL LIMITS APPLY AFTER FINISHING<br><b>THIRD ANGLE PROJECTION</b> | SHEET: 4 OF 7      PART NUMBER: MSA-SRT              | REV:                          |

# MSA-SRT 20 SERIES RAIL CUT SHEET

\*T1=T2\*  
T1 MINIMUM = 13mm



RAIL LENGTH = BEAM LENGTH - 5mm = \_\_\_\_\_

|   |   |  |  |                               |
|---|---|--|--|-------------------------------|
| <br><b>MACRON DYNAMICS INC</b> | DRAWN BY: JB      DATE: 3/6/2012  | MATERIAL:  | TITLE:<br>MACRON SINGLE<br>RAIL SCREW TABLE          |                               |
|   | CHECKED BY: --      DATE: DD/MM/YYYY  | FINISH:  |  |                               |
|   | LAST SAVED BY: Paul      DATE: 7/11/2017  | UNLESS OTHERWISE SPECIFIED,<br>DIMENSIONS ARE IN INCHES:<br>TOLERANCES UNLESS NOTED<br>OTHERWISE:  | .X ± .03<br>.XX ± .010<br>.XXX ± .005<br>ANG ± 0°30' | SCALE: 1:1      SHEET SIZE: C |
|   | THIS DRAWING IS THE PROPERTY OF MACRON DYNAMICS.<br>ANY REPRODUCTIONS SHALL BE FOR QUOTATION,<br>MANUFACTURING, OR PURCHASING PURPOSES ONLY.<br>RELEASE OF DRAWINGS TO OTHER CONCERNS DOES NOT<br>CONSTITUTE LICENSING IN ANY WAY. INFORMATION<br>CONTAINED HEREIN IS PROPRIETARY AND CONFIDENTIAL. | SURFACE FINISH: <input checked="" type="checkbox"/><br>BREAK ALL SHARP EDGES<br>DIMENSIONAL LIMITS APPLY AFTER FINISHING<br>THIRD ANGLE PROJECTION | SHEET: 5 OF 7      PART NUMBER: MSA-SRT              | REV:                          |

# SCREW

| LEAD | MIN. SHAFT LENGTH | MAX. SHAFT LENGTH |
|------|-------------------|-------------------|
| 05   | 150mm             | 1200mm            |
| 10   | 200mm             | 1200mm            |
| 20   | 200mm             | 1200mm            |

MISUMI PART NUMBERING SCHEME

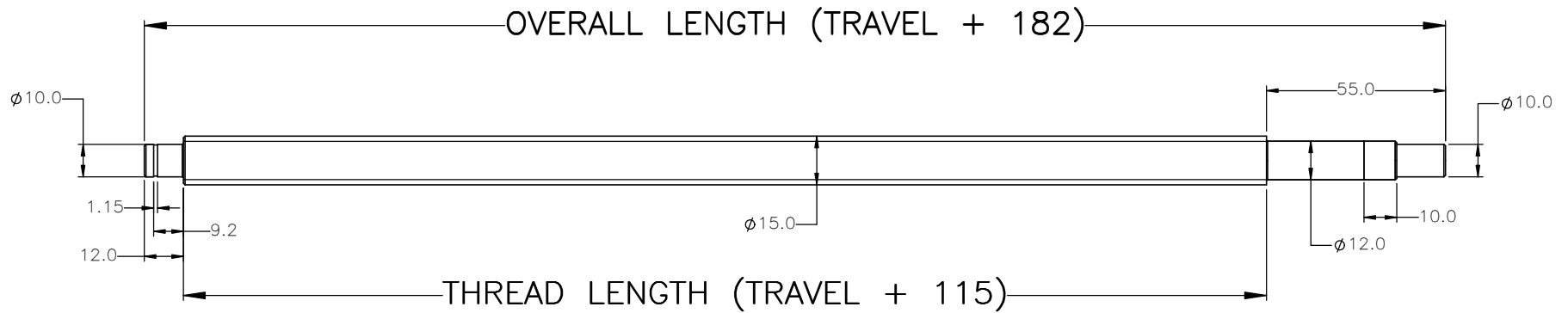
C-BSSC15   -

ENTER  
SCREW OVERALL LENGTH


SPECIFY BALL SCREW LEAD TYPE  
05 = 5mm PITCH  
10 = 10mm PITCH  
20 = 20mm PITCH

OTHER COMPONENTS

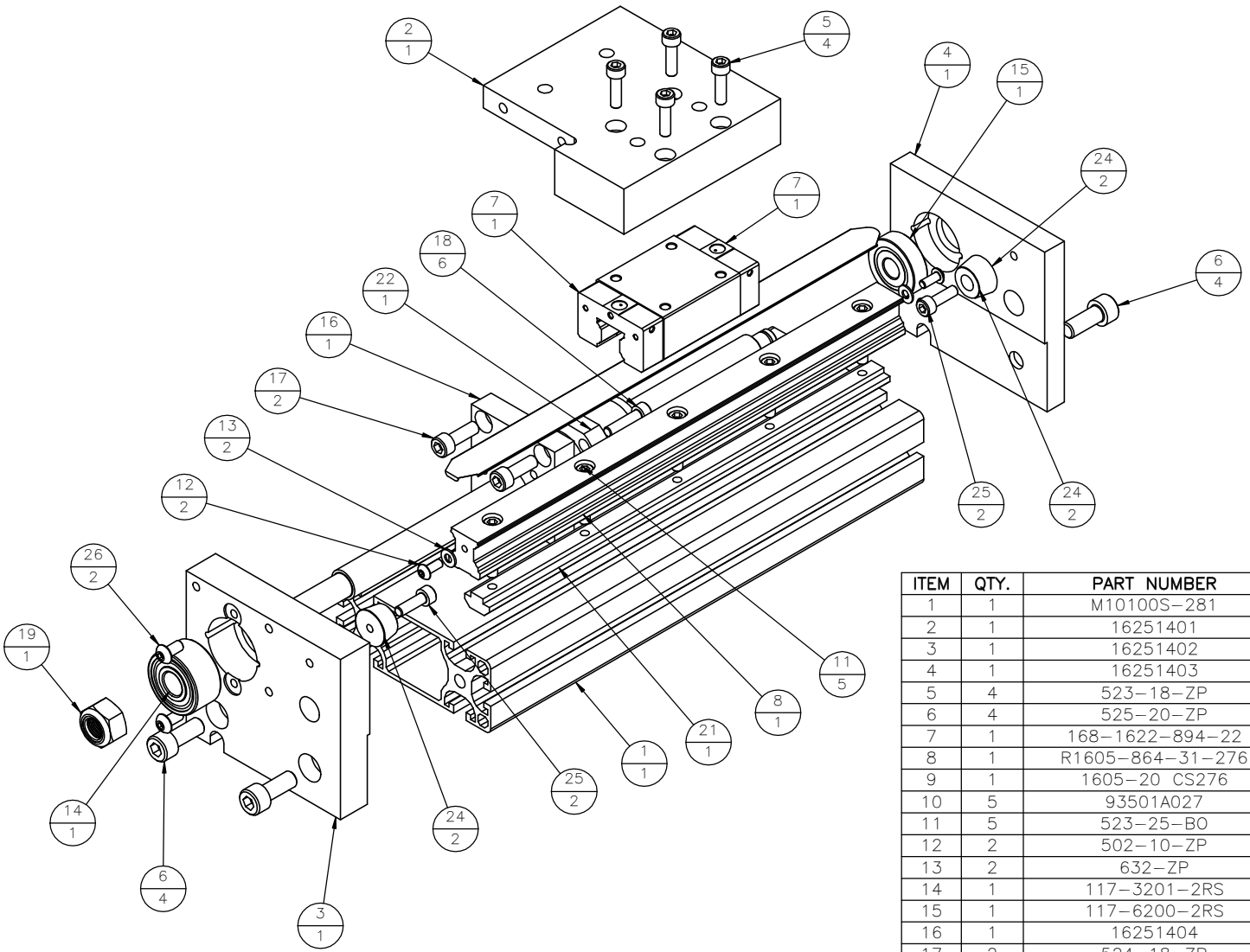
SCREW COLLAR: ASC12-15-15  
M12x1.0 LOCK NUT: 90576A137




\*\*\*JOURNAL AND THREAD DIMENSIONS ARE FOR REFERENCE AND INSPECTION ONLY\*\*\*

|  |  |   |  |
|--|--|---|--|
| <br><b>MACRON DYNAMICS INC</b>  | DRAWN BY: JB      DATE: 3/6/2012   | MATERIAL:   | TITLE:<br>MACRON SINGLE RAIL SCREW TABLE |
|  | CHECKED BY: --      DATE: DD/MM/YYYY   | FINISH:   |  |
|  | LAST SAVED BY: Paul      DATE: 7/11/2017   | UNLESS OTHERWISE SPECIFIED:<br>DIMENSIONS ARE IN INCHES: .XX ± .010<br>TOLERANCES UNLESS NOTED: .XXX ± .005<br>OTHERWISE: ANG ± 0°30' | SCALE: 1:1      SHEET SIZE: C            |
| THIS DRAWING IS THE PROPERTY OF MACRON DYNAMICS. ANY REPRODUCTIONS SHALL BE FOR QUOTATION, MANUFACTURING, OR PURCHASING PURPOSES ONLY. RELEASE OF DRAWINGS TO OTHER CONCERNS DOES NOT CONSTITUTE LICENSING IN ANY WAY. INFORMATION CONTAINED HEREIN IS PROPRIETARY AND CONFIDENTIAL. | SURFACE FINISH: <input checked="" type="checkbox"/><br>BREAK ALL SHARP EDGES<br>DIMENSIONAL LIMITS APPLY AFTER FINISHING<br>THIRD ANGLE PROJECTION | SHEET: 6 OF 7      PART NUMBER: MSA-SRT   | REV:                                     |

# MSA-SRT FULL ASSEMBLY



| ITEM | QTY. | PART NUMBER         | DESCRIPTION                             |
|------|------|---------------------|---|
| 1    | 1    | M10100S-281         | 40 x 100 SCREW TABLE BASE               |
| 2    | 1    | 16251401            | SRT CART TOP                            |
| 3    | 1    | 16251402            | SRT BEARING END PLATE, DRIVE, 5/8"      |
| 4    | 1    | 16251403            | SRT BEARING END PLATE, IDLER, 5/8"      |
| 5    | 4    | 523-18-ZP           | M5 x 18 SHCS-ZP                         |
| 6    | 4    | 525-20-ZP           | M8 x 20 SHCS-ZP                         |
| 7    | 1    | 168-1622-894-22     | 20 SERIES RUNNER BLOCK                  |
| 8    | 1    | R1605-864-31-276    | 20 SERIES RAIL                          |
| 9    | 1    | 1605-20 CS276       | 1605-20 SERIES COVER STRIP              |
| 10   | 5    | 93501A027           | SERRATED BELLEVILLE WASHER, M5          |
| 11   | 5    | 523-25-BO           | M5 x 25 SHCS-BO                         |
| 12   | 2    | 502-10-ZP           | M4 x 10 BHCS-ZP                         |
| 13   | 2    | 632-ZP              | M4 FLAT WASHER-ZP                       |
| 14   | 1    | 117-3201-2RS        | DOUBLE ROW ANGULAR CONTACT BEARING, EMQ |
| 15   | 1    | 117-6200-2RS        | BEARING                                 |
| 16   | 1    | 16251404            | SCREW NUT MOUNT PLATE                   |
| 17   | 2    | 524-18-ZP           | M6 x 18 SHCS-ZP                         |
| 18   | 6    | 523-20-ZP           | M5 x 20 SHCS-ZP                         |
| 19   | 1    | 90576A137           | M12x1.0 LOCK NUT                        |
| 20   | 1    | ASC12-15-15         | BALL SCREW COLLAR                       |
| 21   | 1    | M20069-260          | HEAVY DUTY T-SLOT NUT, M5               |
| 22   | 1    | C-BSSC1505 NUT      | 15 SERIES NUT                           |
| 23   | 1    | C-BSSC1505-332-FC13 | SCREW                                   |
| 24   | 2    | 393                 | BUMPER, 3/4"                            |
| 25   | 2    | 523-16-ZP           | M5 x 16 SHCS-ZP                         |
| 26   | 2    | 503-10-ZP           | M5 x 10 BHCS-ZP                         |

|   |  |                                       |   |
|---|--|---------------------------------------|---|
| <br><b>MACRON DYNAMICS INC</b> | DRAWN BY: JB      DATE: 3/6/2012<br>CHECKED BY: --      DATE: DD/MM/YYYY<br>LAST SAVED BY: Paul      DATE: 7/11/2017   | MATERIAL:                             | TITLE:<br>MACRON SINGLE<br>RAIL SCREW TABLE |
|   | UNLESS OTHERWISE SPECIFIED,<br>DIMENSIONS ARE IN INCHES.<br>TOLERANCES UNLESS NOTED<br>OTHERWISE:  | FINISH:                               |   |
|   | SURFACE FINISH      ✓<br>BREAK ALL SHARP EDGES<br>DIMENSIONAL LIMITS APPLY AFTER FINISHING   | SHEET: 7 OF 7<br>PART NUMBER: MSA-SRT |   |
|   | THIS DRAWING IS THE PROPERTY OF MACRON DYNAMICS<br>ANY REPRODUCTIONS SHALL BE FOR QUOTATION,<br>MANUFACTURING, OR PURCHASING PURPOSES ONLY.<br>RELEASE OF DRAWINGS TO OTHER CONCERNS DOES NOT<br>CONSTITUTE LICENSING IN ANY WAY. INFORMATION<br>CONTAINED HEREIN IS PROPRIETARY AND CONFIDENTIAL. | SCALE: 1:1      SHEET SIZE: C         |   |