

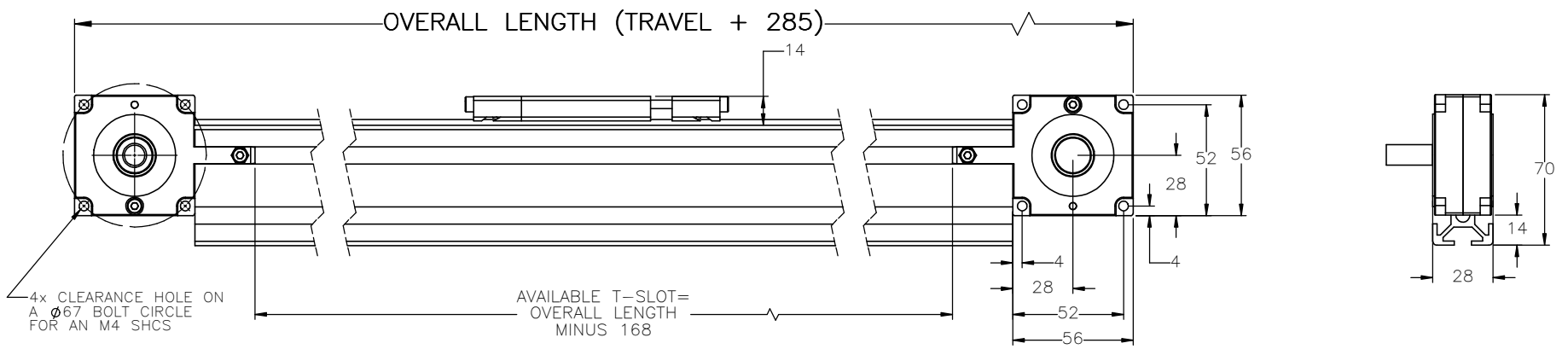
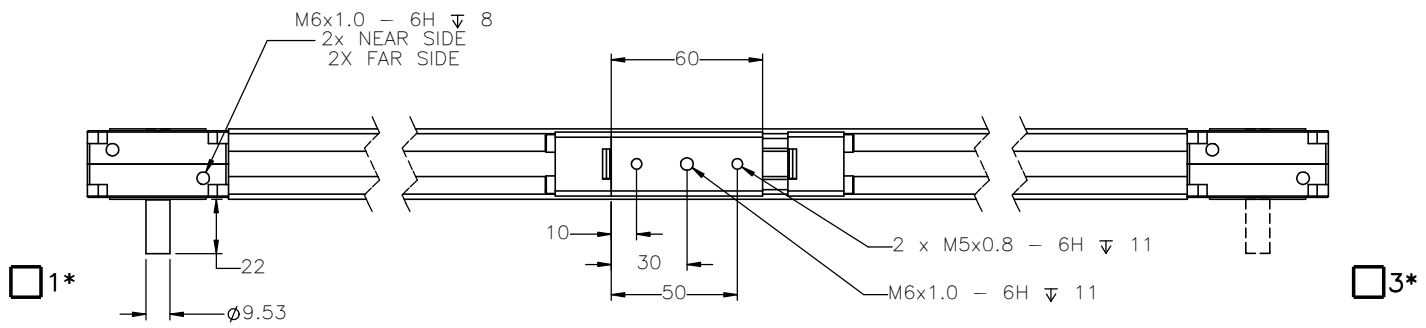
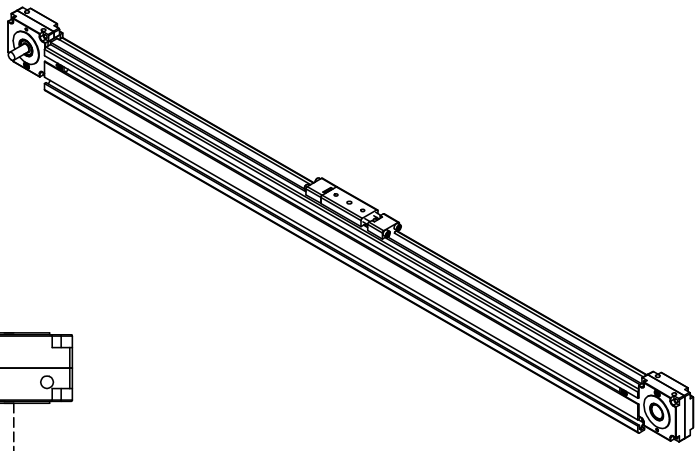
MSA-SB1-B-GB---

ENTER TRAVEL IN INCREMENTS OF 25mm

SELECT DRIVE SHAFT LOCATION*

SHAFTING TYPE
 A0= SINGLE SHAFTED
 B0= DOUBLE SHAFTED
 AM= SINGLE SHAFTED W/ MOTOR MOUNT
 BM= DOUBLE SHAFTED W/ MOTOR MOUNT

PULLEY PITCH DIAMETER	33.42mm (1.316")
PULLEY WIDTH	16.3mm (.640")
PULLEY MATERIAL	STEEL
BELT WEIGHT	.0025 lb/in or 1.1g/25mm
TRAVEL PER REV.	105mm
TRAVEL MIN.	150mm
TRAVEL MAX.	5825mm



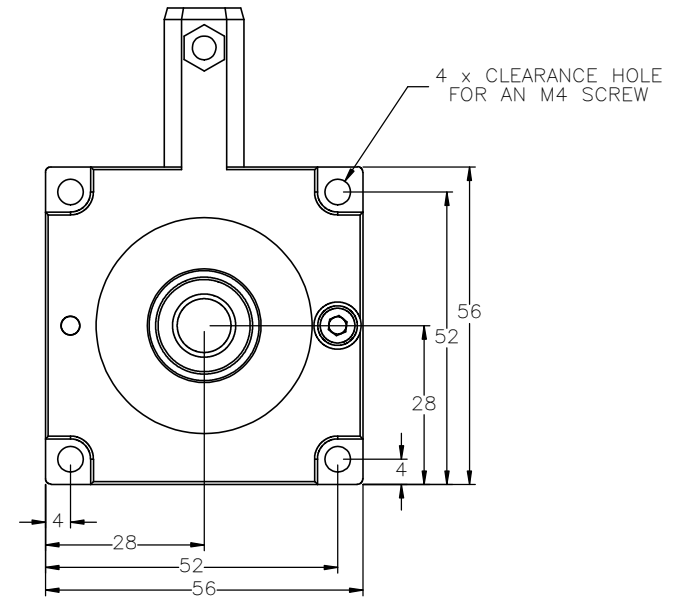
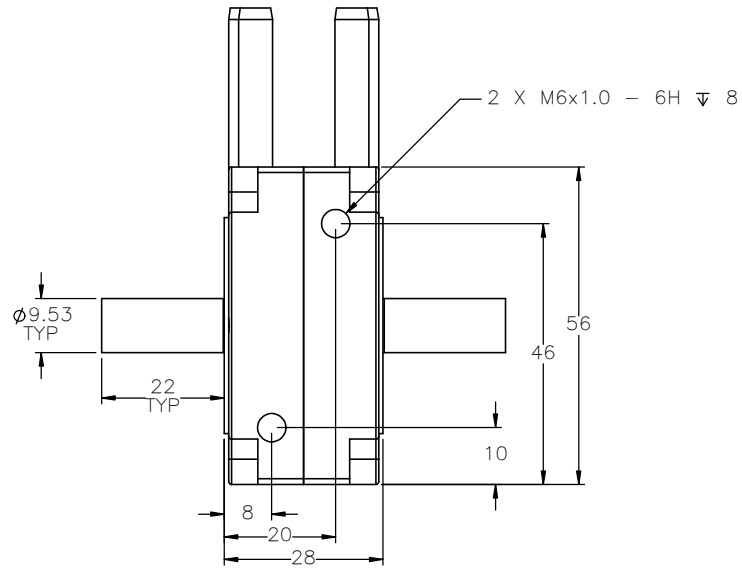
APPROVED: _____

DATE: _____

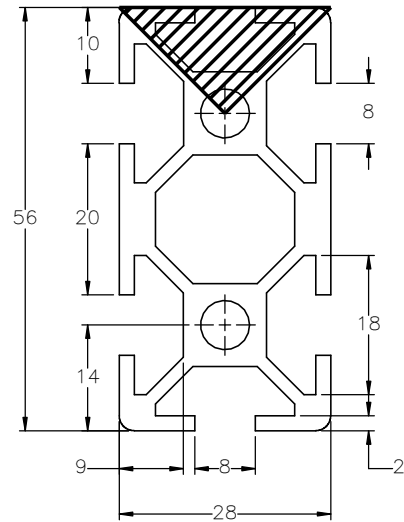
<p>MACRON DYNAMICS INC</p>	DRAWN BY: ASB CHECKED BY: -- LAST SAVED BY: Tim	DATE: 3/6/2012 DATE: DD/MM/YYYY DATE: 4/25/2017	MATERIAL:	TITLE: MACRON SINGLE BELT DRIVE 12
	UNLESS OTHERWISE SPECIFIED: DIMENSIONS ARE IN MILLIMETERS TOLERANCES UNLESS NOTED OTHERWISE: .X \pm .762 .XX \pm .254 .XXX \pm .127 ANG \pm 0°30'		FINISH:	SCALE: 1:1 SHEET SIZE: C
	SURFACE FINISH ∇ BREAK ALL SHARP EDGES DIMENSIONAL LIMITS APPLY AFTER FINISHING THIRD ANGLE PROJECTION		SHEET: 1 OF 2 PART NUMBER: MSA-SB1	REV: 01
	THIS DRAWING IS THE PROPERTY OF MACRON DYNAMICS. ANY REPRODUCTIONS SHALL BE FOR QUOTATION, MANUFACTURING OR PURCHASING PURPOSES ONLY. RELEASE OF DRAWINGS TO OTHER CONCERNS DOES NOT CONSTITUTE LICENSING IN ANY WAY. INFORMATION CONTAINED HEREIN IS PROPRIETARY AND CONFIDENTIAL.			


SPECIFICATIONS ARE SUBJECT TO CHANGE WITHOUT NOTICE

DOUBLE SHAFTED PULLEY



ACTUATOR BODY T-SLOT MOUNTING FEATURES



 MACRON DYNAMICS INC	DRAWN BY: ASB CHECKED BY: -- LAST SAVED BY: Tim	DATE: 3/6/2012 DATE: DD/MM/YYYY DATE: 4/25/2017	MATERIAL: FINISH:	TITLE: MACRON SINGLE BELT DRIVE 12
	UNLESS OTHERWISE SPECIFIED: DIMENSIONS ARE IN MILLIMETER TOLERANCES UNLESS NOTED OTHERWISE: .X \pm .762 .XX \pm .254 .XXX \pm .127 ANG \pm 0°30'		SCALE: 1:1 SHEET SIZE: C	REV:
	SURFACE FINISH <input checked="" type="checkbox"/> BREAK ALL SHARP EDGES DIMENSIONAL LIMITS APPLY AFTER FINISHING THIRD ANGLE PROJECTION		SHEET: 2 OF 2 PART NUMBER: MSA-SB1	REV: 01
	THIS DRAWING IS THE PROPERTY OF MACRON DYNAMICS. ANY REPRODUCTIONS SHALL BE FOR QUOTATION, MANUFACTURING, OR PURCHASING PURPOSES ONLY. RELEASE OF DRAWINGS TO OTHER CONCERNS DOES NOT CONSTITUTE LICENSING IN ANY WAY. INFORMATION CONTAINED HEREIN IS PROPRIETARY AND CONFIDENTIAL.			