

MSA-R6S-E-BC- -

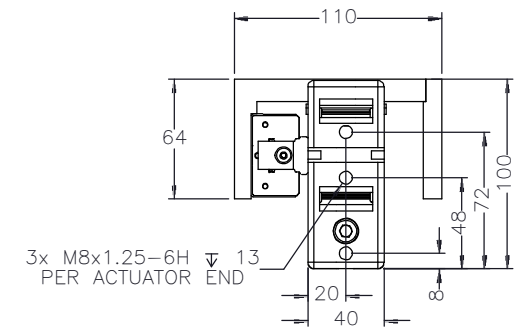
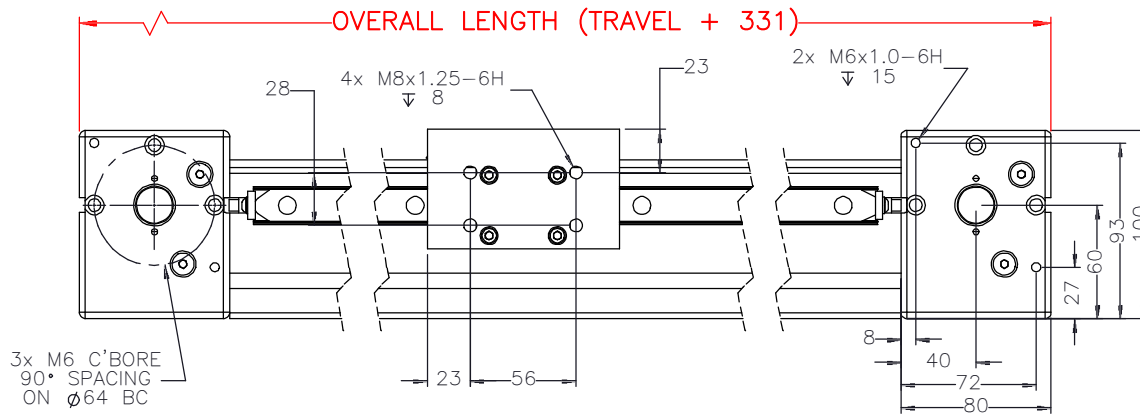
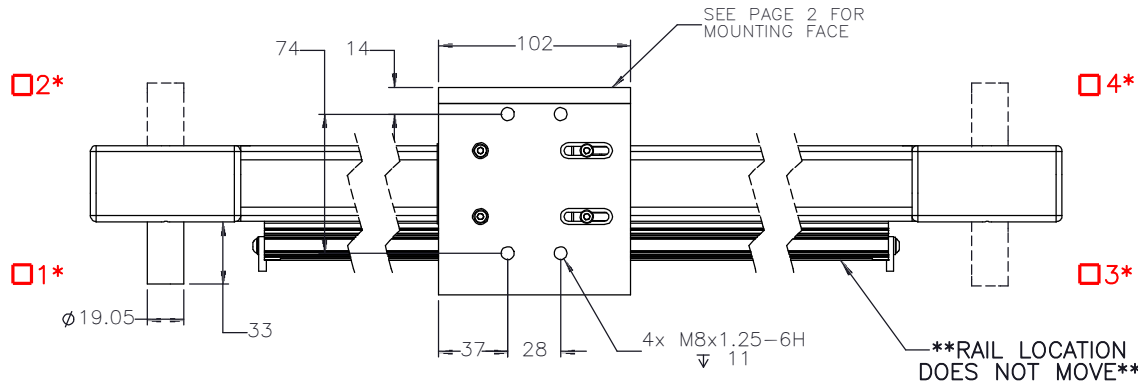
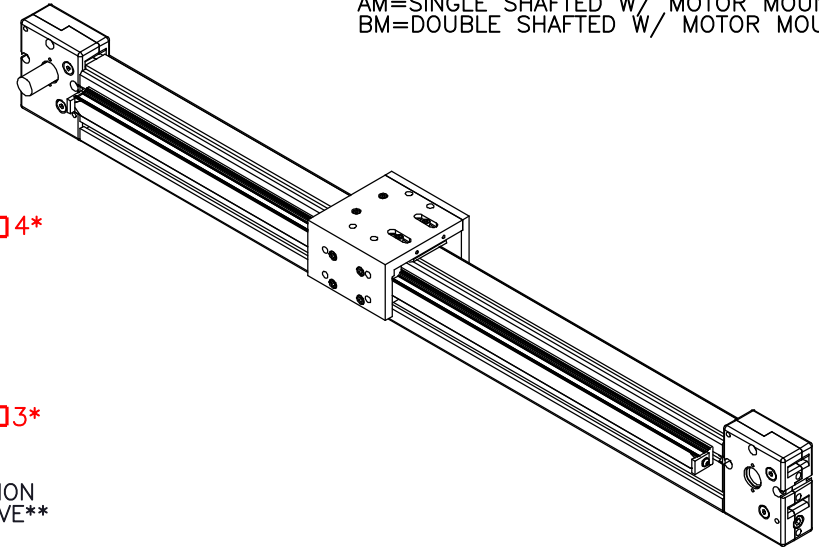
PULLEY PITCH DIAMETER	47.75mm (1.880")
PULLEY WIDTH	28.9mm (1.138")
PULLEY MATERIAL	STEEL
BELT WEIGHT	.0063 lb/in or 2.9g/25mm
TRAVEL PER REV.	150mm
TRAVEL MIN.	150mm
TRAVEL MAX.	5825mm

ENTER
TRAVEL IN INCREMENTS OF 25mm
SELECT
DRIVE SHAFT LOCATION*

SHAFTING TYPE
A0= SINGLE SHAFTED
B0= DOUBLE SHAFTED

NOTE: (IF "B" IS USED THE NUMBER WILL DESIGNATE POSITION OF SHORT SHAFT, SECOND SHAFT WILL BE 50.8mm LONG.)

AM= SINGLE SHAFTED W/ MOTOR MOUNT
BM= DOUBLE SHAFTED W/ MOTOR MOUNT

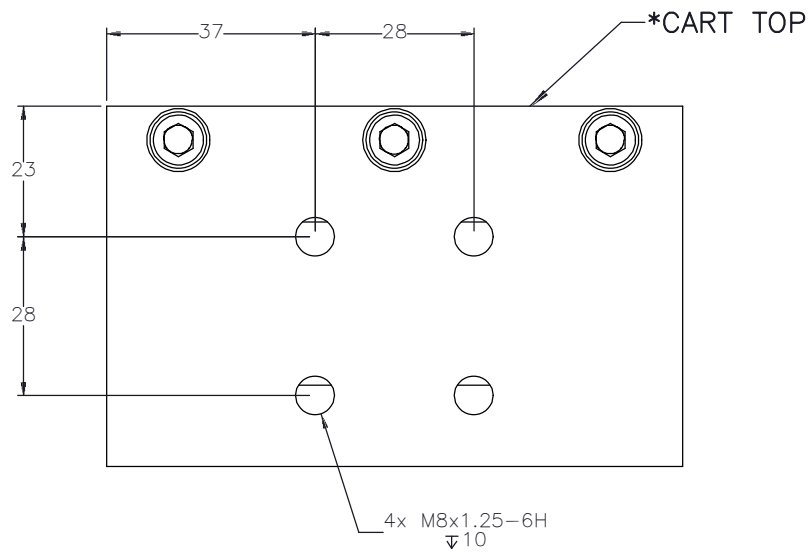


APPROVED: _____

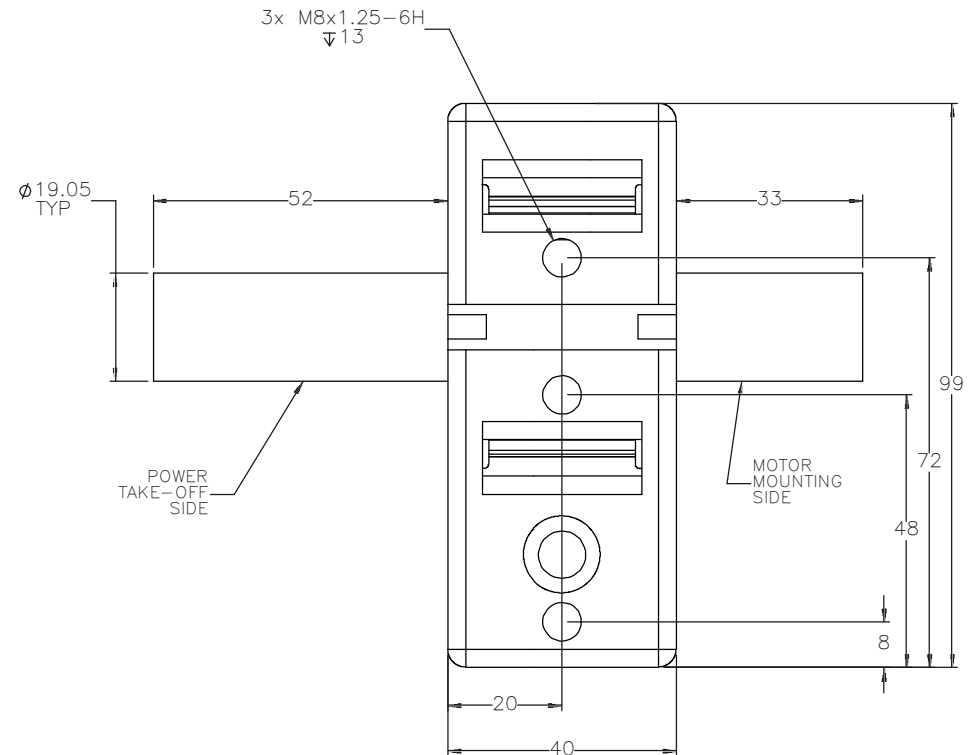
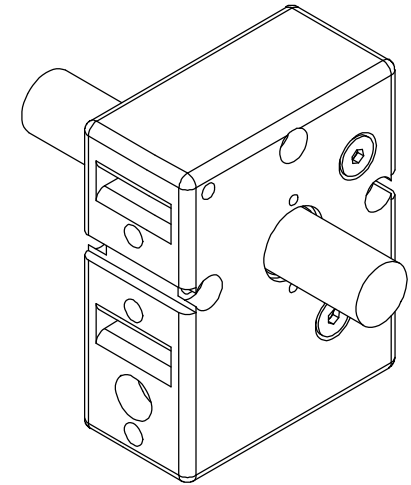
DATE: _____

<p>MACRON DYNAMICS INC</p> <p><small>THIS DRAWING IS THE PROPERTY OF MACRON DYNAMICS. ANY REPRODUCTIONS SHALL BE FOR QUOTATION, MANUFACTURING, OR PURCHASING PURPOSES ONLY. RELEASE OF DRAWINGS TO OTHER CONCERNS DOES NOT CONSTITUTE LICENSING IN ANY WAY. INFORMATION CONTAINED HEREIN IS PROPRIETARY AND CONFIDENTIAL.</small></p>	DRAWN BY: ASB DATE: 3/6/2012	MATERIAL:	TITLE: MACRON 6 RAIL ACTUATOR	
	CHECKED BY: -- DATE: DD/MM/YYYY	FINISH:	SCALE: 1:1 SHEET SIZE: C	
	LAST SAVED BY: Alex DATE: 3/9/2015	UNLESS OTHERWISE SPECIFIED: DIMENSIONS ARE IN INCHES: TOLERANCES UNLESS NOTED: .XX ± .03 .XXX ± .010 .XXX ± .005 OTHERWISE: ANG ± 0°30'	SHEET: 1 OF 6	PART NUMBER: MSA-R6S
	SURFACE FINISH: <input checked="" type="checkbox"/>	BREAK ALL SHARP EDGES DIMENSIONAL LIMITS APPLY AFTER FINISHING THIRD ANGLE PROJECTION	REV: C	

CART MOUNTING FEATURES

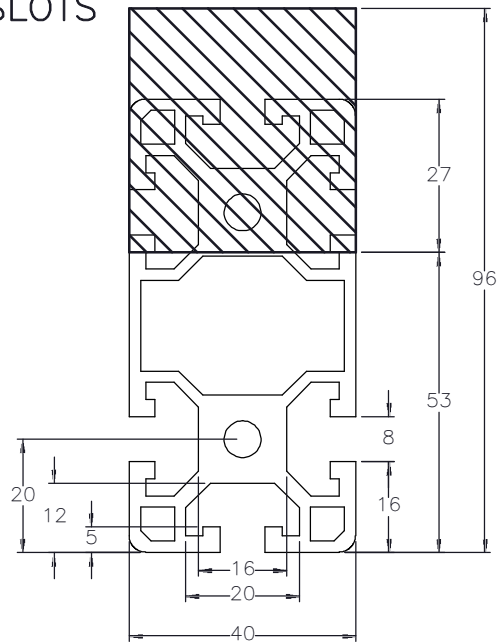


DOUBLE SHAFTED PULLEY




CUSTOMER ACCESSIBLE MOUNTING FEATURES, T-NUT SLOTS

SUGGESTED MOUNTING ACCESSORY
MACRON P/N: M22138



SPECIFICATIONS ARE SUBJECT TO CHANGE WITHOUT NOTICE

 MACRON DYNAMICS INC	DRAWN BY: ASB CHECKED BY: -- LAST SAVED BY: Alex	DATE: 3/6/2012 DATE: DD/MM/YYYY DATE: 3/9/2015	MATERIAL: FINISH:	TITLE: MACRON 6 RAIL ACTUATOR
	UNLESS OTHERWISE SPECIFIED, DIMENSIONS ARE IN INCHES. TOLERANCES UNLESS NOTED OTHERWISE: .X ± .03 .XX ± .010 .XXX ± .005 ANG ± 0°30'		SURFACE FINISH: <input checked="" type="checkbox"/> BREAK ALL SHARP EDGES DIMENSIONAL LIMITS APPLY AFTER FINISHING THIRD ANGLE PROJECTION	SCALE: 1:1 SHEET SIZE: C
THIS DRAWING IS THE PROPERTY OF MACRON DYNAMICS. ANY REPRODUCTIONS SHALL BE FOR QUOTATION, MANUFACTURING, OR PURCHASING PURPOSES ONLY. RELEASE OF DRAWINGS TO OTHER CONCERNS DOES NOT CONSTITUTE LICENSING IN ANY WAY. INFORMATION CONTAINED HEREIN IS PROPRIETARY AND CONFIDENTIAL.		SHEET: 2 OF 6	PART NUMBER: MSA-R6S	REV: C