

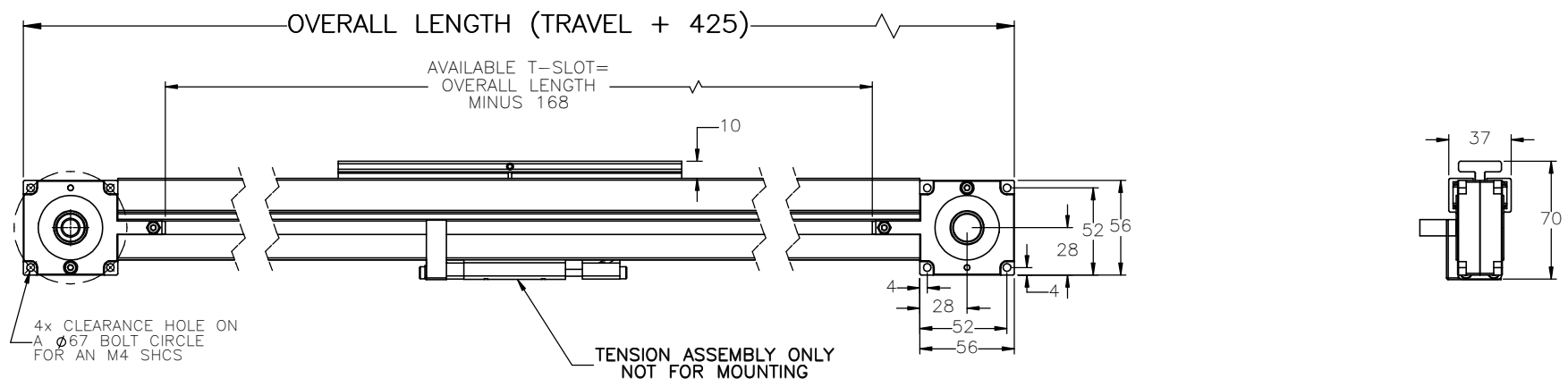
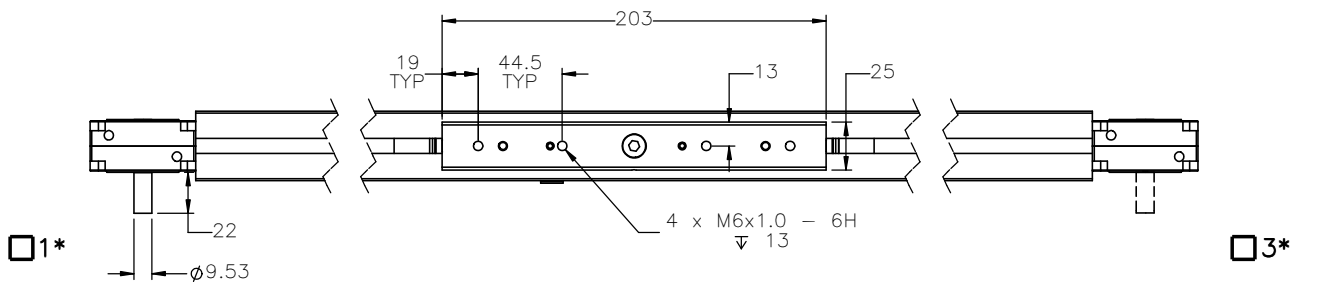
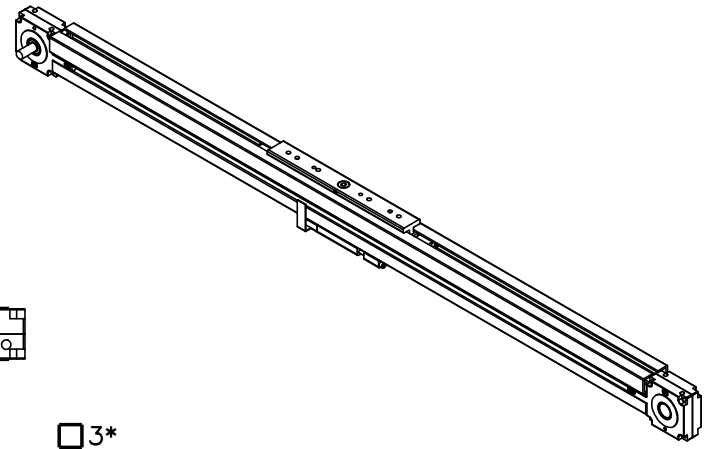
MSA-NBC-0-GB---

ENTER TRAVEL IN INCREMENTS OF 25mm

SELECT DRIVE SHAFT LOCATION*

SHAFTING TYPE
 A0= SINGLE SHAFTED
 B0= DOUBLE SHAFTED
 AM= SINGLE SHAFTED W/ MOTOR MOUNT
 BM= DOUBLE SHAFTED W/ MOTOR MOUNT

PULLEY PITCH DIAMETER	33.42mm (1.316")
PULLEY WIDTH	16.3mm (.640")
PULLEY MATERIAL	STEEL
BELT WEIGHT	.0025 lb/in or 1.1g/25mm
TRAVEL PER REV.	105mm
TRAVEL MIN.	150mm
TRAVEL MAX.	5675mm

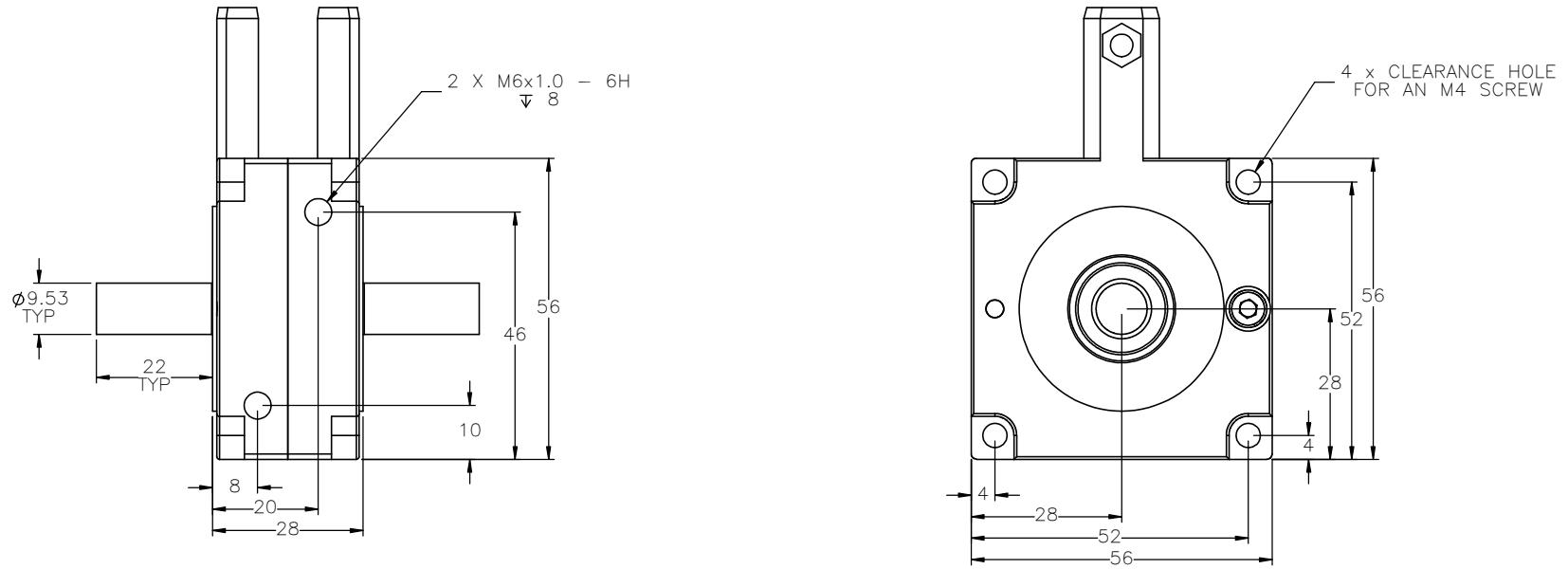


APPROVED: _____
 DATE: _____

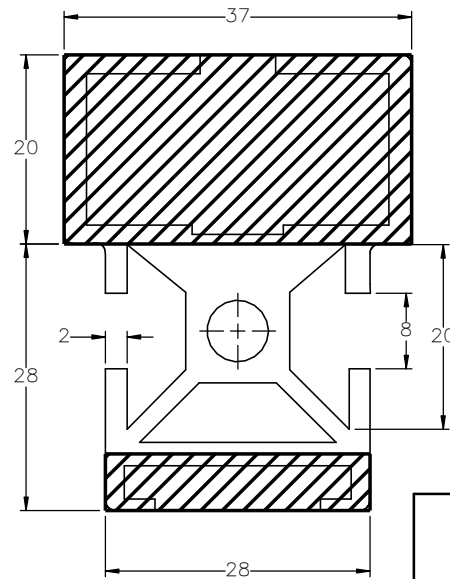
	DRAWN BY: ASB DATE: 3/6/2012 CHECKED BY: -- DATE: DD/MM/YYYY LAST SAVED BY: Tim DATE: 4/25/2017	MATERIAL:	TITLE: MACRON NBC ACTUATOR
	UNLESS OTHERWISE SPECIFIED: DIMENSIONS ARE IN MILLIMETER TOLERANCES UNLESS NOTED: .XX ± .254 .XXX ± .127 ANG ± 0°30'	FINISH:	SCALE: 1:1 SHEET SIZE: C
	SURFACE FINISH: <input checked="" type="checkbox"/> BREAK ALL SHARP EDGES DIMENSIONAL LIMITS APPLY AFTER FINISHING THIRD ANGLE PROJECTION	SHEET: 1 OF 2 PART NUMBER: MSA-NBC	REV: 01


SPECIFICATIONS ARE SUBJECT TO CHANGE WITHOUT NOTICE

DOUBLE SHAFTED PULLEY



ACTUATOR BODY T-SLOT MOUNTING FEATURES



 MACRON DYNAMICS INC	DRAWN BY: ASB DATE: 3/6/2012	MATERIAL:	TITLE: MACRON NBC ACTUATOR	
	CHECKED BY: -- DATE: DD/MM/YYYY	FINISH:		
	LAST SAVED BY: Tim DATE: 4/25/2017	.X ± .762 .XX ± .254 .XXX ± .127 OTHERWISE: ANG ± 0°30'	SCALE: 1:1	SHEET SIZE: c
	UNLESS OTHERWISE SPECIFIED, DIMENSIONS ARE IN MILLIMETER TOLERANCES UNLESS NOTED OTHERWISE:	SURFACE FINISH <input checked="" type="checkbox"/> BREAK ALL SHARP EDGES DIMENSIONAL LIMITS APPLY AFTER FINISHING THIRD ANGLE PROJECTION	SHEET: 2 OF 2 PART NUMBER: MSA-NBC	REV: 01

SPECIFICATIONS ARE SUBJECT TO CHANGE WITHOUT NOTICE

THIS DRAWING IS THE PROPERTY OF MACRON DYNAMICS. ANY REPRODUCTIONS SHALL BE FOR QUOTATION, MANUFACTURING OR PURCHASING PURPOSES ONLY. RELEASE OF DRAWINGS TO OTHER CONCERNS DOES NOT CONSTITUTE LICENSING IN ANY WAY. INFORMATION CONTAINED HEREIN IS PROPRIETARY AND CONFIDENTIAL.