

# MSA-M6S-E-BC---

PULLEY PITCH DIAMETER	47.75mm (1.880")
PULLEY WIDTH	28.9mm (1.138")
PULLEY MATERIAL	STEEL
BELT WEIGHT	.0063 lb/in or 2.9g/25mm
TRAVEL PER REV.	150mm
TRAVEL MIN.	150mm
TRAVEL MAX.	5825mm

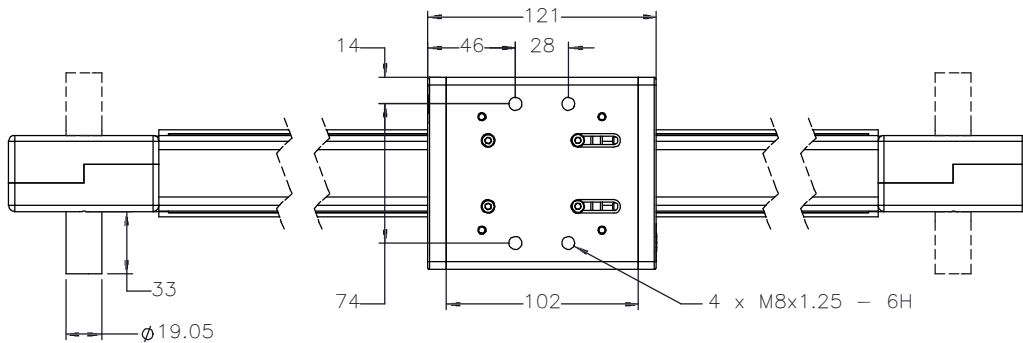
**ENTER**  
TRAVEL IN INCREMENTS OF 25mm  
**SELECT**  
DRIVE SHAFT LOCATION\*

**SHAFTING TYPE**  
A0= SINGLE SHAFTED  
B0= DOUBLE SHAFTED

NOTE: (IF "B" IS USED THE NUMBER WILL DESIGNATE POSITION OF SHORT SHAFT. SECOND SHAFT WILL BE 50.8mm LONG.)

AM= SINGLE SHAFTED W/ MOTOR MOUNT  
BM= DOUBLE SHAFTED W/ MOTOR MOUNT

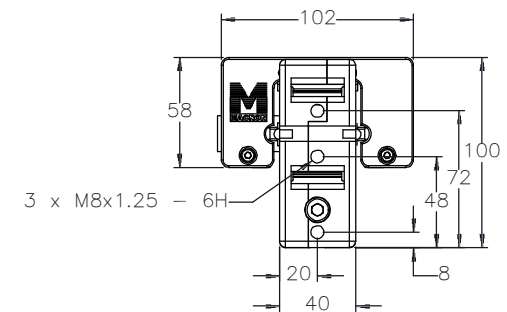
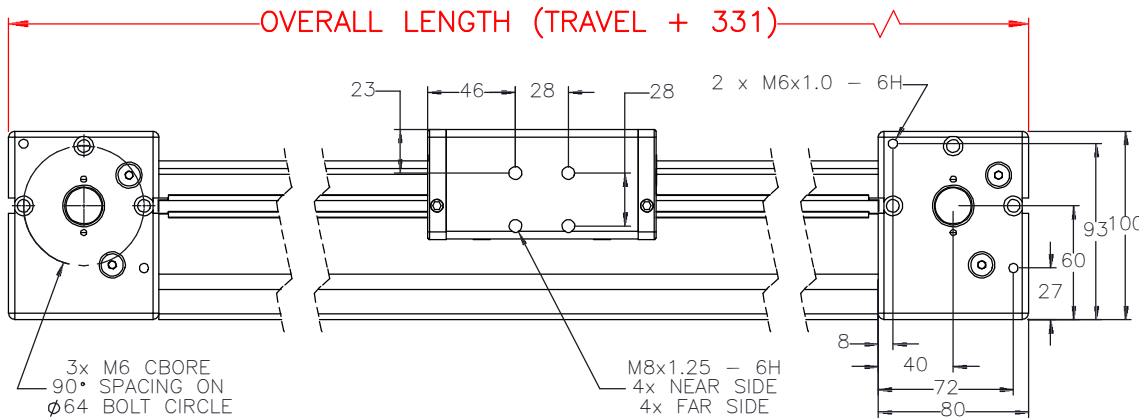
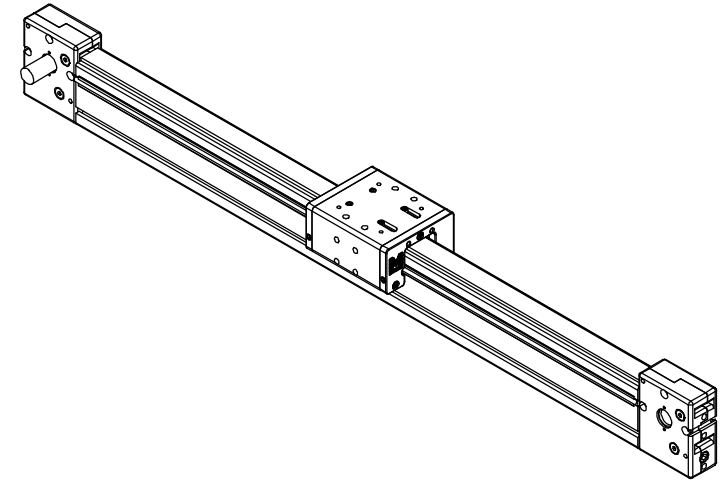
2\*



4\*

1\*

3\*



APPROVED: \_\_\_\_\_

DATE: \_\_\_\_\_



**MACRON DYNAMICS INC**

DRAWN BY: ASB    DATE: 3/6/2012  
CHECKED BY: --    DATE: DD/MM/YYYY  
LAST SAVED BY: Alex    DATE: 6/17/2014

UNLESS OTHERWISE SPECIFIED:  
DIMENSIONS ARE IN INCHES: .XX ± .010  
TOLERANCES UNLESS NOTED: .XXX ± .005  
OTHERWISE: ANG ± 0°30'

SURFACE FINISH:   
BREAK ALL SHARP EDGES  
DIMENSIONAL LIMITS APPLY AFTER FINISHING  
THIRD ANGLE PROJECTION

MATERIAL:

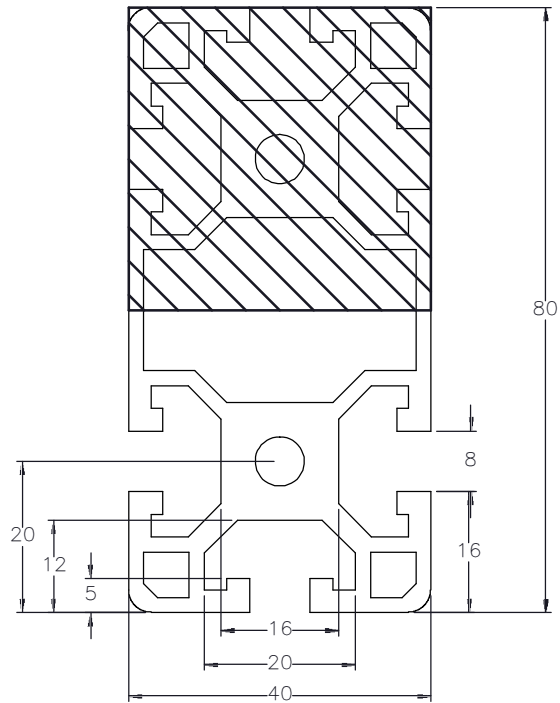
FINISH:

SHEET: 1 OF 6  
PART NUMBER: MSA-M6S

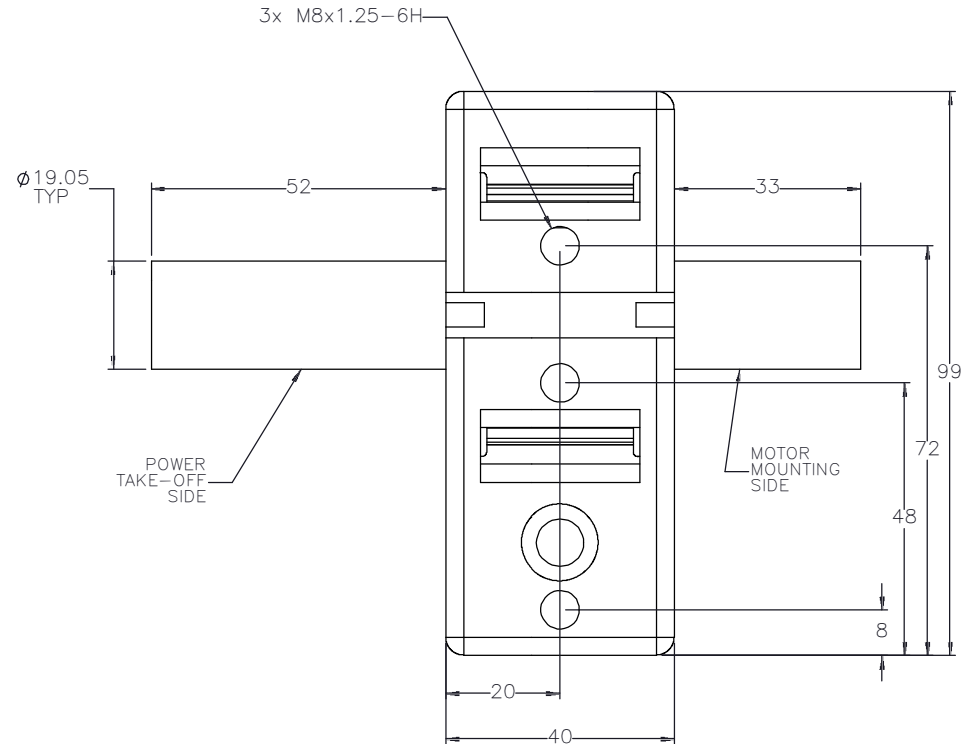
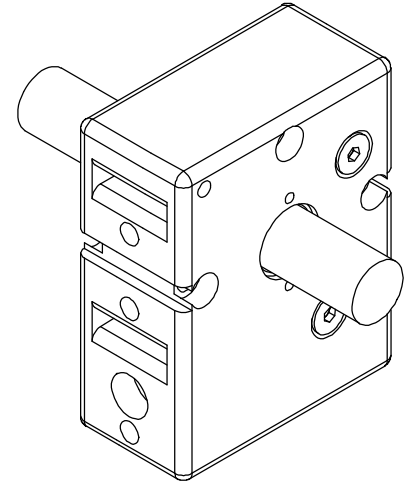
TITLE: MACRON 6 ACTUATOR


SCALE: 1:1    SHEET SIZE: C

CUSTOMER ACCESSIBLE  
MOUNTING FEATURES,  
T-NUT SLOTS



DOUBLE SHAFTED  
PULLEY



 <b>MACRON DYNAMICS INC</b>	DRAWN BY: ASB      DATE: 3/6/2012      MATERIAL:	TITLE: <b>MACRON 6                  ACTUATOR</b>
	CHECKED BY: —      DATE: DD/MM/YYYY	
	LAST SAVED BY: Alex      DATE: 6/17/2014	FINISH:
	UNLESS OTHERWISE SPECIFIED: DIMENSIONS ARE IN INCHES: TOLERANCES UNLESS NOTED: OTHERWISE:	.X ± .03 .XX ± .010 .XXX ± .005 ANG ± 0°30'
THIS DRAWING IS THE PROPERTY OF MACRON DYNAMICS. ANY REPRODUCTIONS SHALL BE FOR QUOTATION, MANUFACTURING, OR PURCHASING PURPOSES ONLY. RELEASE OF DRAWINGS TO OTHER CONCERNS DOES NOT CONSTITUTE LICENSING IN ANY WAY. INFORMATION CONTAINED HEREIN IS PROPRIETARY AND CONFIDENTIAL.	SURFACE FINISH <input checked="" type="checkbox"/> BREAK ALL SHARP EDGES DIMENSIONAL LIMITS APPLY AFTER FINISHING <b>THIRD ANGLE PROJECTION</b>	SCALE: 1:1      SHEET SIZE: C
SPECIFICATIONS ARE SUBJECT TO CHANGE WITHOUT NOTICE	SHEET: 2 OF 6      PART NUMBER: MSA-M6S	REV: C