

MSA-628-B-AB- -

PULLEY PITCH DIAMETER	33.42mm (1.316")
PULLEY WIDTH	16.3mm (.642")
PULLEY MATERIAL	STEEL
BELT WEIGHT	.0025 lb/in or 1.1g/25mm
TRAVEL PER REV.	105mm
TRAVEL MIN.	150mm
TRAVEL MAX.	5850mm

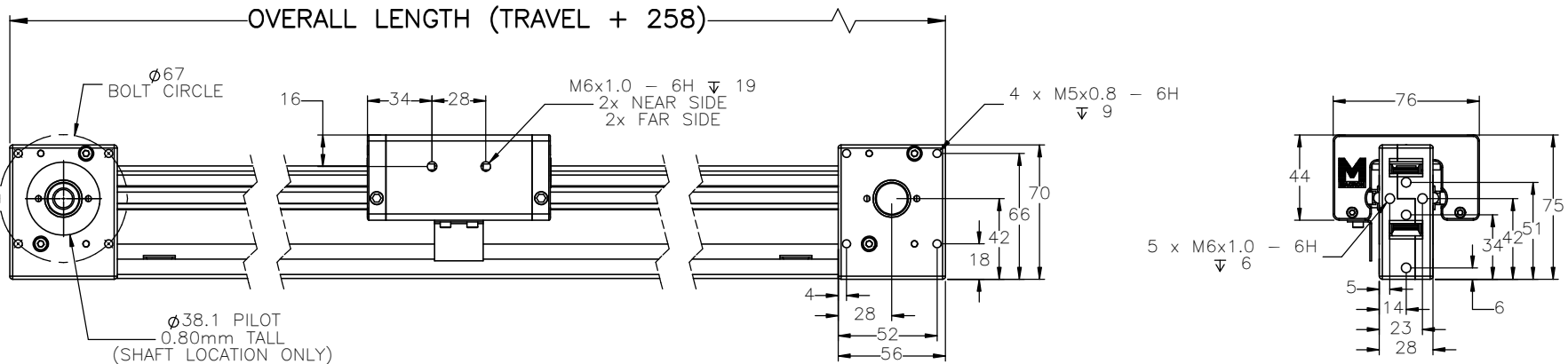
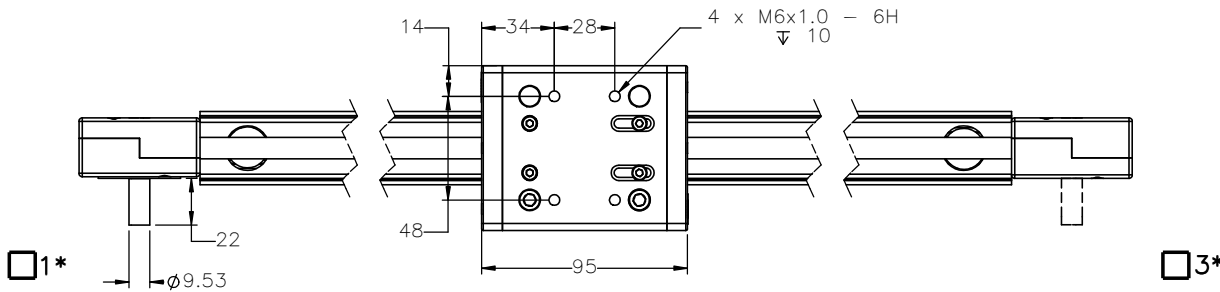
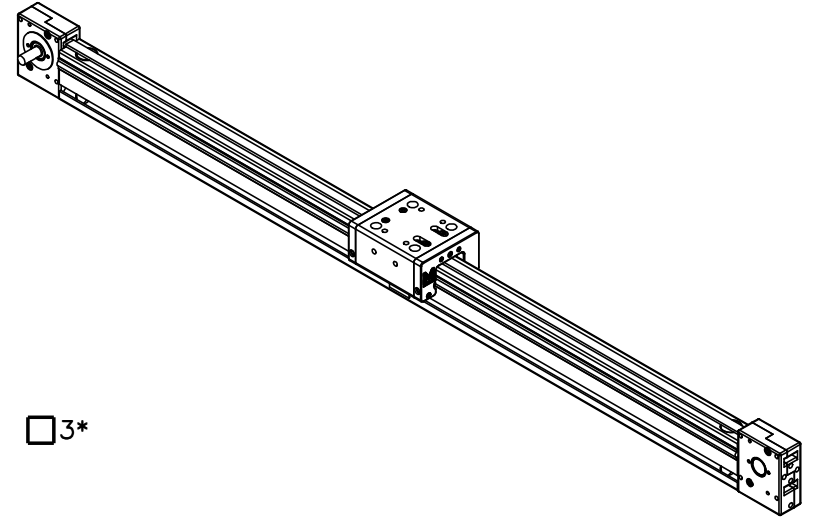
ENTER
TRAVEL IN INCREMENTS OF 25mm

SELECT
DRIVE SHAFT LOCATION*

SHAFTING TYPE
A0= SINGLE SHAFTED
B0= DOUBLE SHAFTED

NOTE: (IF "B" IS USED THE NUMBER WILL
DESIGNATE POSITION OF THE BOSS ON THE PULLEY)

AM= SINGLE SHAFTED W/ MOTOR MOUNT
BM= DOUBLE SHAFTED W/ MOTOR MOUNT



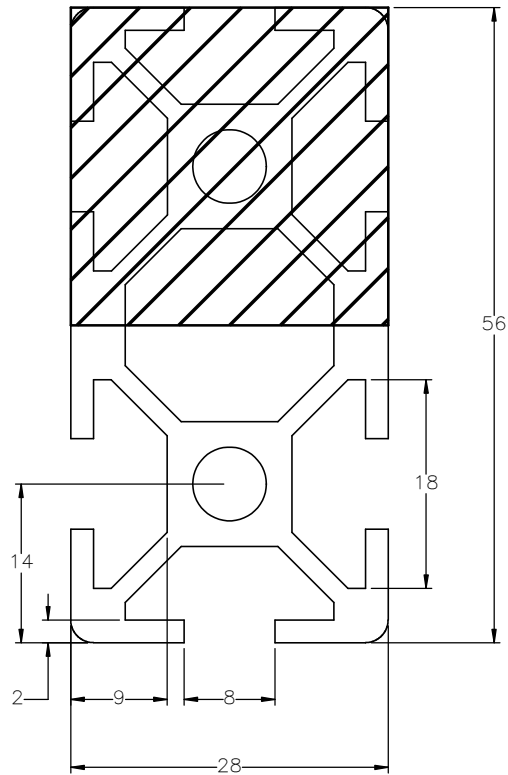
APPROVED: _____

DATE: _____

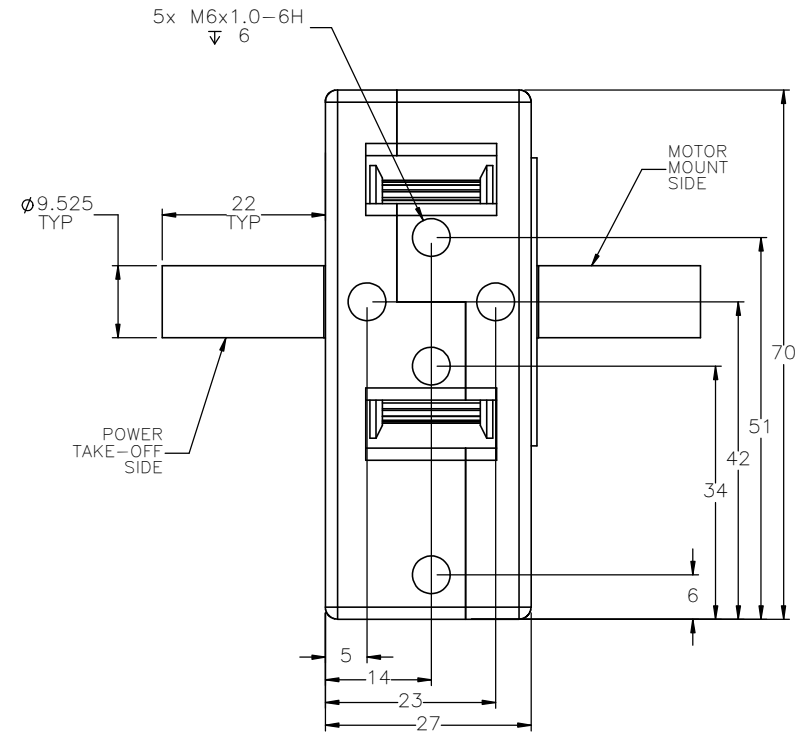
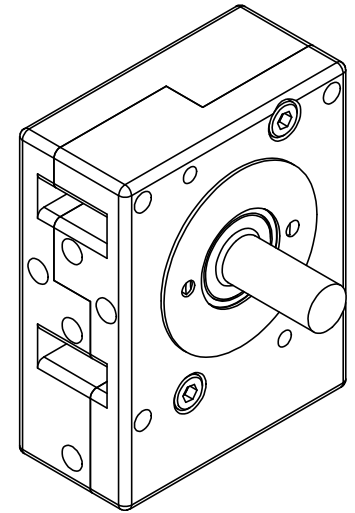
	DRAWN BY: ASB DATE: 3/6/2012 MATERIAL:	TITLE: MACRON MINI 6 ACTUATOR
	CHECKED BY: -- DATE: DD/MM/YYYY	
	LAST SAVED BY: Tim DATE: 4/25/2017	
	UNLESS OTHERWISE SPECIFIED: DIMENSIONS ARE IN MILLIMETER TOLERANCES UNLESS NOTED: .XX ± .254 .XXX ± .127 OTHERWISE: ANG ± 0°30'	
SURFACE FINISH: <input checked="" type="checkbox"/>	FINISH:	SCALE: 1:1 SHEET SIZE: C
THIS DRAWING IS THE PROPERTY OF MACRON DYNAMICS ANY REPRODUCTIONS SHALL BE FOR QUOTATION, MANUFACTURING OR PURCHASING PURPOSES ONLY. RELEASE OF DRAWINGS TO OTHER CONCERNS DOES NOT CONSTITUTE LICENSING IN ANY WAY. INFORMATION CONTAINED HEREIN IS PROPRIETARY AND CONFIDENTIAL.	BREAK ALL SHARP EDGES DIMENSIONAL LIMITS APPLY AFTER FINISHING THIRD ANGLE PROJECTION	SHEET: 1 OF 2 PART NUMBER: MSA-628 REV: 01


SPECIFICATIONS ARE SUBJECT TO CHANGE WITHOUT NOTICE

CUSTOMER ACCESSIBLE
MOUNTING FEATURES,
T-NUT SLOTS



DOUBLE SHAFTED
PULLEY



 MACRON DYNAMICS INC	DRAWN BY: ASB CHECKED BY: -- LAST SAVED BY: Tim	DATE: 3/6/2012 DATE: DD/MM/YYYY DATE: 4/25/2017	MATERIAL:	TITLE: MACRON MINI 6 ACTUATOR	
	UNLESS OTHERWISE SPECIFIED: DIMENSIONS ARE IN MILLIMETER TOLERANCES UNLESS NOTED OTHERWISE: .X ± .762 .XX ± .254 .XXX ± .127 ANG ± 0°30'		FINISH:	SCALE: 1:1 SHEET SIZE: C	
	SURFACE FINISH: ✓ BREAK ALL SHARP EDGES DIMENSIONAL LIMITS APPLY AFTER FINISHING THIRD ANGLE PROJECTION		SHEET: 2 OF 2	PART NUMBER: MSA-628	REV: 01
	THIS DRAWING IS THE PROPERTY OF MACRON DYNAMICS. ANY REPRODUCTIONS SHALL BE FOR QUOTATION, MANUFACTURING, OR PURCHASING PURPOSES ONLY. RELEASE OF DRAWINGS TO OTHER CONCERNS DOES NOT CONSTITUTE LICENSING IN ANY WAY. INFORMATION CONTAINED HEREIN IS PROPRIETARY AND CONFIDENTIAL.				

SPECIFICATIONS ARE SUBJECT TO CHANGE WITHOUT NOTICE