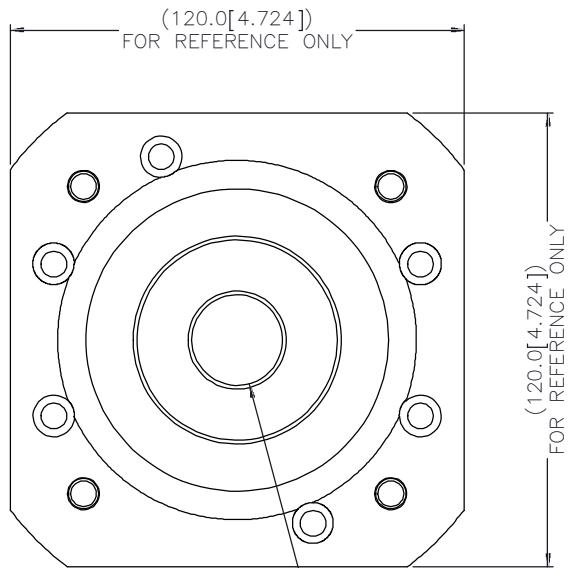
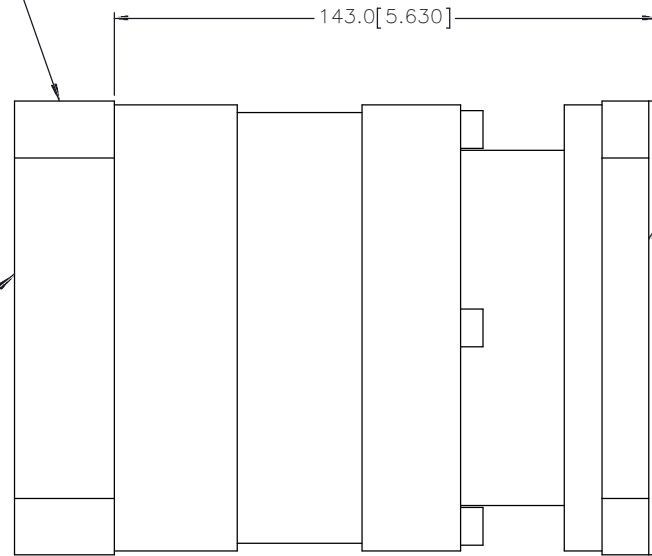


NOTE: MOUNTING FLANGE LENGTH, WIDTH, AND THICKNESS WILL VARY BASED ON MOTOR DIMENSIONS.




MAX STANDARD MOTOR SHAFT=
Ø24.0[.945]

MOTOR
INTERFACE
PLATE



ACTUATOR
INTERFACE
PLATE

| | | |
|--|--|------------------|
|  MACRON DYNAMICS INC <small>AN AFFILIATE OF THE MACRON GROUP MANUFACTURING FOR PURCHASING PURPOSES ONLY RELEASE OF DRAWING BY OTHER COMPANY, PART NOT COVERED HEREIN IN ANY WAY. INFORMATION CONTAINED HEREIN IS PROPRIETARY AND CONFIDENTIAL.</small> | TITLE: MACRON 118 GEARBOX | |
| | THIRD ANGLE PROJECTION | SHEET 1 OF 1 |
| <small>UNLESS OTHERWISE SPECIFIED, DIMENSIONS ARE IN MILLIMETERS.</small> | PART NUMBER MPG-118 | REV 01 |