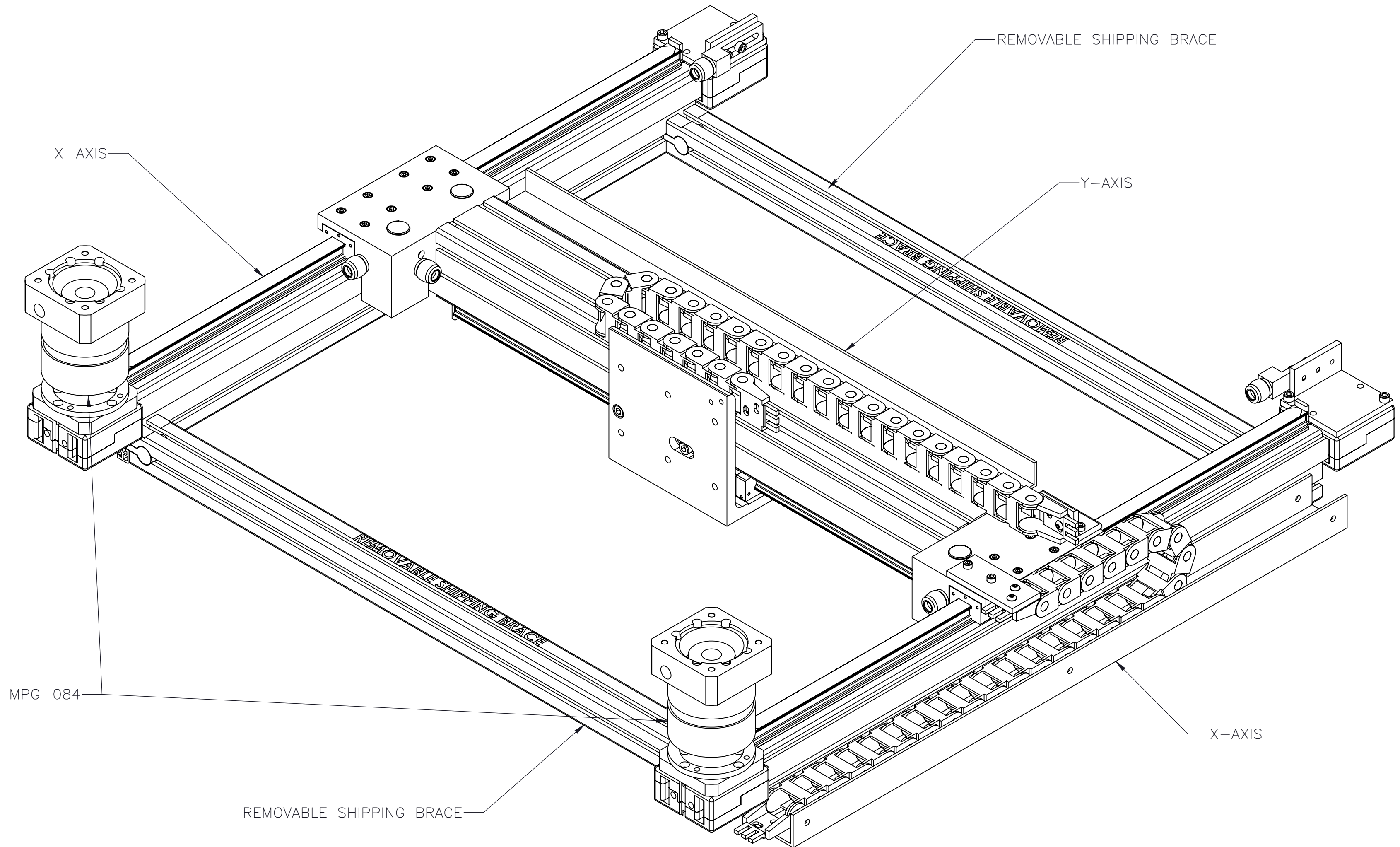



MGS-HBG-25- - -X

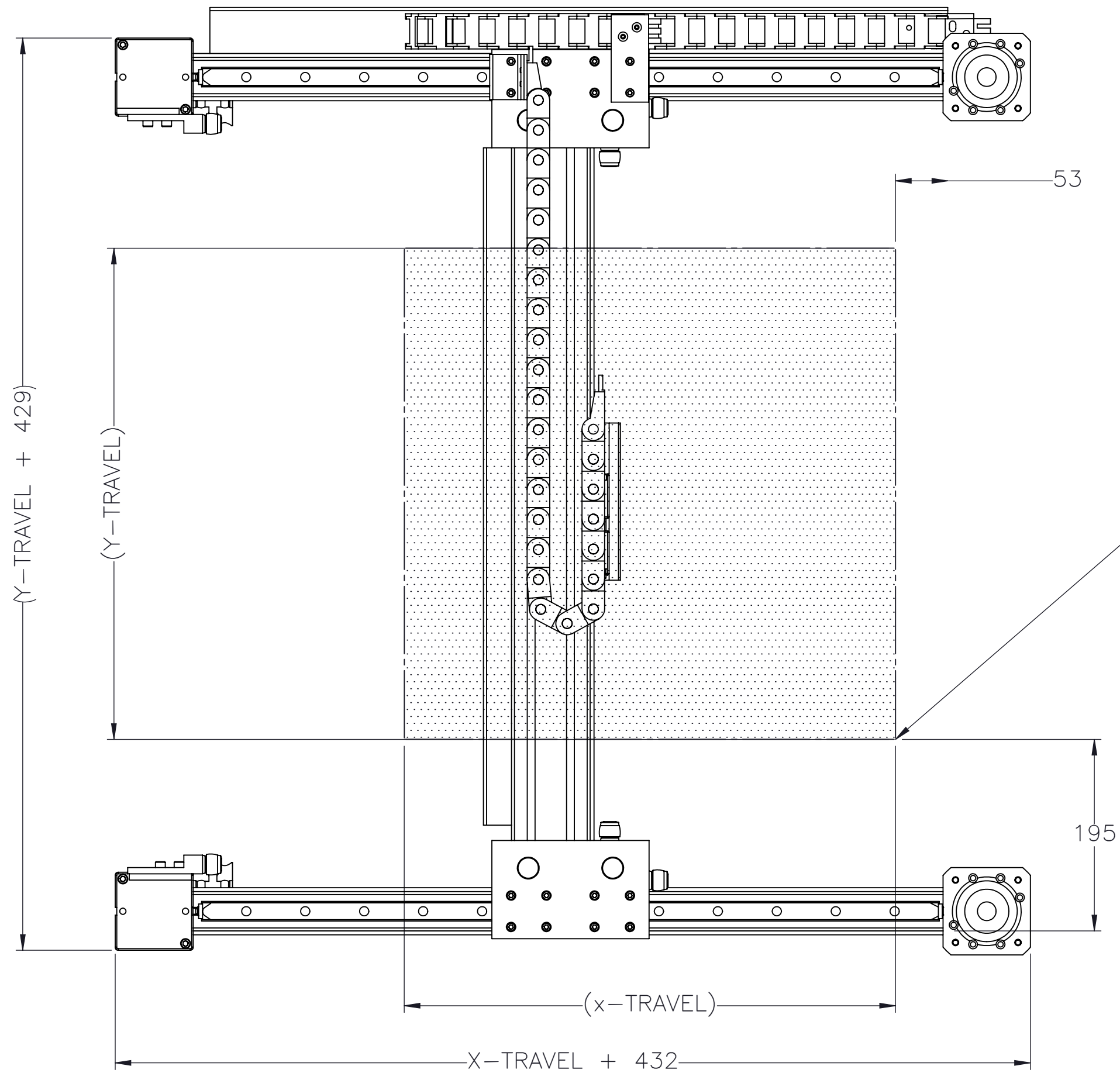
ENTER Y-AXIS TRAVEL
 TRAVEL IN INCREMENTS OF 500mm
 TRAVEL LIMITS: 500mm-1000mm

ENTER X-AXIS TRAVEL
 TRAVEL IN INCREMENTS OF 500mm
 TRAVEL LIMITS: 500mm-2000mm

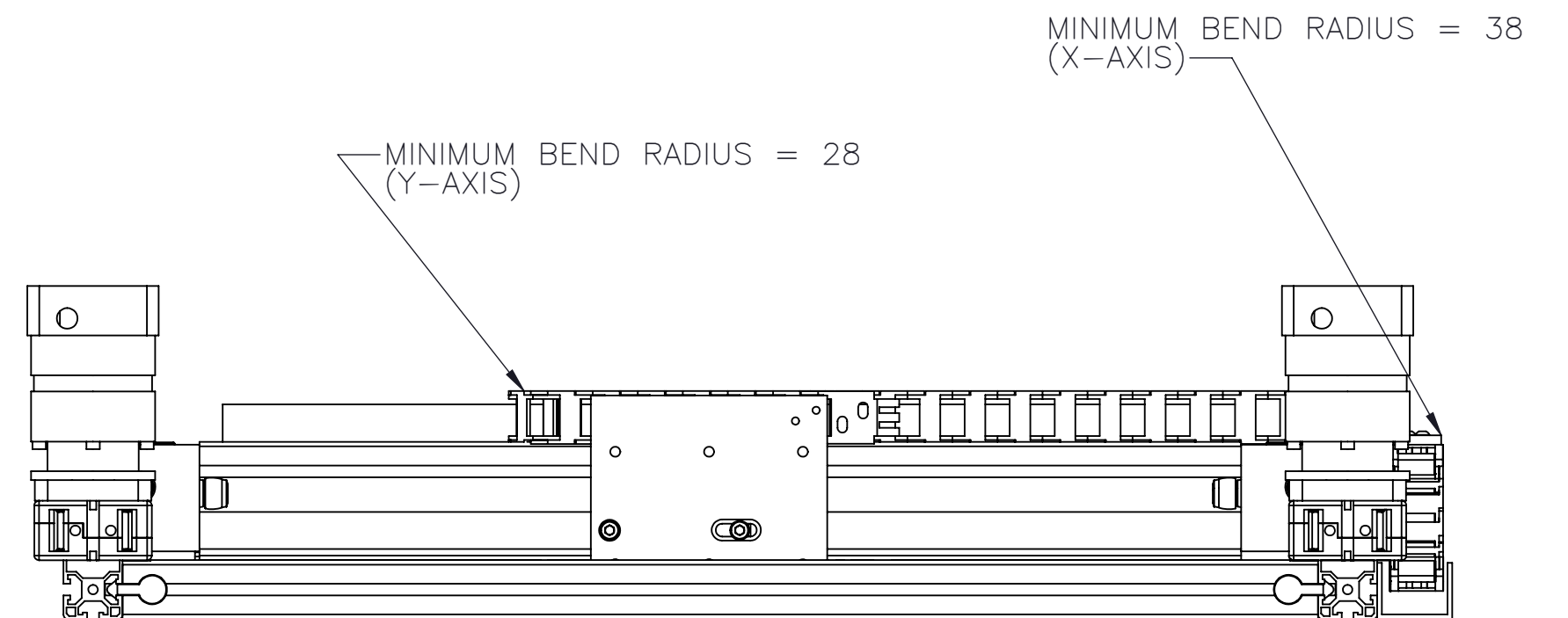
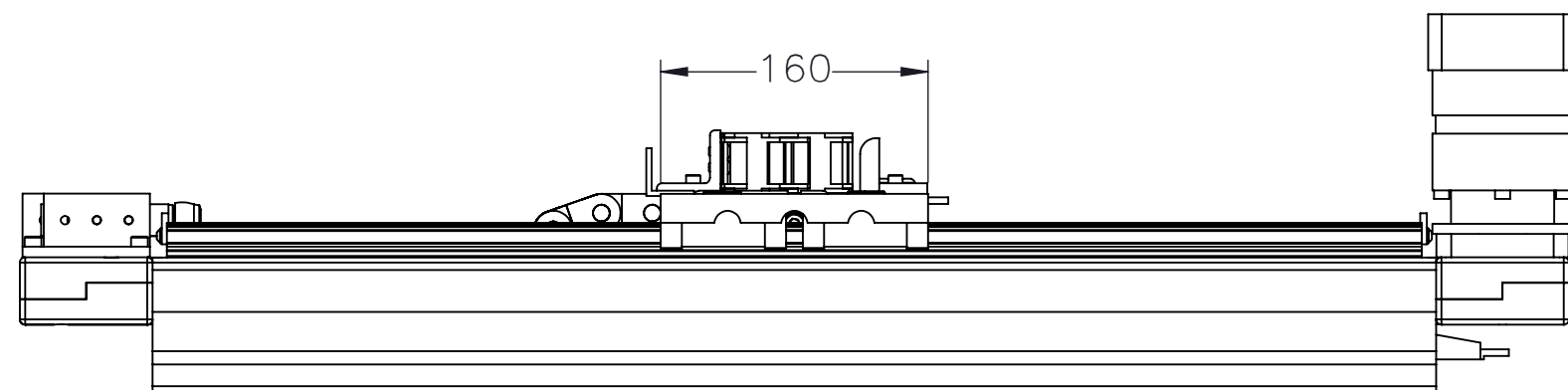



 MACRON DYNAMICS INC	DRAWN BY: JB DATE: 2/10/2016	MATERIAL:	TITLE: MACRON HBG 25 GANTRY
	CHECKED BY: -- DATE: 2/11/2016	FINISH:	
	LAST SAVED BY: rwalls DATE: 9/30/2016		
	UNLESS OTHERWISE SPECIFIED, DIMENSIONS ARE IN MILLIMETERS. TOLERANCES UNLESS NOTED OTHERWISE:	.X ± .762 .XX ± .254 .XXX ± .127 ANG ± 0°30'	
THIS DRAWING IS THE PROPERTY OF MACRON DYNAMICS. ANY REPRODUCTIONS SHALL BE FOR QUOTATION, MANUFACTURING, OR PURCHASING PURPOSES ONLY. RELEASE OF DRAWINGS TO OTHER CONCERNS DOES NOT CONSTITUTE LICENSING IN ANY WAY. INFORMATION CONTAINED HEREIN IS PROPRIETARY AND CONFIDENTIAL	SURFACE FINISH \checkmark BREAK ALL SHARP EDGES DIMENSIONAL LIMITS APPLY AFTER FINISHING THIRD ANGLE PROJECTION	SCALE 1:1 SHEET SIZE C	SHEET PART NUMBER REV 1 OF 6 MGS-HBG-25-X-X-X 00

GANTRY FOOTPRINT

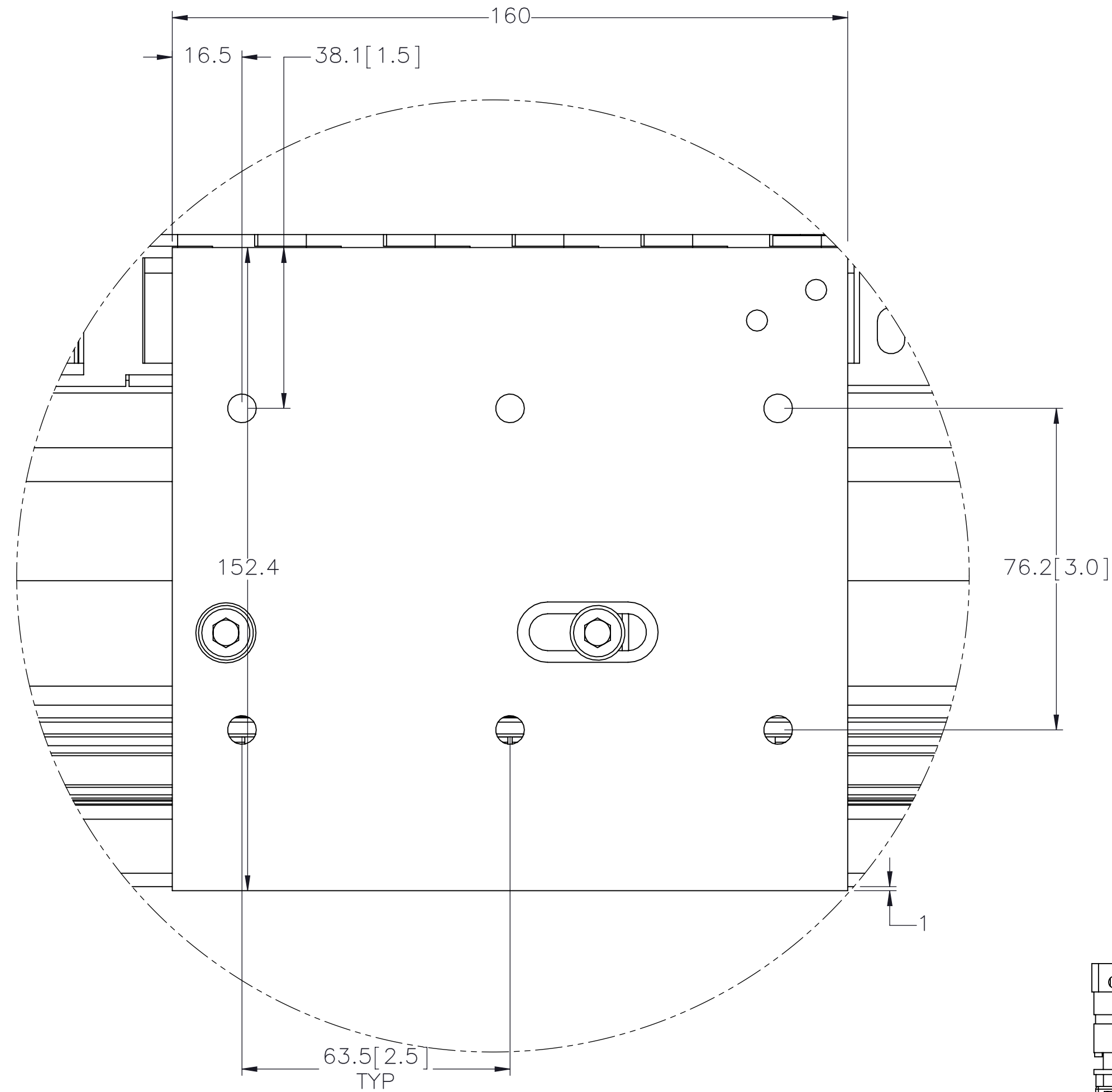


WORK ENVELOPE
(FROM CENTER OF
Y-AXIS CART)

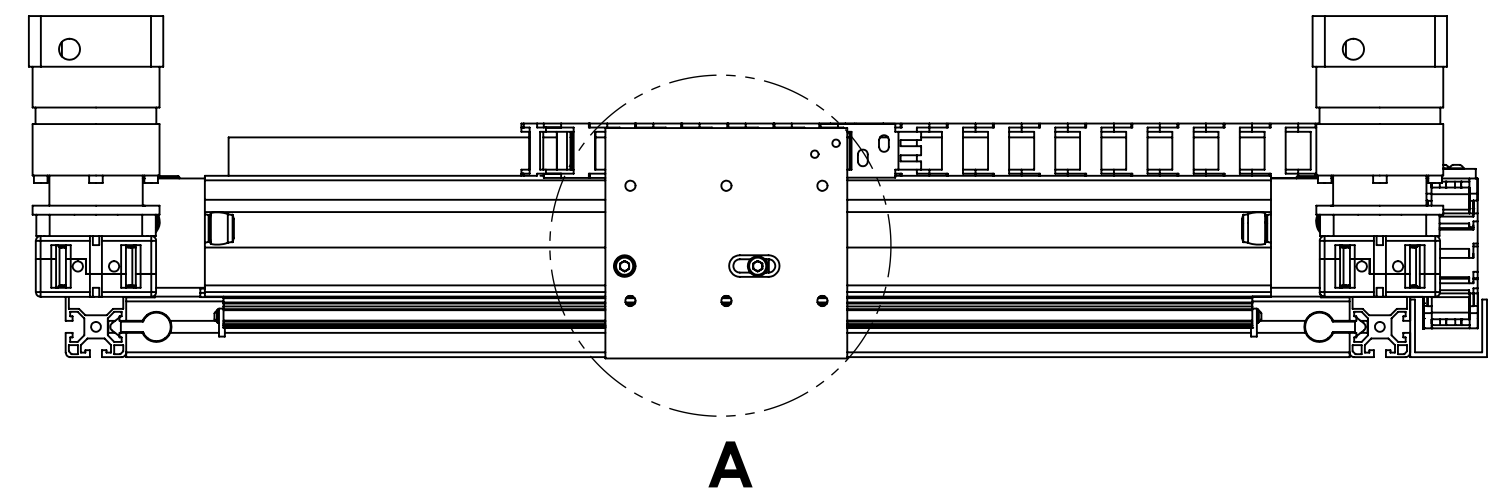



 MACRON DYNAMICS INC	DRAWN BY: JB CHECKED BY: -- LAST SAVED BY: rwalls	DATE: 2/10/2016 DATE: 2/11/2016 DATE: 9/30/2016	MATERIAL:	TITLE: MACRON HBG 25 GANTRY	
	UNLESS OTHERWISE SPECIFIED, DIMENSIONS ARE IN INCHES. TOLERANCES UNLESS NOTED OTHERWISE:		FINISH:	SCALE 1:1 SHEET SIZE C	
	SURFACE FINISH 63		SHEET 2 OF 6	PART NUMBER MGS-HBG-25-X-X-X	REV 00
	THIS DRAWING IS THE PROPERTY OF MACRON DYNAMICS. ANY REPRODUCTIONS SHALL BE FOR QUOTATION, MANUFACTURING, OR PURCHASING PURPOSES ONLY. RELEASE OF DRAWINGS TO OTHER CONCERNS DOES NOT CONSTITUTE LICENSING IN ANY WAY. INFORMATION CONTAINED HEREIN IS PROPRIETARY AND CONFIDENTIAL.		BREAK ALL SHARP EDGES DIMENSIONAL LIMITS APPLY AFTER FINISHING THIRD ANGLE PROJECTION		

CART MOUNTING FEATURES



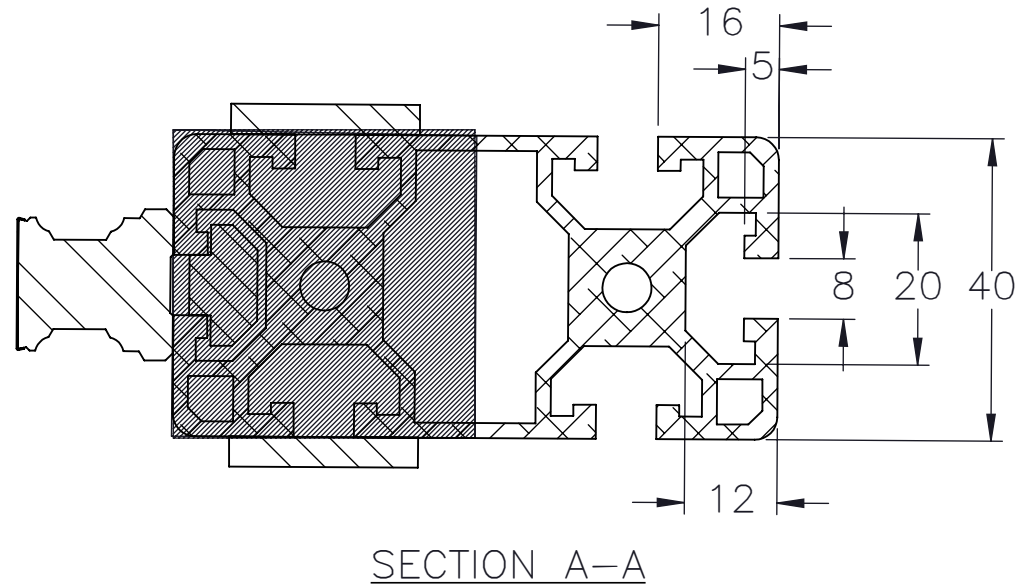
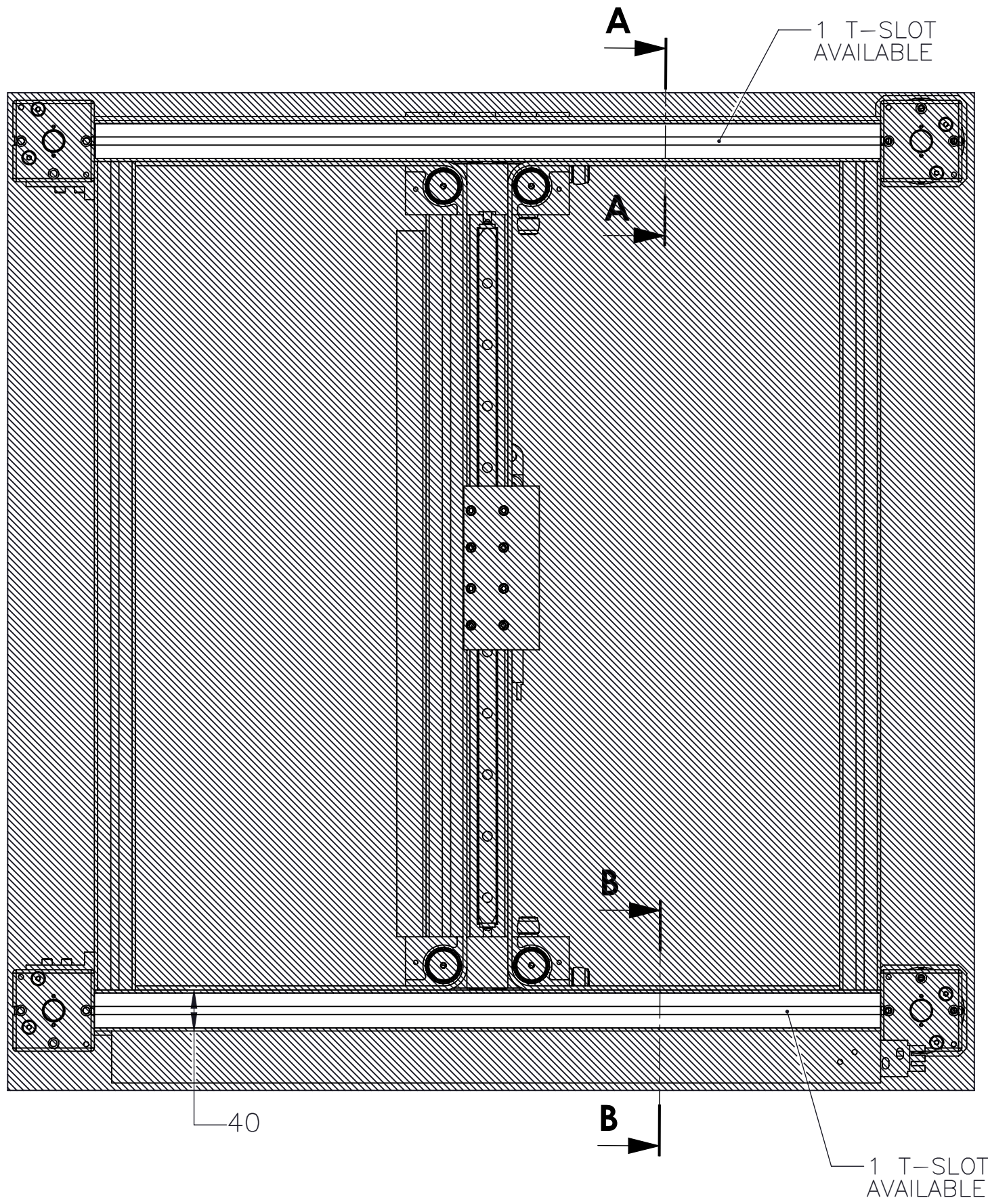
DETAIL A



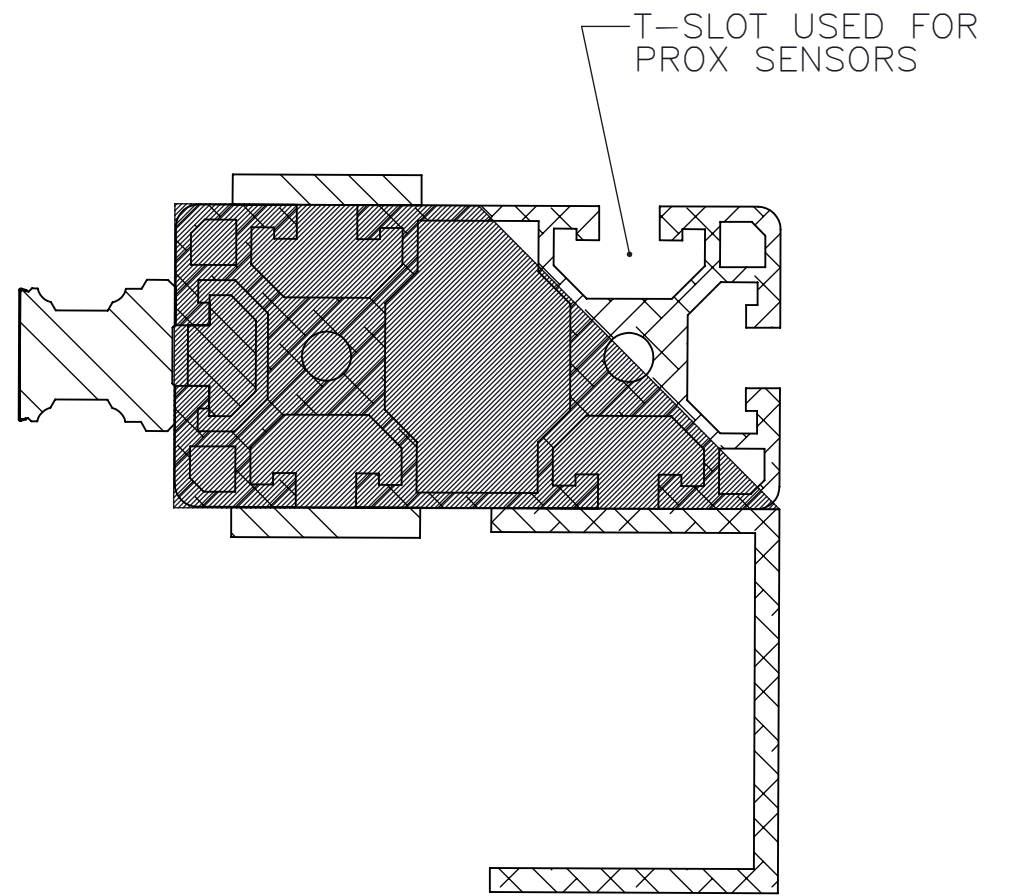
 MACRON DYNAMICS INC	DRAWN BY: JB CHECKED BY: -- LAST SAVED BY: rwalls	DATE: 2/10/2016 DATE: 2/11/2016 DATE: 9/30/2016	MATERIAL:	TITLE: MACRON HBG 25 GANTRY
	UNLESS OTHERWISE SPECIFIED, DIMENSIONS ARE IN INCHES. TOLERANCES UNLESS NOTED OTHERWISE:		FINISH:	SCALE 1:1 SHEET SIZE C
	SURFACE FINISH 63		SHEET 3 OF 6 PART NUMBER MGS-HBG-25-X-X-X	
	THIS DRAWING IS THE PROPERTY OF MACRON DYNAMICS. ANY REPRODUCTIONS SHALL BE FOR QUOTATION, MANUFACTURING, OR PURCHASING PURPOSES ONLY. RELEASE OF DRAWINGS TO OTHER CONCERNS DOES NOT CONSTITUTE LICENSING IN ANY WAY. INFORMATION CONTAINED HEREIN IS PROPRIETARY AND CONFIDENTIAL.		BREAK ALL SHARP EDGES DIMENSIONAL LIMITS APPLY AFTER FINISHING THIRD ANGLE PROJECTION	

GANTRY MOUNTING FEATURES


BOTTOM VIEW



SECTION A-A

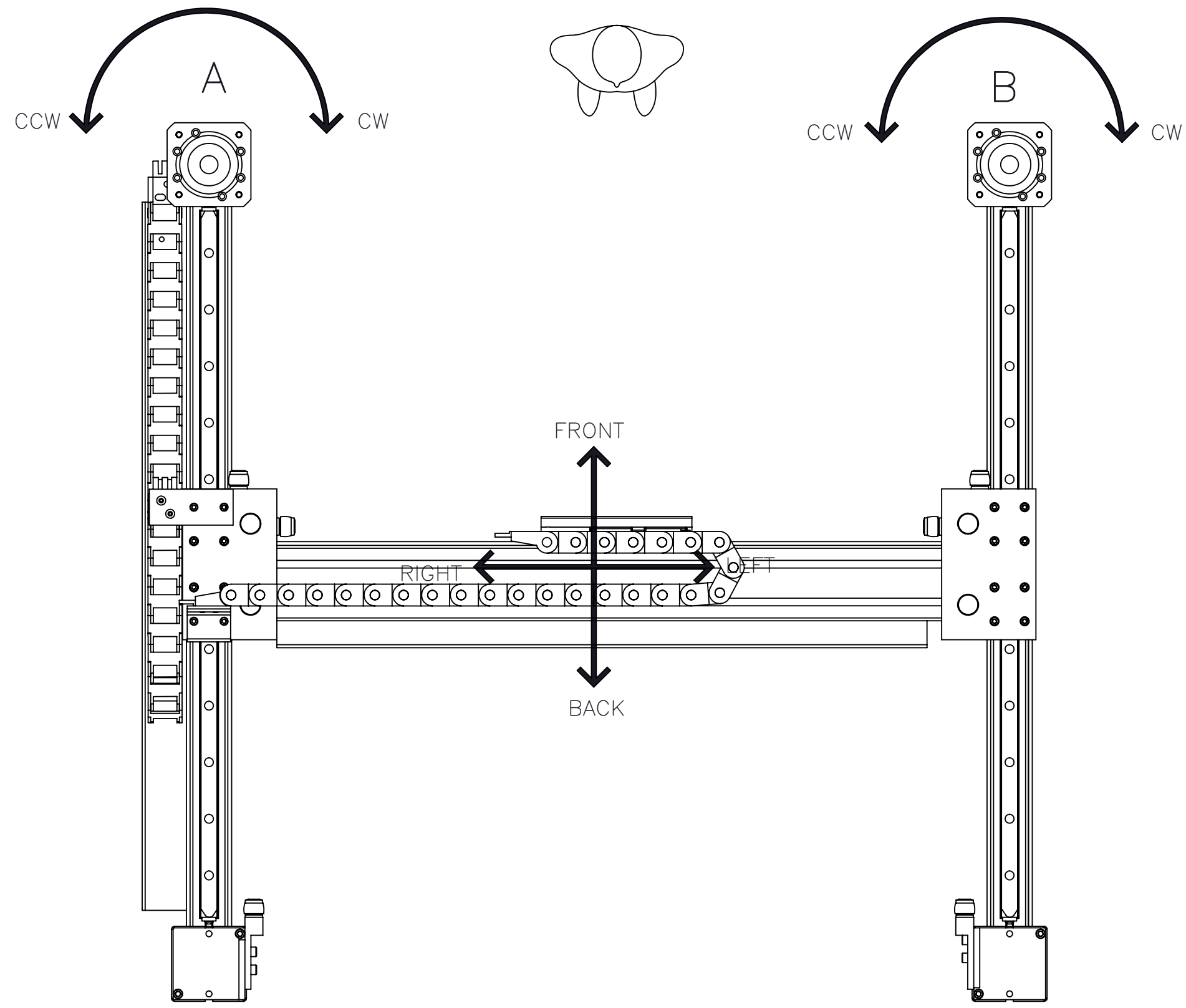


SECTION B-B

 MACRON DYNAMICS INC	DRAWN BY: JB DATE: 2/10/2016	MATERIAL:	TITLE: MACRON HBG 25 GANTRY
	CHECKED BY: -- DATE: 2/11/2016	FINISH:	
	LAST SAVED BY: rwalls DATE: 9/30/2016	UNLESS OTHERWISE SPECIFIED, DIMENSIONS ARE IN INCHES: TOLERANCES UNLESS NOTED OTHERWISE: .X ± .762 .XX ± .254 .XXX ± .127 ANG ± 0°30'	
	SURFACE FINISH 63		
THIS DRAWING IS THE PROPERTY OF MACRON DYNAMICS. ANY REPRODUCTIONS SHALL BE FOR QUOTATION, MANUFACTURING, OR PURCHASING PURPOSES ONLY. RELEASE OF DRAWINGS TO OTHER CONCERNS DOES NOT CONSTITUTE LICENSING IN ANY WAY. INFORMATION CONTAINED HEREIN IS PROPRIETARY AND CONFIDENTIAL.		SCALE 1:1 SHEET SIZE C	SHEET 4 OF 6 PART NUMBER MGS-HBG-25-X-X-X REV 00
BREAK ALL SHARP EDGES DIMENSIONAL LIMITS APPLY AFTER FINISHING THIRD ANGLE PROJECTION			

MOTOR DYNAMICS


(ASSUMES MOTORS ARE ROTATING AT SAME ANGULAR VELOCITY)



TOP VIEW

PULLEY ROTATION AND Y-AXIS CART MOVEMENT ARE WITH RESPECT TO THIS GANTRY VIEW

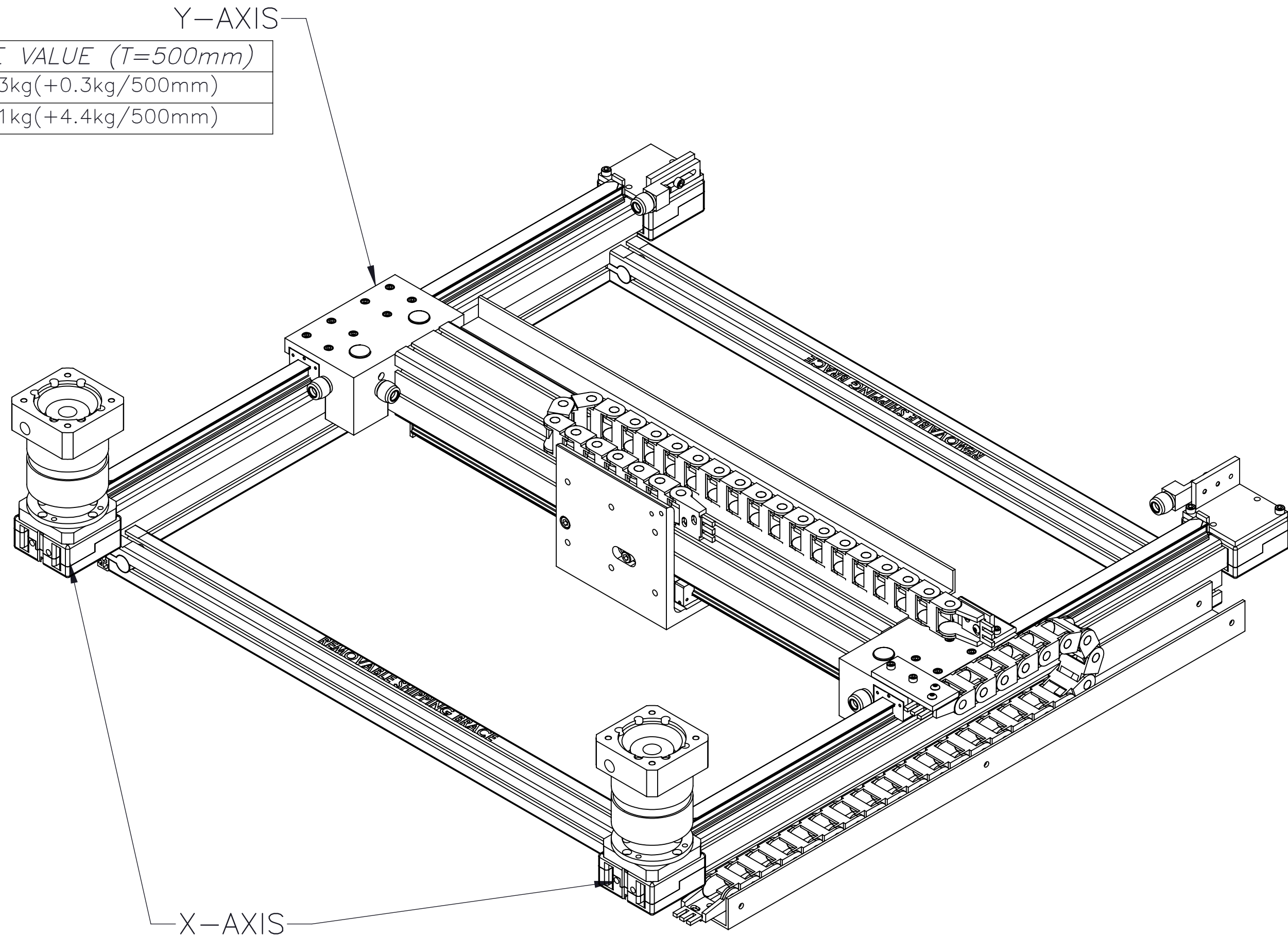
ROTATIONAL DIRECTION		Y-AXIS CART MOVEMENT
PULLEY A	PULLEY B	
CW	CW	LEFT
CW	CCW	BACK
CCW	CW	FRONT
CCW	CCW	RIGHT

 MACRON DYNAMICS INC	DRAWN BY: JB DATE: 2/10/2016	MATERIAL:	TITLE: MACRON HBG 25 GANTRY								
	CHECKED BY: -- DATE: 2/11/2016	FINISH:									
	LAST SAVED BY: rwalls DATE: 9/30/2016	UNLESS OTHERWISE SPECIFIED, DIMENSIONS ARE IN INCHES. TOLERANCES UNLESS NOTED OTHERWISE: <table border="0"> <tr><td>.X ±</td><td>.762</td></tr> <tr><td>.XX ±</td><td>.254</td></tr> <tr><td>.XXX ±</td><td>.127</td></tr> <tr><td>ANG ±</td><td>0°30'</td></tr> </table>		.X ±	.762	.XX ±	.254	.XXX ±	.127	ANG ±	0°30'
	.X ±	.762									
.XX ±	.254										
.XXX ±	.127										
ANG ±	0°30'										
SURFACE FINISH 63		SCALE 1:1 SHEET SIZE C									
<small>THIS DRAWING IS THE PROPERTY OF MACRON DYNAMICS. ANY REPRODUCTIONS SHALL BE FOR QUOTATION, MANUFACTURING, OR PURCHASING PURPOSES ONLY. RELEASE OF DRAWINGS TO OTHER CONCERNS DOES NOT CONSTITUTE LICENSING IN ANY WAY. INFORMATION CONTAINED HEREIN IS PROPRIETARY AND CONFIDENTIAL.</small>	BREAK ALL SHARP EDGES DIMENSIONAL LIMITS APPLY AFTER FINISHING THIRD ANGLE PROJECTION	SHEET 5 OF 6 PART NUMBER MGS-HBG-25-X-X-X	REV 00								

MOTOR SIZING INFORMATION

(INCREMENTAL ADDERS REFER TO MASS PER TRAVEL LENGTH)

PROPERTY	BASE VALUE (T=500mm)
MOVING MASS	3.3kg(+0.3kg/500mm)
SYSTEM MASS	8.1kg(+4.4kg/500mm)




X-TRAVEL = _____ mm

Y-TRAVEL = _____ mm

PROPERTY	BASE VALUE (T=500mm)
*MOVING MASS	3.0kg(+0.3kg/500mm)
PULLEY PITCH ϕ	47.75mm (1.88")
PULLEY WIDTH	28.9mm (1.14")
PULLEY MATERIAL	STEEL
TRAVEL PER REV	150mm
*ADD SYSTEM MASS OF Y-AXIS TO VALUE	

Y-AXIS	MOVING MASS	$(Y-TRAVEL \times .0006) + 2.69 = \text{kg}$
	SYSTEM MASS {1}	$(Y-TRAVEL \times .0087) + 3.73 = \text{kg}$
X-AXIS	MOVING MASS	$(X-TRAVEL \times .0006) + 2.97 + \{1\} = \text{kg}$
	BELT MASS	$[\{(2 \times X-TRAVEL) + Y-TRAVEL\} \times .0006] + 0.73 = \text{kg}$

 MACRON DYNAMICS INC	DRAWN BY: JB CHECKED BY: -- LAST SAVED BY: rwalls	DATE: 2/10/2016 DATE: 2/11/2016 DATE: 9/30/2016	MATERIAL:	TITLE: MACRON HBG 25 GANTRY
	UNLESS OTHERWISE SPECIFIED, DIMENSIONS ARE IN INCHES. TOLERANCES UNLESS NOTED OTHERWISE:		FINISH:	SCALE 1:1 SHEET SIZE C
	SURFACE FINISH 63		BREAK ALL SHARP EDGES DIMENSIONAL LIMITS APPLY AFTER FINISHING	SHEET 6 OF 6 PART NUMBER MGS-HBG-25-X-X-X

THIS DRAWING IS THE PROPERTY OF MACRON DYNAMICS. ANY REPRODUCTIONS SHALL BE FOR QUOTATION, MANUFACTURING, OR PURCHASING PURPOSES ONLY. RELEASE OF DRAWINGS TO OTHER CONCERNS DOES NOT CONSTITUTE LICENSING IN ANY WAY. INFORMATION CONTAINED HEREIN IS PROPRIETARY AND CONFIDENTIAL.

THIRD ANGLE PROJECTION