

MRA-RTU-1-00-   -

GEARBOX MODEL  
 MPG-084\_\_\_\_  
 RATIO: \_\_\_\_\_

MOTOR INFORMATION  
 MANUFACTURER: \_\_\_\_\_  
 MODEL: \_\_\_\_\_

SENSOR INFORMATION X-AXIS:  
 HOME-QTY \_\_\_\_ 244-\_\_\_\_\_  
 EOT-QTY \_\_\_\_ 244-\_\_\_\_\_  
 (SEE T-SLOT SENSOR KIT SHEET FOR PART NUMBER CONFIGURATION)

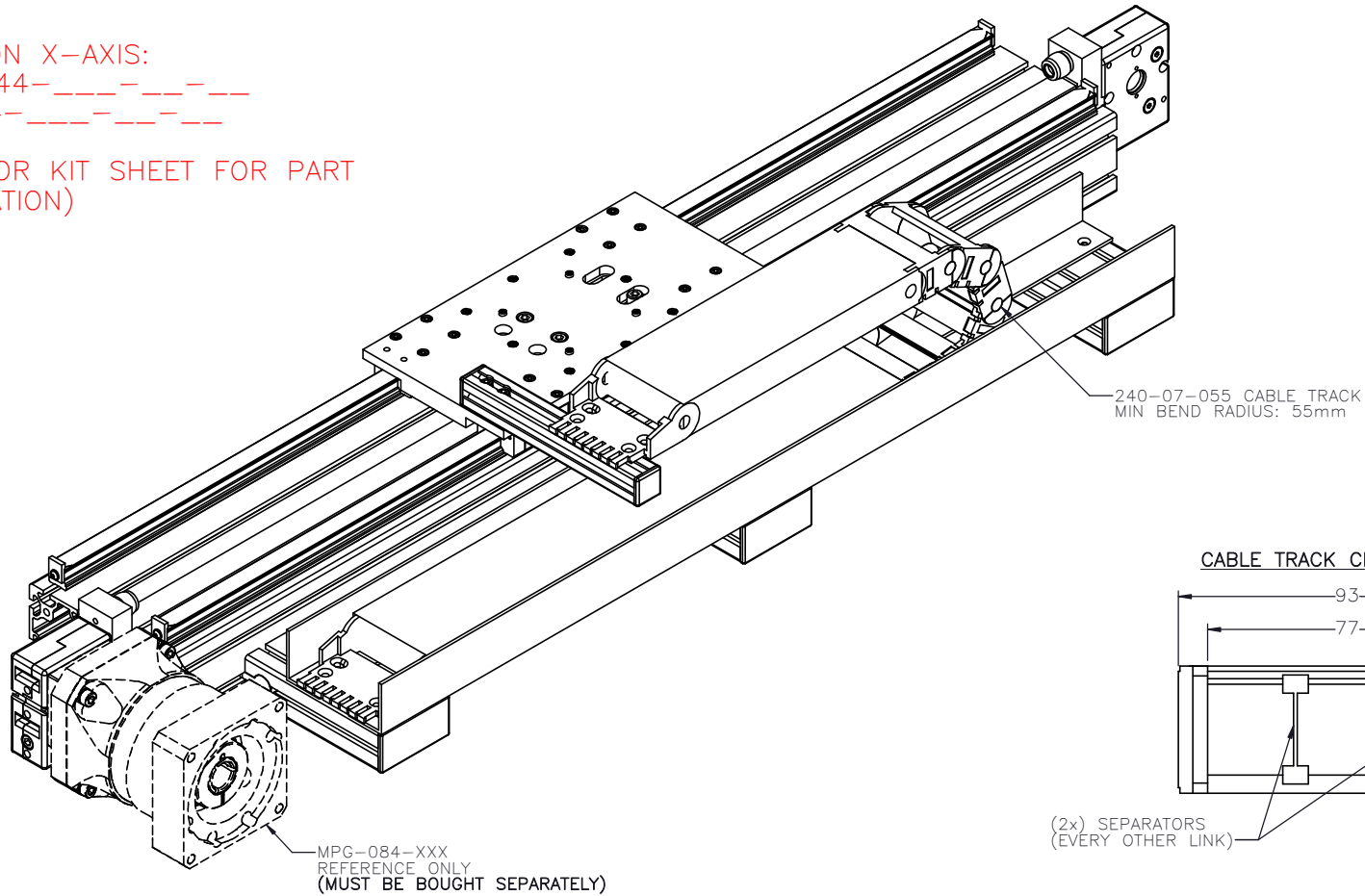
*ENTER*  
 TRAVEL IN INCREMENTS OF 250mm  
 TRAVEL LIMITS: 250mm-5650mm

*SELECT*  
 DRIVE SHAFT LOCATION, SEE PAGE 2

*SHAFTING TYPE*  
 A0=SINGLE SHAFTED  
 B0=DOUBLE SHAFTED

AM=SINGLE SHAFTED W/ MOTOR MOUNT  
 BM=DOUBLE SHAFTED W/ MOTOR MOUNT

\*IF TRAVEL IS OUTSIDE LIMITS LISTED, CONTACT MACRON\*



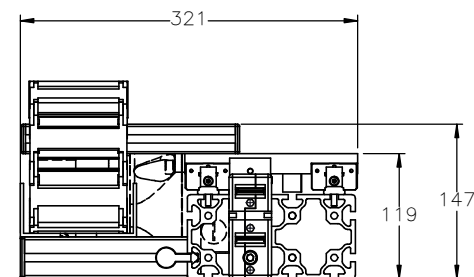
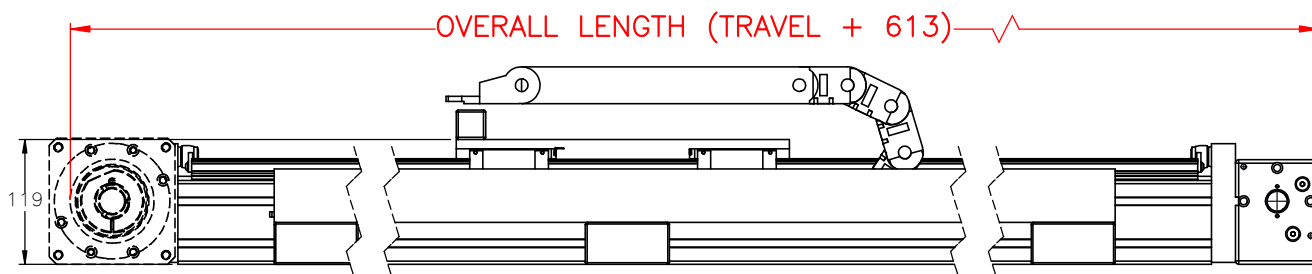
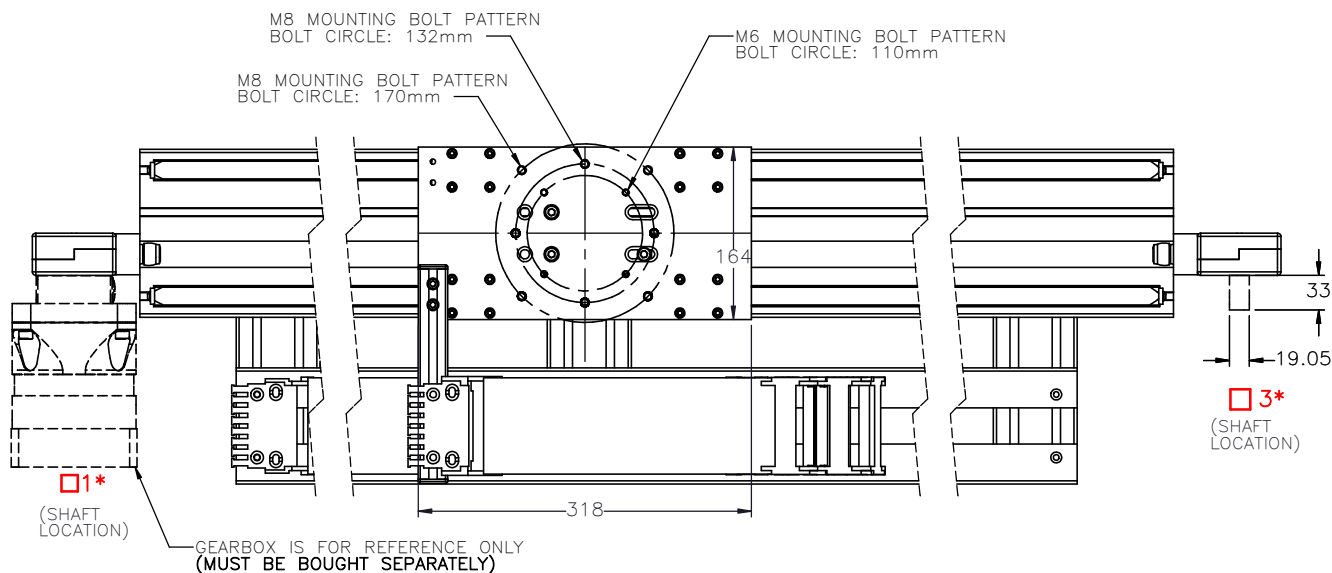
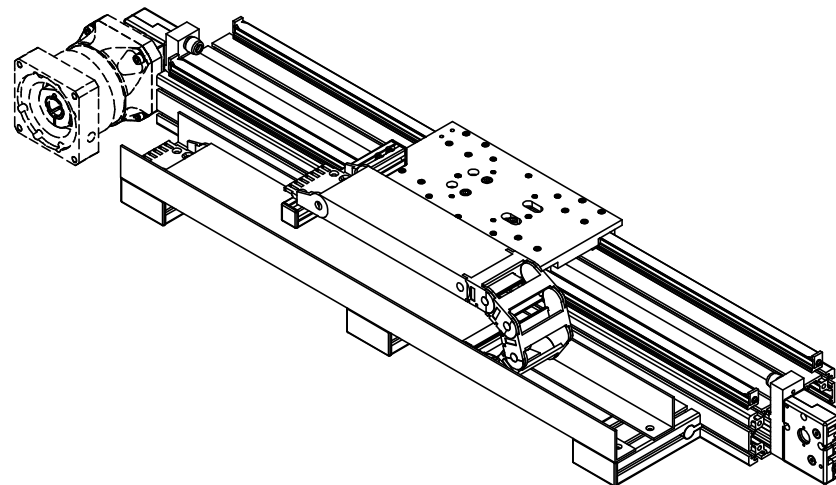
APPROVED: \_\_\_\_\_  
SIGN & PRINT

DATE: \_\_\_\_\_

PO:REFERENCE#: \_\_\_\_\_

	DRAWN BY: TH      DATE: 3/6/2012      MATERIAL:	TITLE: MACRON RTU SYSTEM
	CHECKED BY: --      DATE: DD/MM/YYYY	
LAST SAVED BY: jattia      DATE: 3/18/2020	FINISH:	SCALE: 1:1      SHEET SIZE: C
<small>UNLESS OTHERWISE SPECIFIED:          DIMENSIONS ARE IN MILLIMETER          TOLERANCES UNLESS NOTED          OTHERWISE:      .XX ± .254                                   .XXX ± .127                                   ANG ± 0°30'</small>	SURFACE FINISH: <input checked="" type="checkbox"/>	SHEET: 1 OF 4      PART NUMBER: MRA-RTU-1-00-A01-XXXX
<small>THIS DRAWING IS THE PROPERTY OF MACRON DYNAMICS          ANY REPRODUCTIONS SHALL BE FOR QUOTATION,          MANUFACTURING OR PURCHASING PURPOSES ONLY.          RELEASE OF DRAWINGS TO OTHER CONCERNS DOES NOT          CONSTITUTE LICENSING IN ANY WAY. INFORMATION          CONTAINED HEREIN IS PROPRIETARY AND CONFIDENTIAL.</small>	BREAK ALL SHARP EDGES DIMENSIONAL LIMITS APPLY AFTER FINISHING THIRD ANGLE PROJECTION	REV:

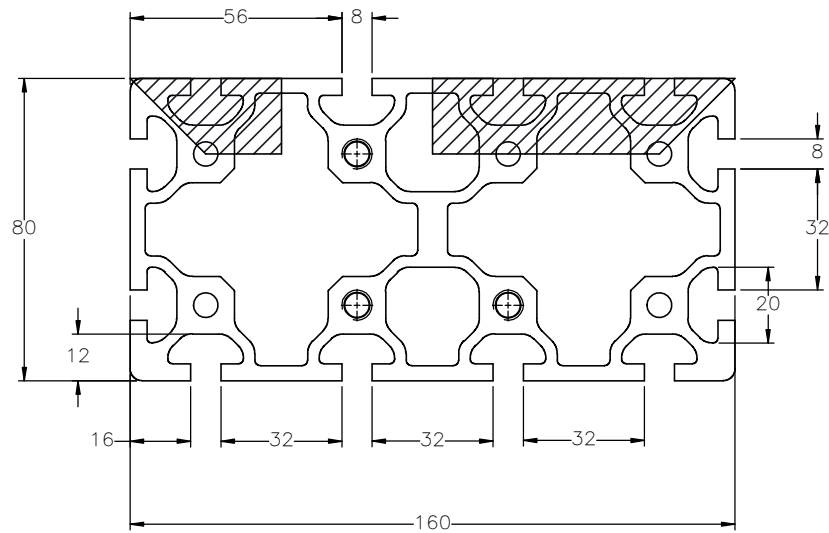
PROPERTY	BASE VALUE (T=250mm)
MOVING MASS	4.75kg(+0.0253kg/25mm)
BELT MASS	0.274kg(+0.00313kg/25mm)
PULLEY PITCH DIAMETER	47.75mm (1.880")
PULLEY WIDTH	28.9mm (1.138")
PULLEY MATERIAL	STEEL
BELT WEIGHT	.0063 lb/in or 2.9g/25mm
TRAVEL PER REV.	150mm
TRAVEL MIN.	150mm
TRAVEL MAX.	5650mm



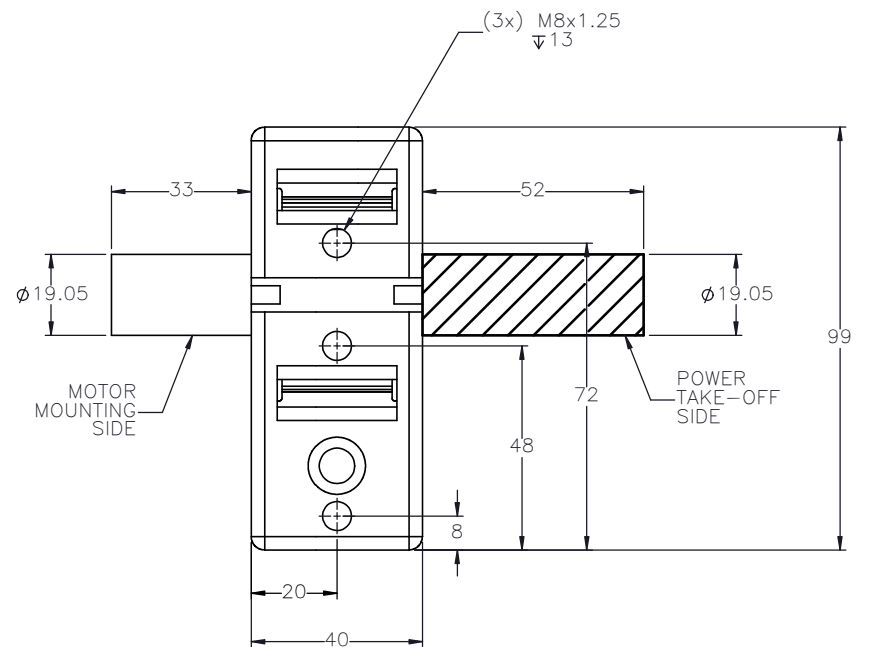
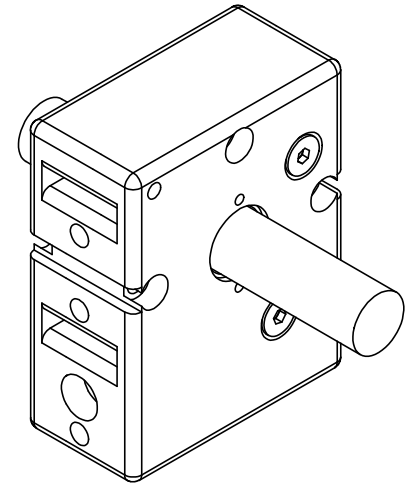
	DRAWN BY: PHW    DATE: 3/6/2012 CHECKED BY: --    DATE: DD/MM/YYYY LAST SAVED BY: jattia    DATE: 3/18/2020	MATERIAL:	TITLE: MACRON RTU SYSTEM
	UNLESS OTHERWISE SPECIFIED: DIMENSIONS ARE IN MILLIMETERS: TOLERANCES UNLESS NOTED: OTHER: ANG ± 0°30'	FINISH:	SCALE: 1:1    SHEET SIZE: C
	SURFACE FINISH: ✓	SHEET: 2 OF 4	PART NUMBER: MRA-RTU-1-00-A01-XXXX
	THIS DRAWING IS THE PROPERTY OF MACRON DYNAMICS ANY REPRODUCTIONS SHALL BE FOR QUOTATION, MANUFACTURING OR PURCHASING PURPOSES ONLY. RELEASE OF DRAWINGS TO OTHER CONCERNS DOES NOT CONSTITUTE LICENSING IN ANY WAY. INFORMATION CONTAINED HEREIN IS PROPRIETARY AND CONFIDENTIAL.	BREAK ALL SHARP EDGES DIMENSIONAL LIMITS APPLY AFTER FINISHING THIRD ANGLE PROJECTION	REV

SPECIFICATIONS ARE SUBJECT TO CHANGE WITHOUT NOTICE

# ACTUATOR BODY MOUNTING FEATURES T-NUT SLOTS



# SHAFTED PULLEY



**MACRON DYNAMICS INC**

DRAWN BY: PHW DATE: 3/6/2012 MATERIAL:  
 CHECKED BY: -- DATE: DD/MM/YYYY  
 LAST SAVED BY: jattia DATE: 3/18/2020  
 UNLESS OTHERWISE SPECIFIED: .X ± .762  
 DIMENSIONS ARE IN MILLIMETERS: .XX ± .254  
 TOLERANCES UNLESS NOTED: .XXX ± .127  
 OTHERWISE: ANG ± 0°30'

SURFACE FINISH   
 BREAK ALL SHARP EDGES  
 DIMENSIONAL LIMITS APPLY AFTER FINISHING  
**THIRD ANGLE PROJECTION**

SHEET  
**3 OF 4**

PART NUMBER  
**MRA-RTU-1-00-A01-XXXX**

TITLE:  
**MACRON RTU SYSTEM**

SCALE: 1:1 SHEET SIZE: C

SPECIFICATIONS ARE SUBJECT TO CHANGE WITHOUT NOTICE

THIS DRAWING IS THE PROPERTY OF MACRON DYNAMICS. ANY REPRODUCTIONS SHALL BE FOR QUOTATION, MANUFACTURING OR PURCHASING PURPOSES ONLY. RELEASE OF DRAWINGS TO OTHER CONCERNS DOES NOT CONSTITUTE LICENSING IN ANY WAY. INFORMATION CONTAINED HEREIN IS PROPRIETARY AND CONFIDENTIAL.

# SPECIFICATIONS

Sensor Type	Inductive
Sensor Size	Fits all 8mm wide T-Slots
Operating Voltage	10-30 VDC
Voltage Drop Across Conducting Sensor	≤1.8 V at 100 mA
Number of Conductors (AWG)	3x26 AWG
Temperature Range	-40°C to 105°C

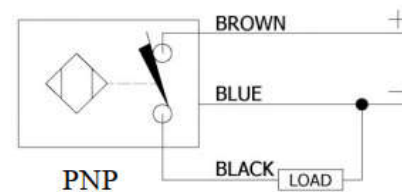
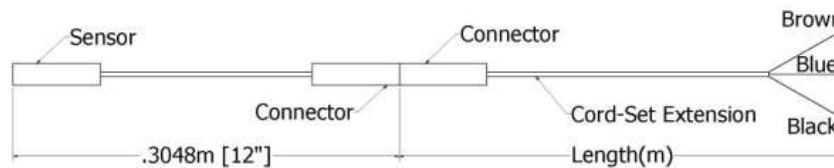
# Part Number Configuration

## 244- \_ \_ \_ - \_ \_ \_

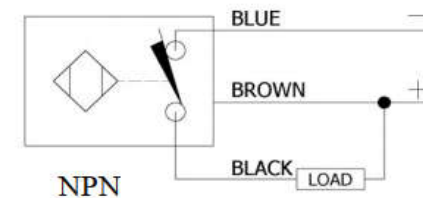
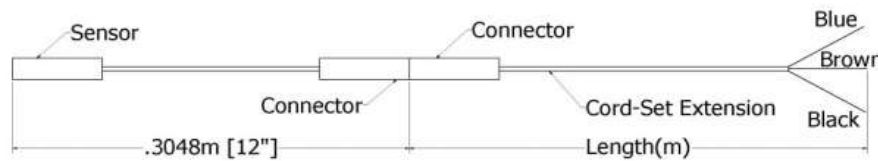
PNP or NPN	NC or NO	02	Meters
PNP or NPN	NC or NO	06	Meters
PNP or NPN	NC or NO	12	Meters

Example: PNP, normally closed, cord-set extension length 6 meters = 244-PNP-NC-06

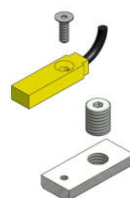
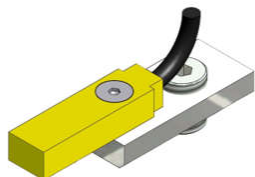
### PNP Diagrams




### NPN Diagrams



KIT INCLUDES – SENSOR, CORDSET EXTENSION, AND MOUNTING HARDWARE



 <b>MACRON DYNAMICS INC</b>	DRAWN BY: JA    DATE: 2/27/2020 CHECKED BY: --    DATE: DD/MM/YYYY LAST SAVED BY: JA    DATE: 3/30/2020	MATERIAL:	TITLE:
	UNLESS OTHERWISE SPECIFIED, DIMENSIONS ARE IN MILLIMETERS. TOLERANCES UNLESS NOTED OTHERWISE: SURFACE FINISH: <input checked="" type="checkbox"/> BREAK ALL SHARP EDGES DIMENSIONAL LIMITS APPLY AFTER FINISHING THIRD ANGLE PROJECTION	FINISH:	T-SLOT SENSOR KIT
THIS DRAWING IS THE PROPERTY OF MACRON DYNAMICS. ANY REPRODUCTIONS SHALL BE FOR QUOTATION, MANUFACTURING OR PURCHASING PURPOSES ONLY. RELEASE OF DRAWINGS TO OTHER CONCERNS DOES NOT CONSTITUTE LICENSING IN ANY WAY. INFORMATION CONTAINED HEREIN IS PROPRIETARY AND CONFIDENTIAL.	SHEET: 5 OF 5	PART NUMBER: SENSOR CALL-OUT	REV: C