

MRA-RTU-0-00- -

GEARBOX MODEL
 MPG-084____
 RATIO: _____

MOTOR INFORMATION
 MANUFACTURER: _____
 MODEL: _____

SENSOR INFORMATION X-AXIS:
 HOME-QTY ____ 244-____-____-____
 EOT-QTY ____ 244-____-____-____

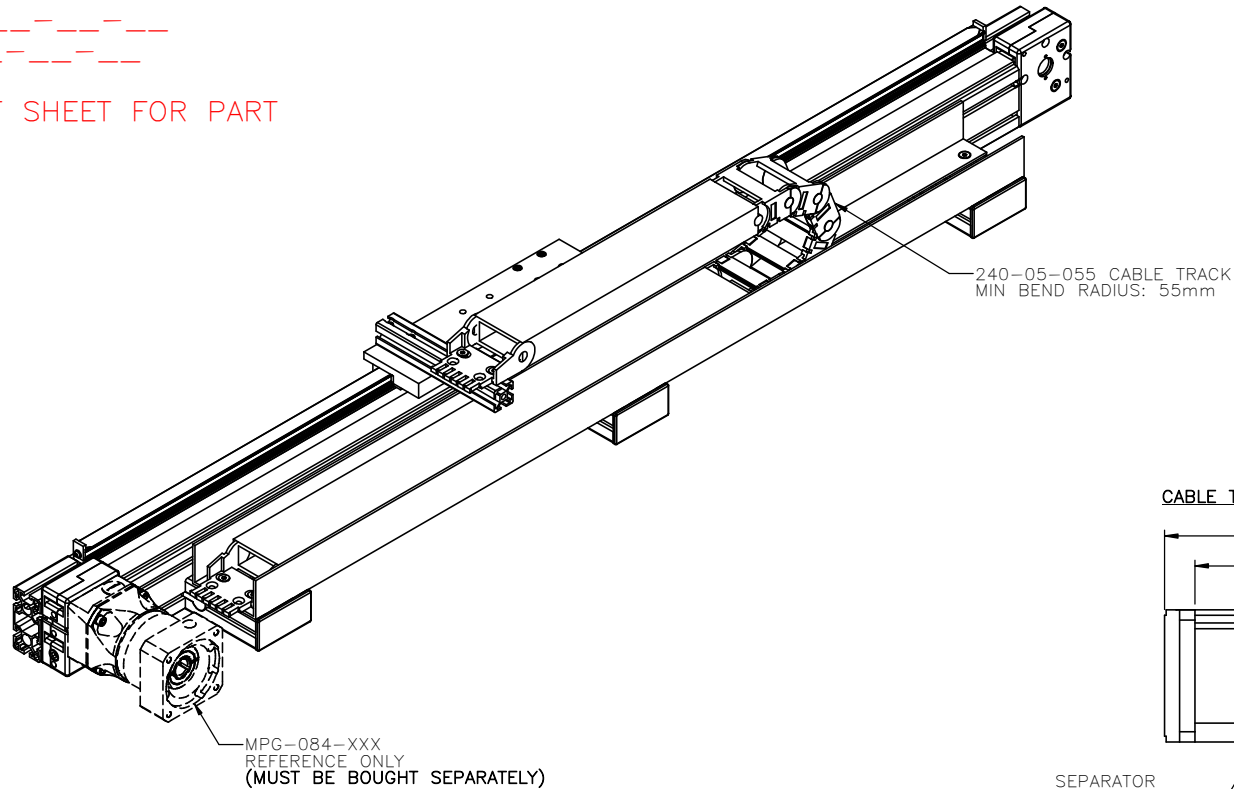
(SEE T-SLOT SENSOR KIT SHEET FOR PART NUMBER CONFIGURATION)

ENTER
 TRAVEL IN INCREMENTS OF 250mm
 TRAVEL LIMITS: 250mm-5650mm

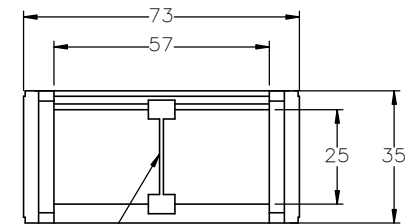
SELECT
 DRIVE SHAFT LOCATION, SEE PAGE 2
SHAFTING TYPE
 A0=SINGLE SHAFTED
 B0=DOUBLE SHAFTED

NOTE: (IF "B" IS USED THE NUMBER WILL DESIGNATE POSITION OF SHORT SHAFT, SECOND SHAFT WILL BE 50.8mm LONG.)
 AM=SINGLE SHAFTED W/ MOTOR MOUNT
 BM=DOUBLE SHAFTED W/ MOTOR MOUNT

IF TRAVEL IS OUTSIDE LIMITS LISTED, CONTACT MACRON



CABLE TRACK CROSS SECTION




SEPARATOR
 (EVERY OTHER LINK)

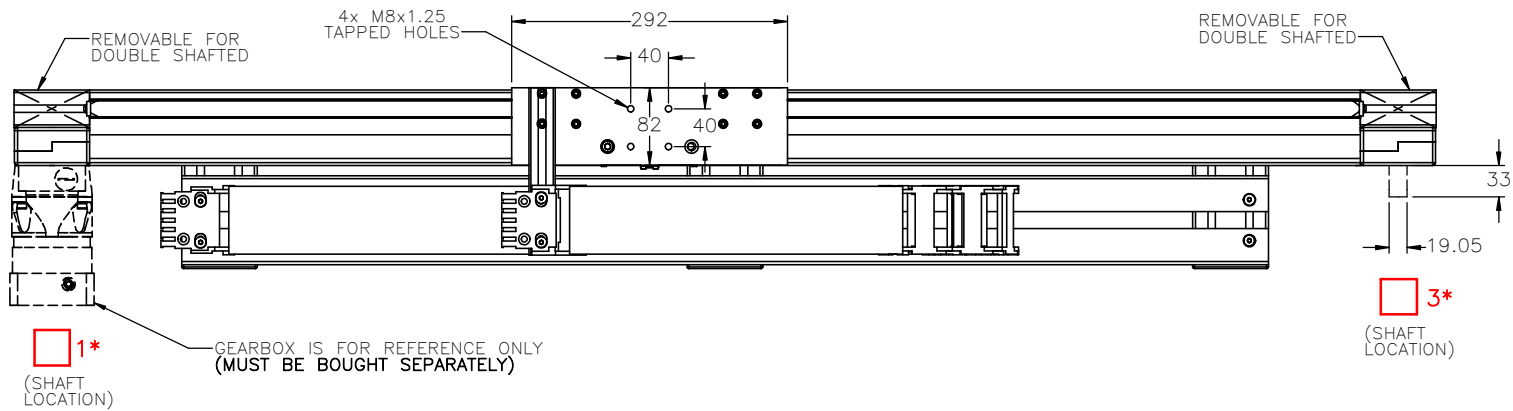
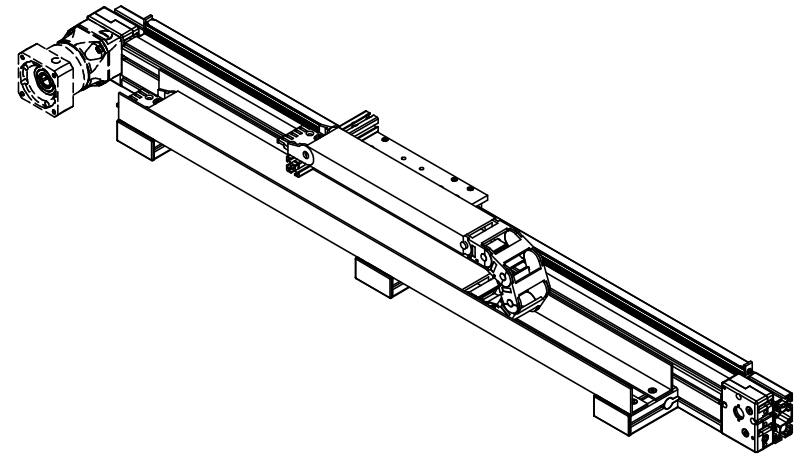
APPROVED: _____

DATE: _____

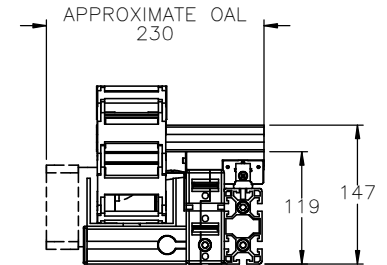
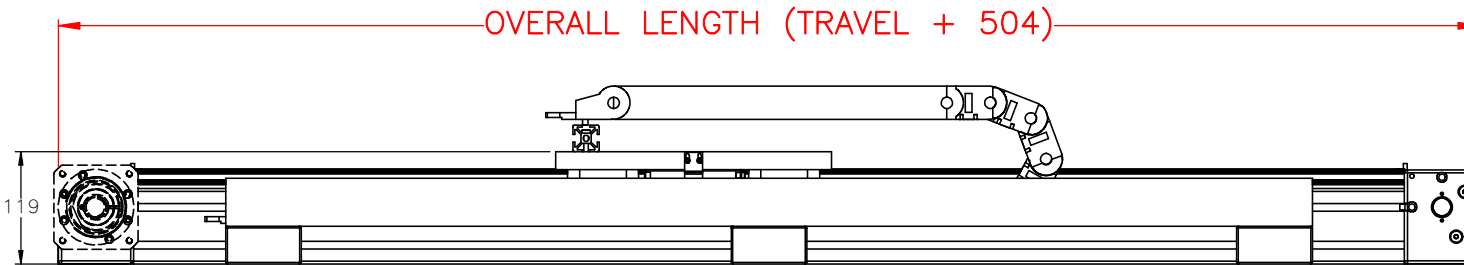
PO:REFERENCE#: _____


 MACRON DYNAMICS INC	DRAWN BY: JA DATE: 2/25/2020 CHECKED BY: -- DATE: DD/MM/YYYY LAST SAVED BY: jattia DATE: 3/23/2020	MATERIAL:	TITLE: MACRON RTU SYSTEM
	<small>UNLESS OTHERWISE SPECIFIED, DIMENSIONS ARE IN MILLIMETERS. TOLERANCES, UNLESS NOTED OTHERWISE:</small> .X ± .762 .XX ± .254 .XXX ± .127 ANG ± 0°30'	FINISH:	SCALE: 1:1
THIS DRAWING IS THE PROPERTY OF MACRON DYNAMICS. ANY REPRODUCTIONS SHALL BE FOR QUOTATION, MANUFACTURING OR PURCHASING PURPOSES ONLY. RELEASE OF DRAWINGS TO OTHER CONCERNS DOES NOT CONSTITUTE LICENSING IN ANY WAY. INFORMATION CONTAINED HEREIN IS PROPRIETARY AND CONFIDENTIAL.	SURFACE FINISH: <input checked="" type="checkbox"/> BREAK ALL SHARP EDGES DIMENSIONAL LIMITS APPLY AFTER FINISHING THIRD ANGLE PROJECTION	SHEET: 1 OF 4 PART NUMBER: MRA-RTU-0-00-A01-XXXXX	REV:

PROPERTY	BASE VALUE (T=250mm)
MOVING MASS	2.67kg(+0.0225kg/25mm)
BELT MASS	0.250kg(+0.00313kg/25mm)
PULLEY PITCH DIAMETER	47.75mm (1.880")
PULLEY WIDTH	28.9mm (1.138")
PULLEY MATERIAL	STEEL
BELT WEIGHT	.0063 lb/in or 2.9g/25mm
TRAVEL PER REV.	150mm
TRAVEL MIN.	150mm
TRAVEL MAX.	5650mm



3*
(SHAFT LOCATION)

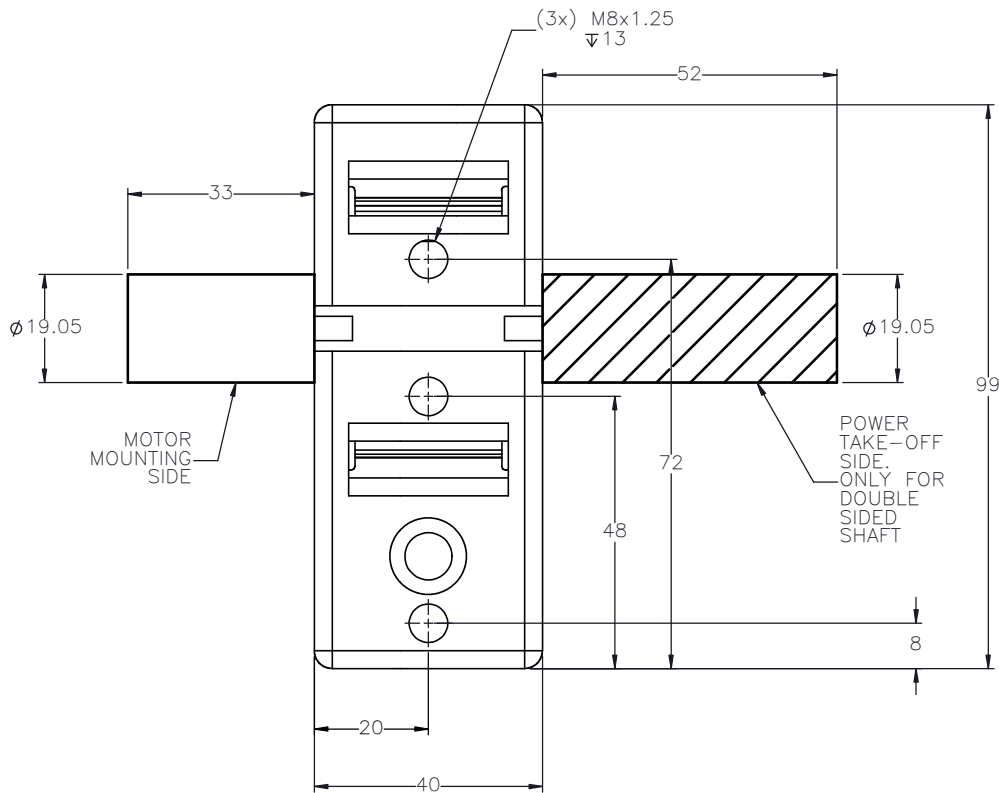
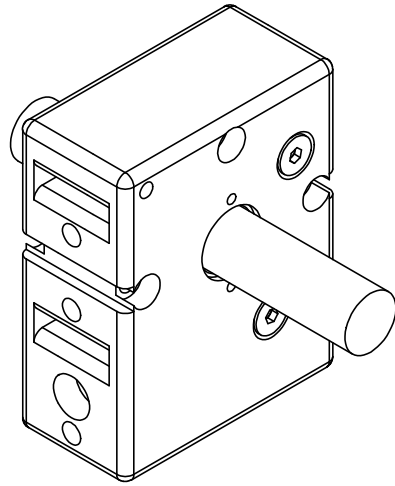


 MACRON DYNAMICS INC	DRAWN BY: JA DATE: 2/25/2020 CHECKED BY: -- DATE: DD/MM/YYYY LAST SAVED BY: jattia DATE: 3/23/2020	MATERIAL:	TITLE: MACRON RTU SYSTEM	
	UNLESS OTHERWISE SPECIFIED, DIMENSIONS ARE IN INCHES. TOLERANCES UNLESS NOTED OTHERWISE:	.X ± .03 .XX ± .010 .XXX ± .005 ANG ± 0°30'	FINISH:	SCALE: 1:1 SHEET SIZE: C
	SURFACE FINISH: 63 BREAK ALL SHARP EDGES DIMENSIONAL LIMITS APPLY AFTER FINISHING THIRD ANGLE PROJECTION		SHEET: 2 OF 4 PART NUMBER: MRA-RTU-0-00-A01-XXXX	REV: C

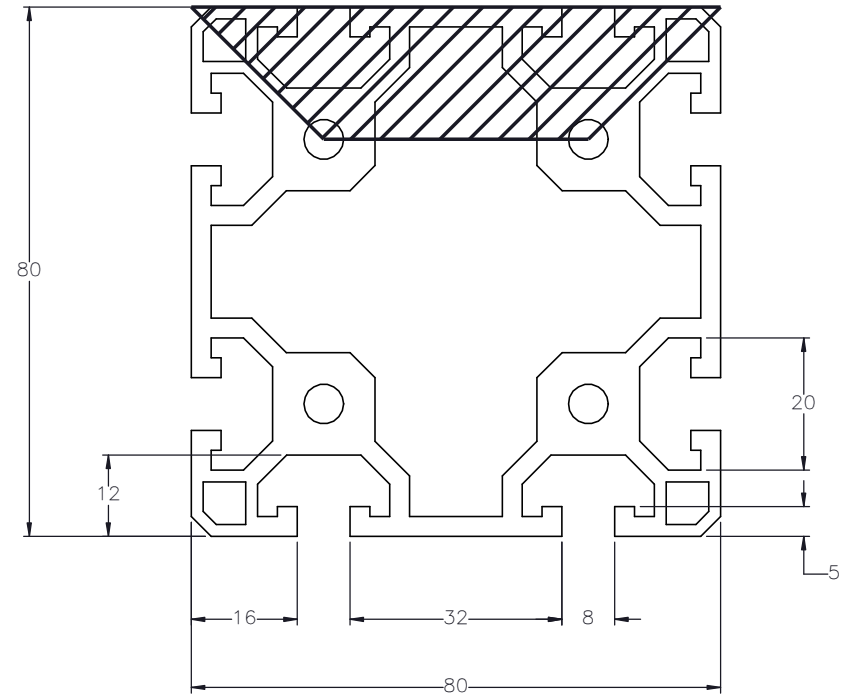
SPECIFICATIONS ARE SUBJECT TO CHANGE WITHOUT NOTICE

THIS DRAWING IS THE PROPERTY OF MACRON DYNAMICS. ANY REPRODUCTIONS SHALL BE FOR QUOTATION, MANUFACTURING OR PURCHASING PURPOSES ONLY. RELEASE OF DRAWINGS TO OTHER CONCERNS DOES NOT CONSTITUTE LICENSING IN ANY WAY. INFORMATION CONTAINED HEREIN IS PROPRIETARY AND CONFIDENTIAL.

SHAFTED PULLEY



ACTUATOR BODY MOUNTING FEATURES T-NUT SLOTS



MACRON DYNAMICS INC

DRAWN BY: PHW	DATE: 11/26/2017	MATERIAL:
CHECKED BY: --	DATE: DD/MM/YYYY	
LAST SAVED BY: jattia	DATE: 3/23/2020	
UNLESS OTHERWISE SPECIFIED, DIMENSIONS ARE IN INCHES. TOLERANCES UNLESS NOTED OTHERWISE:		FINISH:
.X ± .03	.XX ± .010	N/A
.XXX ± .005	ANG ± 0°30'	

TITLE: MACRON RTU SYSTEM	
SCALE: 1:1	SHEET SIZE: C

THIS DRAWING IS THE PROPERTY OF MACRON DYNAMICS. ANY REPRODUCTIONS SHALL BE FOR QUOTATION, MANUFACTURING OR PURCHASING PURPOSES ONLY. RELEASE OF DRAWINGS TO OTHER CONCERNS DOES NOT CONSTITUTE LICENSING IN ANY WAY. INFORMATION CONTAINED HEREIN IS PROPRIETARY AND CONFIDENTIAL.

SURFACE FINISH: BREAK ALL SHARP EDGES
DIMENSIONAL LIMITS APPLY AFTER FINISHING
THIRD ANGLE PROJECTION

SHEET: 3 OF 4	PART NUMBER: MRA-RTU-0	REV: 00
---------------	------------------------	---------

SPECIFICATIONS ARE SUBJECT TO CHANGE WITHOUT NOTICE

SPECIFICATIONS

Sensor Type	Inductive
Sensor Size	Fits all 8mm wide T-Slots
Operating Voltage	10-30 VDC
Voltage Drop Across Conducting Sensor	≤1.8 V at 100 mA
Number of Conductors (AWG)	3x26 AWG
Temperature Range	-40°C to 105°C

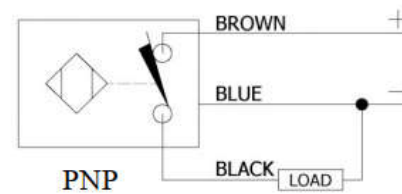
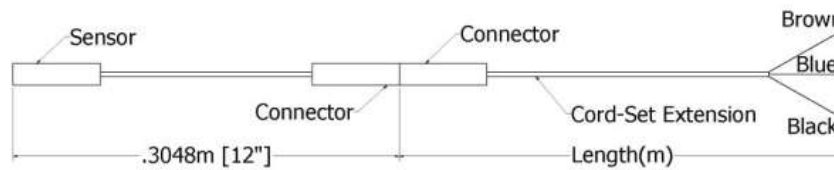
Part Number Configuration

244- - - - -

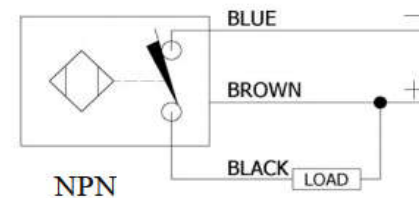
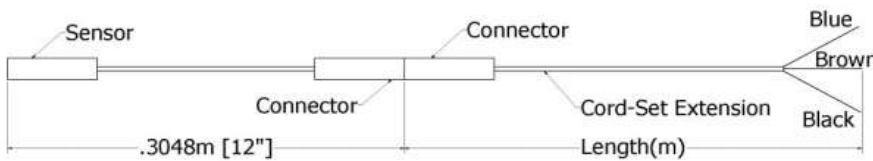
PNP or NPN	NC or NO	02	Meters
PNP or NPN	NC or NO	06	Meters
PNP or NPN	NC or NO	12	Meters

Example: PNP, normally closed, cord-set extension length 6 meters = 244-PNP-NC-06

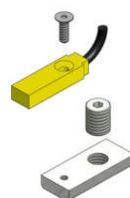
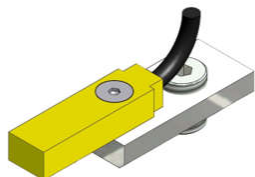
PNP Diagrams




NPN Diagrams



KIT INCLUDES – SENSOR, CORDSET EXTENSION, AND MOUNTING HARDWARE



 MACRON DYNAMICS INC	DRAWN BY: JA DATE: 2/27/2020 CHECKED BY: -- DATE: DD/MM/YYYY LAST SAVED BY: JA DATE: 3/30/2020	MATERIAL:	TITLE:
	UNLESS OTHERWISE SPECIFIED, DIMENSIONS ARE IN MILLIMETERS. TOLERANCES UNLESS NOTED OTHERWISE: SURFACE FINISH: <input checked="" type="checkbox"/> BREAK ALL SHARP EDGES DIMENSIONAL LIMITS APPLY AFTER FINISHING THIRD ANGLE PROJECTION	FINISH:	T-SLOT SENSOR KIT
THIS DRAWING IS THE PROPERTY OF MACRON DYNAMICS. ANY REPRODUCTIONS SHALL BE FOR QUOTATION, MANUFACTURING OR PURCHASING PURPOSES ONLY. RELEASE OF DRAWINGS TO OTHER CONCERNS DOES NOT CONSTITUTE LICENSING IN ANY WAY. INFORMATION CONTAINED HEREIN IS PROPRIETARY AND CONFIDENTIAL.	SHEET: 5 OF 5	PART NUMBER: SENSOR CALL-OUT	REV: C