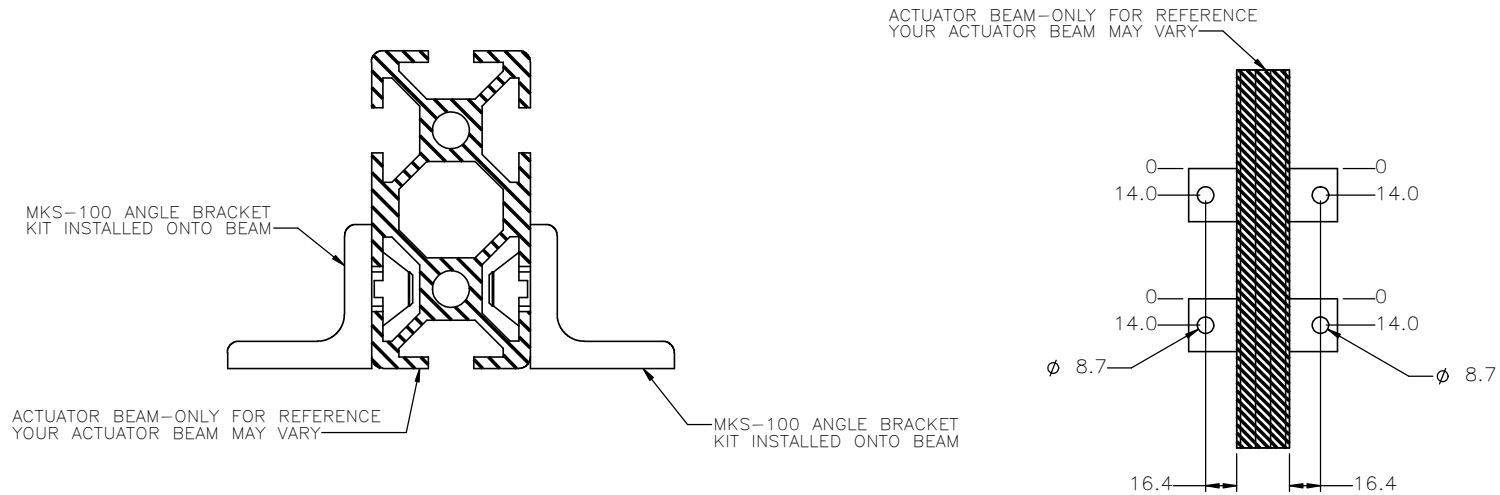
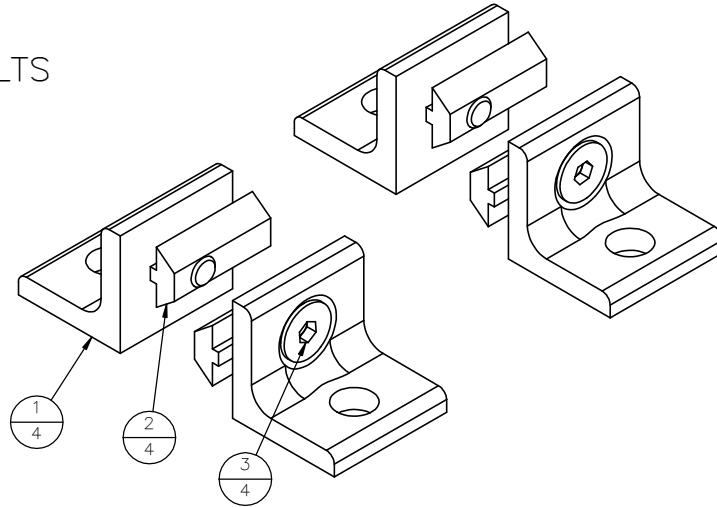


# MKS-100

REVISION HISTORY			
REV.	DESCRIPTION	DATE	REVISED BY:

## KIT INCLUDES:

- 4 M6 T-NUTS
- 4 M6 FLAT-HEAD BOLTS
- 4 ANGLE BRACKETS




1 KIT RECOMMENDED FOR EVERY METER OF TRAVEL

FOR USE WITH THE FOLLOWING MACRON ACTUATOR SYSTEMS:

- > MSA-628
- > MSA-R5D
- > MSA-R15
- > MSA-BT1
- > MSA-SB1

ITEM	QTY.	PART NUMBER	REV	DESCRIPTION
1	4	M22143	03	28X56 ANGLE BRACKET
2	4	M20046		M6 T-NUT SLOT, 28
3	4	544-12-ZP		M6 x 12 FHCS-ZP

 <b>MACRON DYNAMICS INC</b>	DRAWN BY: JA      DATE: 12/10/2018 CHECKED BY: --      DATE: DD/MM/YYYY LAST SAVED BY: JA      DATE: 10/18/2019	MATERIAL:	TITLE: ACTUATOR MOUNTING KIT LIGHT DUTY
	UNLESS OTHERWISE SPECIFIED, DIMENSIONS ARE IN MILLIMETERS. TOLERANCES UNLESS NOTED OTHERWISE: .X ± .762 .XX ± .254 .XXX ± .127 ANG ± 0°30'	FINISH:	
	SURFACE FINISH	SCALE: 1:1      SHEET SIZE: C	
	THIS DRAWING IS THE PROPERTY OF MACRON DYNAMICS. ANY REPRODUCTIONS SHALL BE FOR QUOTATION, MANUFACTURING, OR PURCHASING PURPOSES ONLY. RELEASE OF DRAWINGS TO OTHER CONCERNS DOES NOT CONSTITUTE LICENSING IN ANY WAY. INFORMATION CONTAINED HEREIN IS PROPRIETARY AND CONFIDENTIAL.	BREAK ALL SHARP EDGES DIMENSIONAL LIMITS APPLY AFTER FINISHING THIRD ANGLE PROJECTION	