

# MSA-628-B-AB- - -

PULLEY PITCH DIAMETER	33.42mm (1.316")
PULLEY WIDTH	16.3mm (.642")
PULLEY MATERIAL	STEEL
BELT WEIGHT (kg)	((TRAVEL IN METERS x 2)+.50) x .04
TRAVEL PER REV.	105mm
TRAVEL MIN.	150mm
TRAVEL MAX.	5850mm
CART WEIGHT (kg)	0.54kg
SYSTEM WEIGHT (kg)	(TRAVEL IN METERS x 2.0) + 1.6

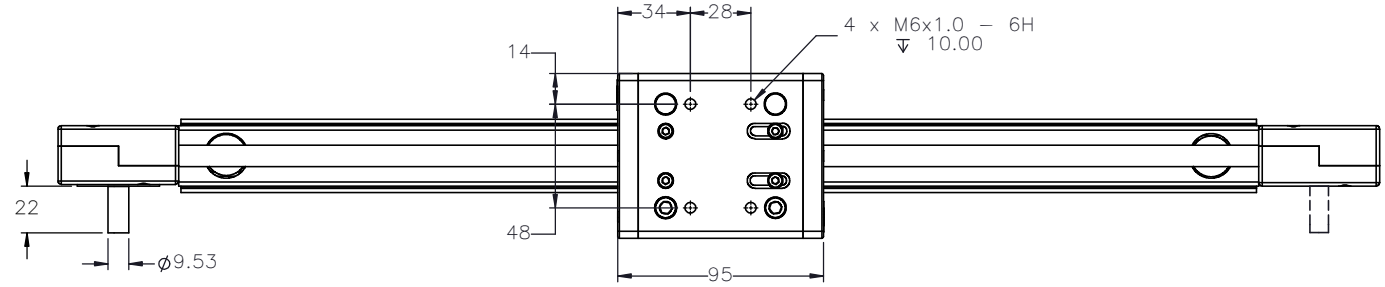
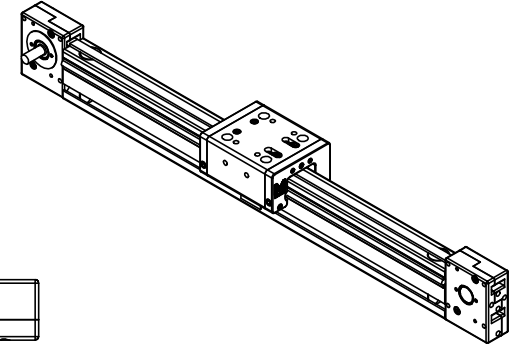
ENTER  
TRAVEL IN INCREMENTS OF 25mm

SELECT  
DRIVE SHAFT LOCATION\*

SHAFTING TYPE  
A0= SINGLE SHAFTED  
B0= DOUBLE SHAFTED

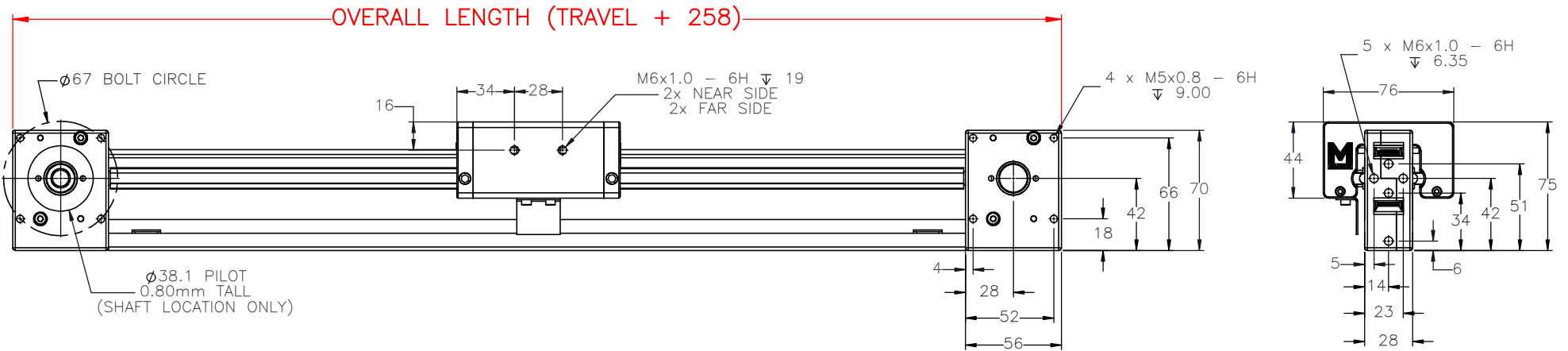
NOTE: (IF "B" IS USED THE NUMBER WILL DESIGNATE POSITION OF THE BOSS ON THE PULLEY)

AM= SINGLE SHAFTED W/ MOTOR MOUNT  
BM= DOUBLE SHAFTED W/ MOTOR MOUNT



□ 1\*

□ 3\*



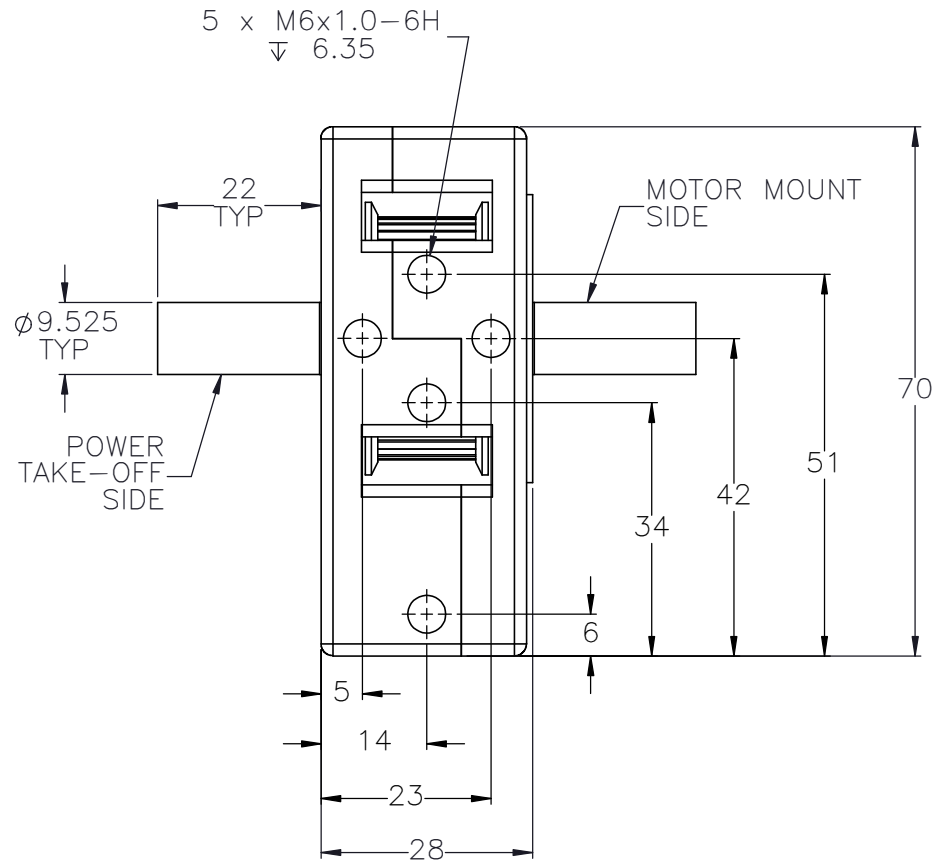
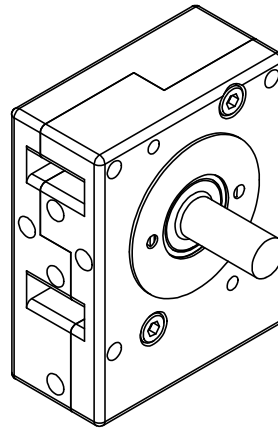
APPROVED: \_\_\_\_\_

DATE: \_\_\_\_\_

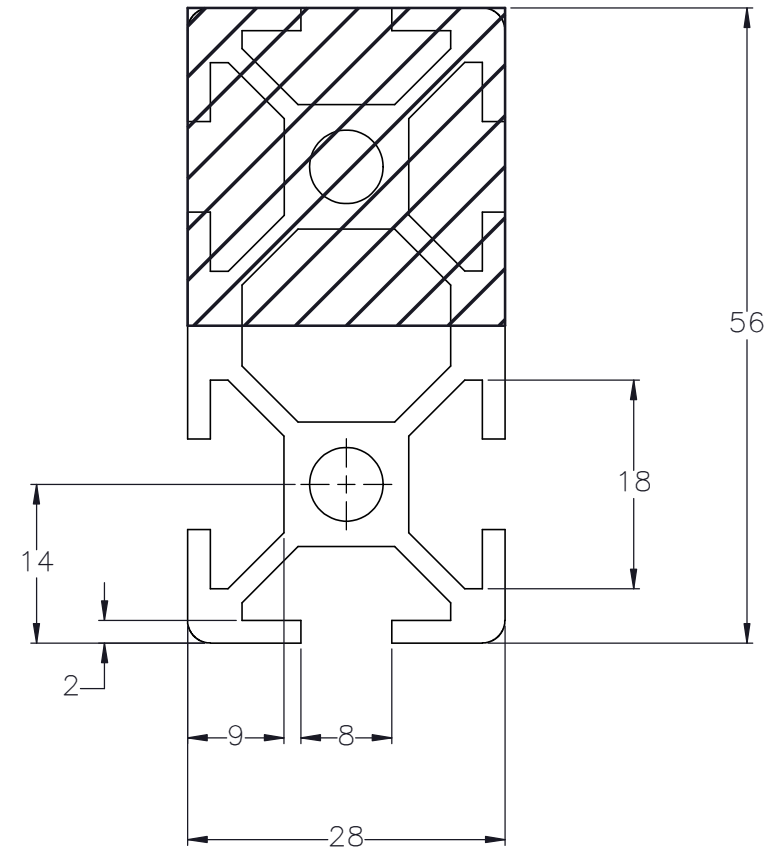
 <b>MACRON DYNAMICS INC</b>	DRAWN BY: PHW    DATE: 11/26/2017	MATERIAL:	TITLE:
	CHECKED BY: --    DATE: DD/MM/YYYY		MACRON MINI 6 ACTUATOR
	LAST SAVED BY: Tim    DATE: 8/3/2020		FINISH:
	UNLESS OTHERWISE SPECIFIED: DIMENSIONS ARE IN MILLIMETER TOLERANCES UNLESS NOTED OTHERWISE: .X ± .762 .XX ± .254 .XXX ± .127 ANG ± 0°30'		SCALE: 1:1    SHEET SIZE: C
THIS DRAWING IS THE PROPERTY OF MACRON DYNAMICS. ANY REPRODUCTIONS SHALL BE FOR QUOTATION, MANUFACTURING OR PURCHASING PURPOSES ONLY. RELEASE OF DRAWINGS TO OTHER CONCERNS DOES NOT CONSTITUTE LICENSING IN ANY WAY. INFORMATION CONTAINED HEREIN IS PROPRIETARY AND CONFIDENTIAL.	SURFACE FINISH <input checked="" type="checkbox"/> BREAK ALL SHARP EDGES DIMENSIONAL LIMITS APPLY AFTER FINISHING <b>THIRD ANGLE PROJECTION</b>	SHEET: 1 OF 2    PART NUMBER: MSA-628	REV: C

SPECIFICATIONS ARE SUBJECT TO CHANGE WITHOUT NOTICE

# DOUBLE SHAFTED PULLEY



# CUSTOMER ACCESSIBLE MOUNTING FEATURES, T-NUT SLOTS



MACRON DYNAMICS INC

DRAWN BY: PHW	DATE: 11/26/2017	MATERIAL:
CHECKED BY: --	DATE: DD/MM/YYYY	
LAST SAVED BY: Tim	DATE: 8/3/2020	
UNLESS OTHERWISE SPECIFIED: DIMENSIONS ARE IN MILLIMETER TOLERANCES UNLESS NOTED OTHERWISE: .X ± .762 .XX ± .254 .XXX ± .127 ANG ± 0°30'		FINISH:

TITLE:  
MACRON MINI 6  
ACTUATOR

THIS DRAWING IS THE PROPERTY OF MACRON DYNAMICS  
ANY REPRODUCTIONS SHALL BE FOR QUOTATION,  
MANUFACTURING OR PURCHASING PURPOSES ONLY.  
RELEASE OF DRAWINGS TO OTHER CONCERNS DOES NOT  
CONSTITUTE LICENSING IN ANY WAY. INFORMATION  
CONTAINED HEREIN IS PROPRIETARY AND CONFIDENTIAL

SURFACE FINISH ✓  
BREAK ALL SHARP EDGES  
DIMENSIONAL LIMITS APPLY AFTER FINISHING  
THIRD ANGLE PROJECTION

SHEET 2 OF 2

PART NUMBER MSA-628  
SCALE 1:1 SHEET SIZE C

SPECIFICATIONS ARE SUBJECT TO CHANGE WITHOUT NOTICE