

# MSA-135-0-BC---

PULLEY PITCH DIAMETER	47.75mm (1.880")
PULLEY WIDTH	28.9mm (1.138")
PULLEY MATERIAL	STEEL
BELT WEIGHT (kg)	$((\text{TRAVEL IN METERS} \times 2) + .81) \times .12$
TRAVEL PER REV.	150mm
TRAVEL MIN.	150mm
TRAVEL MAX.	5600mm
CART WEIGHT (kg)	0.77kg
SYSTEM WEIGHT (kg)	$(\text{TRAVEL IN METERS} \times 4.8) + 4.5$

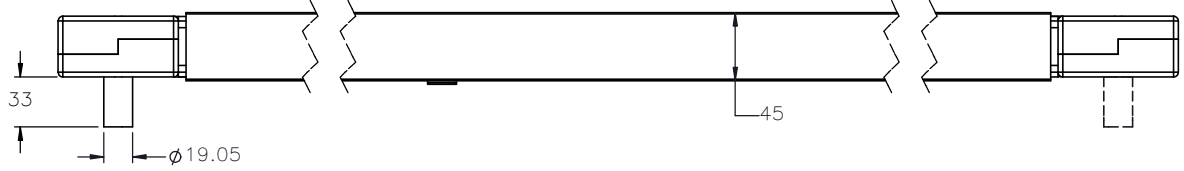
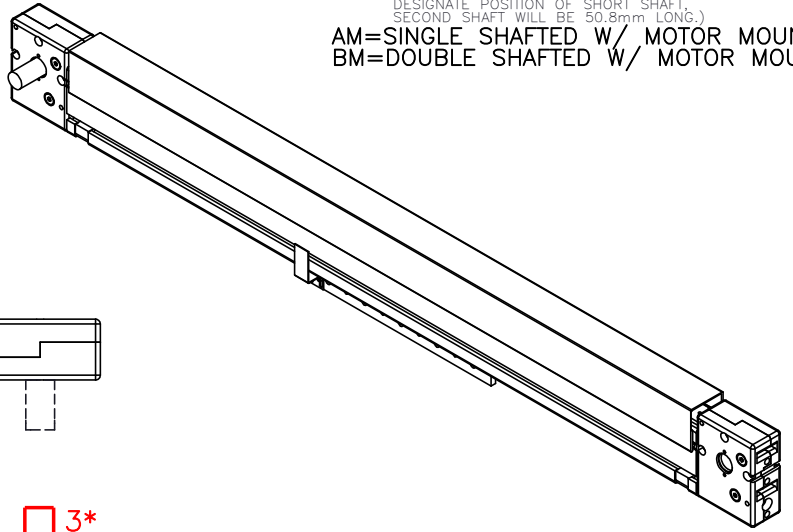
**ENTER**  
TRAVEL IN INCREMENTS OF 25mm

**SELECT**  
DRIVE SHAFT LOCATION\*

**SHAFTING TYPE**  
A0= SINGLE SHAFTED  
B0= DOUBLE SHAFTED

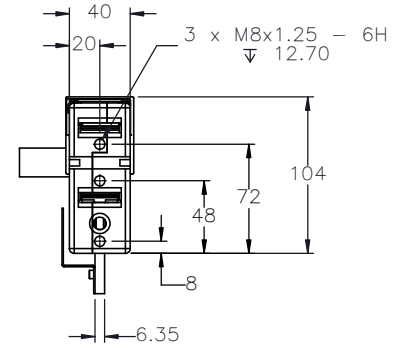
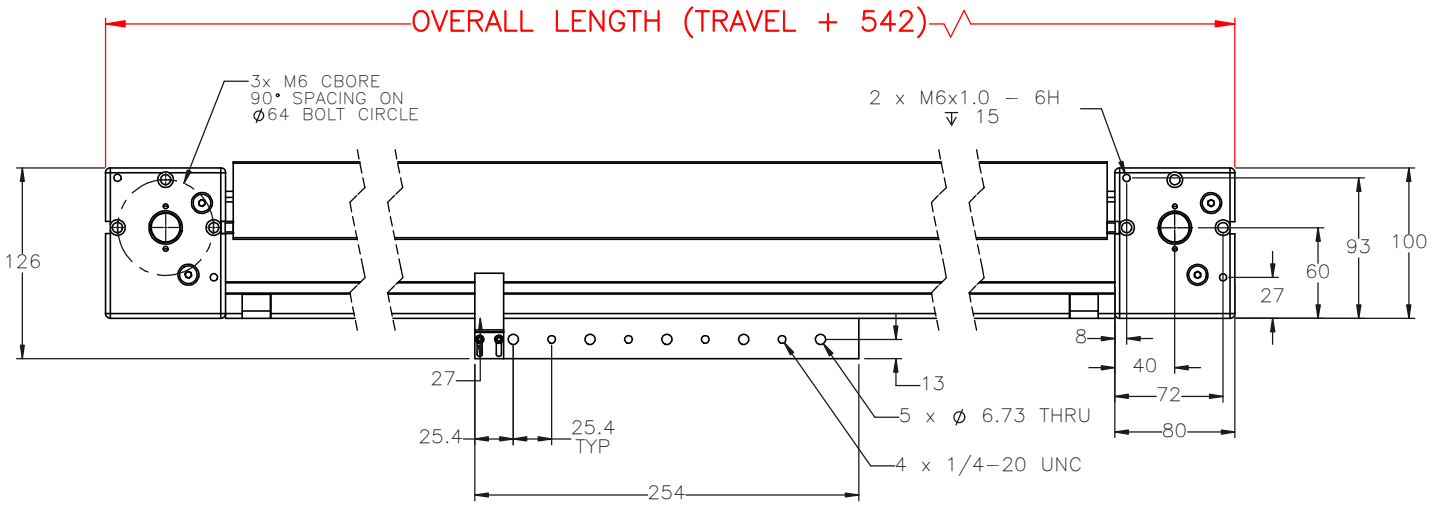
NOTE: (IF "B" IS USED THE NUMBER WILL DESIGNATE POSITION OF SHORT SHAFT. SECOND SHAFT WILL BE 50.8mm LONG.)

AM= SINGLE SHAFTED W/ MOTOR MOUNT  
BM= DOUBLE SHAFTED W/ MOTOR MOUNT



   1\*

   3\*



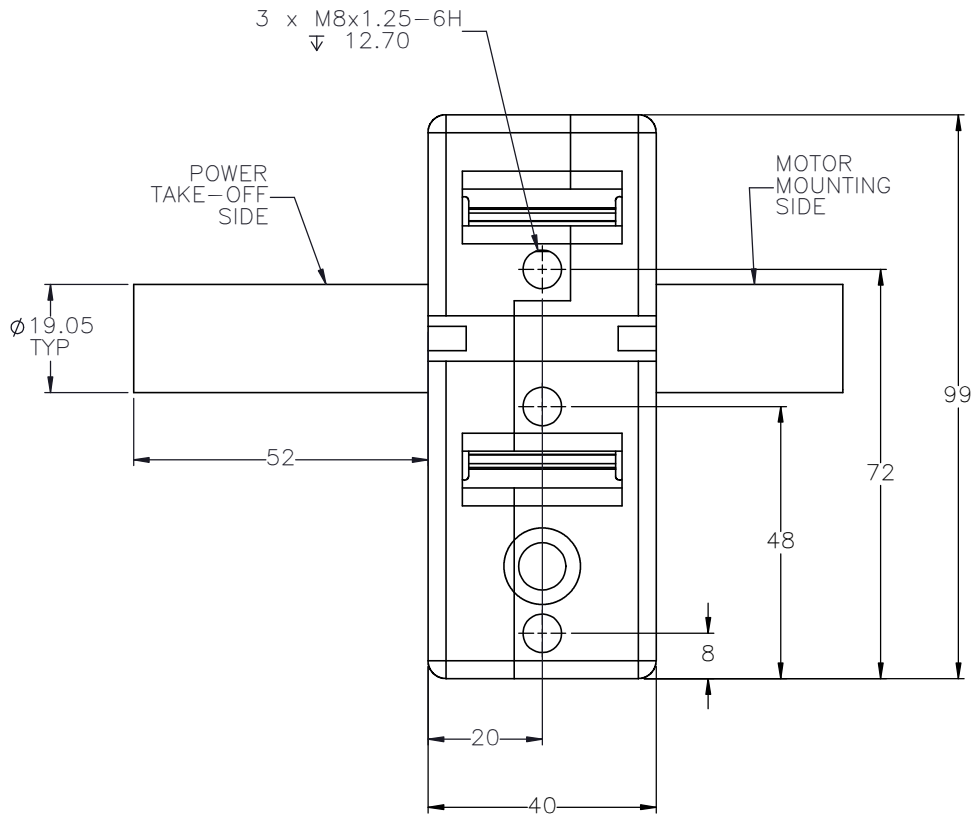
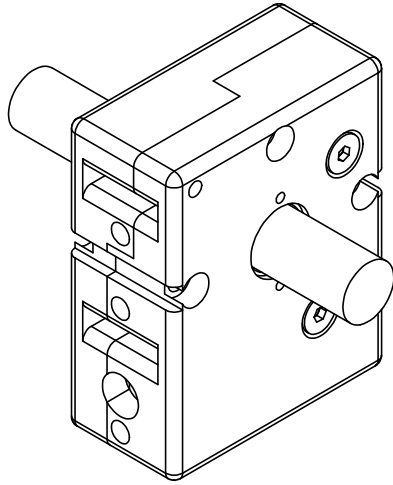
APPROVED: \_\_\_\_\_

DATE: \_\_\_\_\_

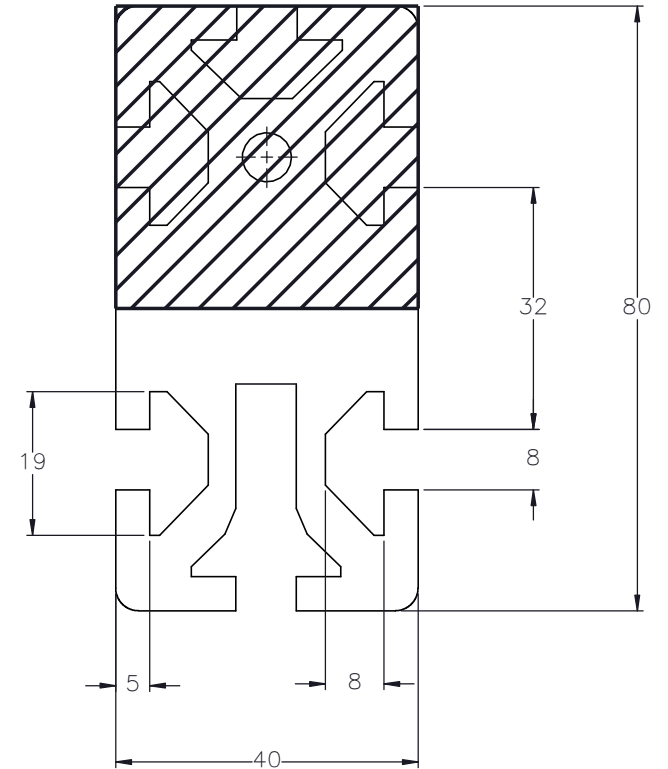
	DRAWN BY: PHW    DATE: 11/26/2017 CHECKED BY: --    DATE: DD/MM/YYYY LAST SAVED BY: Tim    DATE: 8/3/2020	MATERIAL:	TITLE: MACRON 135 ACTUATOR	
	UNLESS OTHERWISE SPECIFIED: DIMENSIONS ARE IN MILLIMETER TOLERANCES UNLESS NOTED: .XX ± .254 .XXX ± .127 OTHERWISE: ANG ± 0°30'	FINISH:	SCALE: 1:1    SHEET SIZE: C	
	SURFACE FINISH: <input checked="" type="checkbox"/> THIRD ANGLE PROJECTION BREAK ALL SHARP EDGES DIMENSIONAL LIMITS APPLY AFTER FINISHING	SHEET: 1 OF 2    PART NUMBER: MSA-135	REV: C	
	<small>THIS DRAWING IS THE PROPERTY OF MACRON DYNAMICS. ANY REPRODUCTIONS SHALL BE FOR QUOTATION, MANUFACTURING OR PURCHASING PURPOSES ONLY. RELEASE OF DRAWINGS TO OTHER CONCERNS DOES NOT CONSTITUTE LICENSING IN ANY WAY. INFORMATION CONTAINED HEREIN IS PROPRIETARY AND CONFIDENTIAL.</small>			


SPECIFICATIONS ARE SUBJECT TO CHANGE WITHOUT NOTICE

# DOUBLE SHAFTED PULLEY



# CUSTOMER ACCESSIBLE MOUNTING FEATURES, T-NUT SLOTS



 <b>MACRON DYNAMICS INC</b>	DRAWN BY: PHW      DATE: 11/26/2017	MATERIAL:	TITLE: <b>MACRON 135 ACTUATOR</b>	
	CHECKED BY: --      DATE: DD/MM/YYYY	FINISH:		
	LAST SAVED BY: Tim      DATE: 8/3/2020	UNLESS OTHERWISE SPECIFIED: DIMENSIONS ARE IN MILLIMETER TOLERANCES UNLESS NOTED OTHERWISE:	.X ± .762 .XX ± .254 .XXX ± .127 ANG ± 0°30'	SCALE: 1:1      SHEET SIZE: C
	SURFACE FINISH: <input checked="" type="checkbox"/>	BREAK ALL SHARP EDGES DIMENSIONAL LIMITS APPLY AFTER FINISHING <b>THIRD ANGLE PROJECTION</b>	SHEET: 2 OF 2      PART NUMBER: MSA-135	REV:

SPECIFICATIONS ARE SUBJECT TO CHANGE WITHOUT NOTICE