

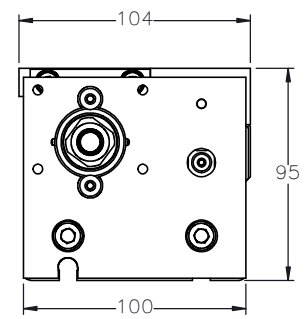
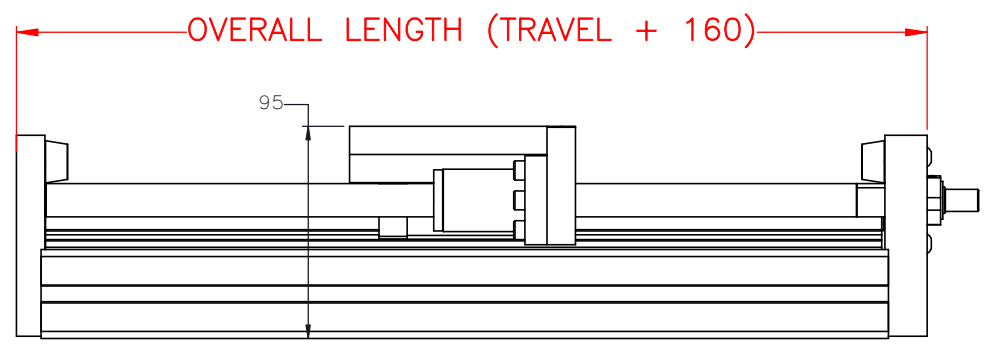
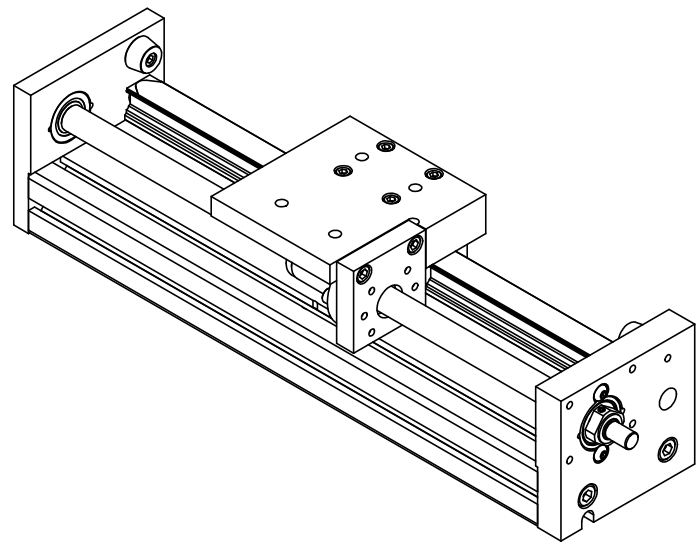
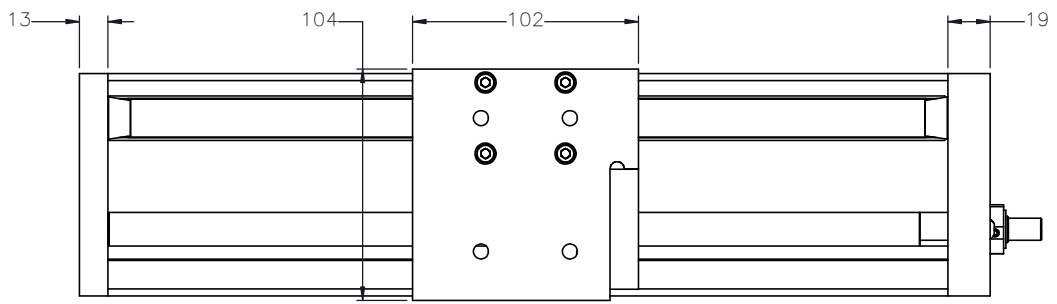
MSA-SRT-N- - -

TRAVEL MIN.	150mm
TRAVEL MAX.	650mm
SCREW DIAMETER	15mm
SCREW NUT DIAMETER	28mm
SCREW NUT LENGTH	58mm
CART WEIGHT	0.91kg
SYSTEM WEIGHT (kg)	(TRAVEL IN METERS x 7.4) + 2.9

ENTER
TRAVEL IN INCREMENTS OF 25mm


SELECT MOUNTING OPTION
A01 = NO MOTOR MOUNTING KIT
AM1 = MOTOR MOUNT KIT REQUESTED

SPECIFY BALL SCREW LEAD TYPE
05 = 5mm PITCH
10 = 10mm PITCH
20 = 20mm PITCH



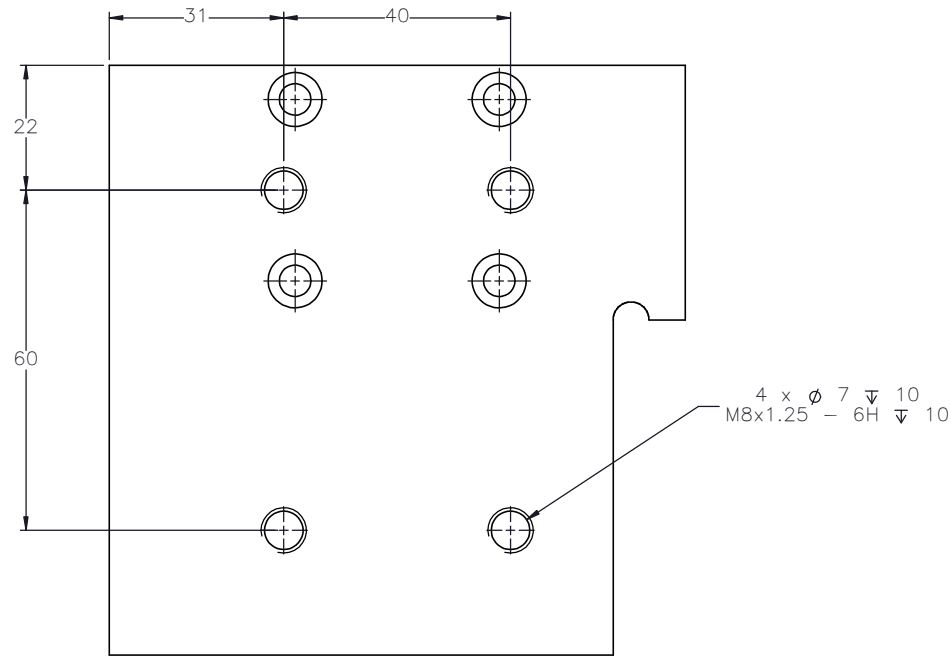
APPROVED: _____
DATE: _____
PO:REFERENCE#: _____

SIGN & PRINT

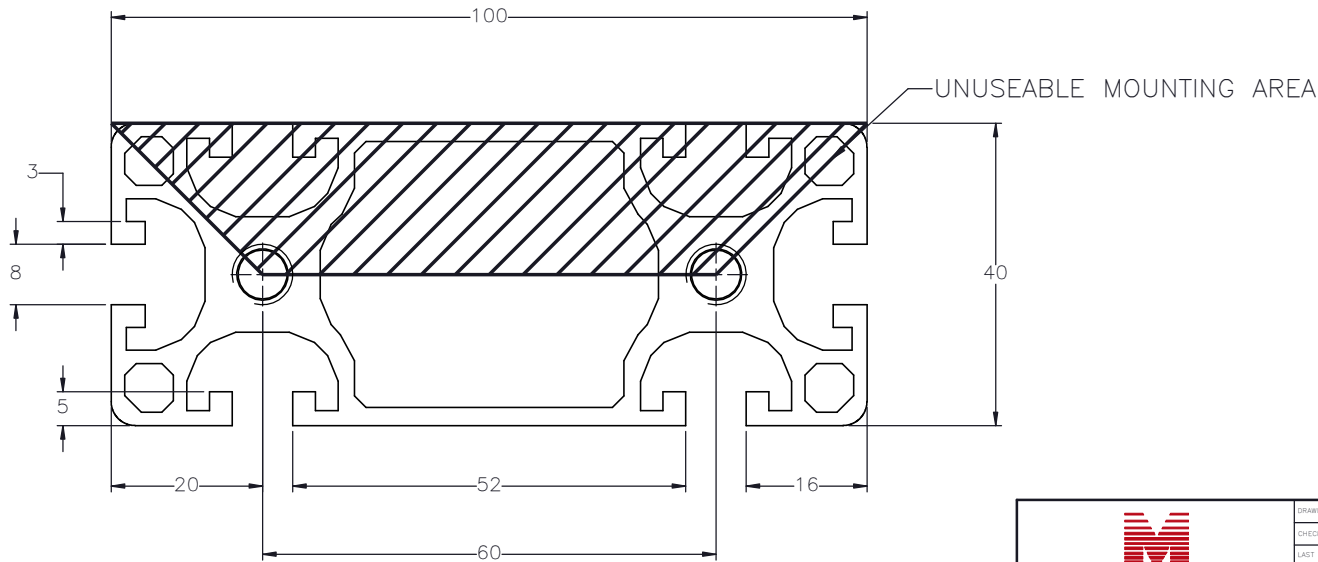
 MACRON DYNAMICS INC	DRAWN BY: JB DATE: 3/6/2012 MATERIAL:	TITLE: MACRON SINGLE RAIL SCREW TABLE
	CHECKED BY: -- DATE: DD/MM/YYYY	
	LAST SAVED BY: Tim DATE: 8/12/2020	
UNLESS OTHERWISE SPECIFIED, DIMENSIONS ARE IN INCHES. TOLERANCES UNLESS NOTED OTHERWISE:		FINISH:
.X ± .03 .XX ± .010 .XXX ± .005 ANG ± 0°30'		SCALE: 1:1 SHEET SIZE: C
SURFACE FINISH ✓ BREAK ALL SHARP EDGES DIMENSIONAL LIMITS APPLY AFTER FINISHING THIRD ANGLE PROJECTION		SHEET: 1 OF 7 PART NUMBER: MSA-SRT
<small>THIS DRAWING IS THE PROPERTY OF MACRON DYNAMICS. ANY REPRODUCTIONS SHALL BE FOR QUOTATION, MANUFACTURING OR PURCHASING PURPOSES ONLY. RELEASE OF DRAWINGS TO OTHER CONCERNS DOES NOT CONSTITUTE LICENSING IN ANY WAY. INFORMATION CONTAINED HEREIN IS PROPRIETARY AND CONFIDENTIAL.</small>		


SPECIFICATIONS ARE SUBJECT TO CHANGE WITHOUT NOTICE

CART TOP MOUNTING FEATURES



SCREW TABLE BASE MOUNTING FEATURES



 MACRON DYNAMICS INC	DRAWN BY: JB DATE: 3/6/2012	MATERIAL:	TITLE: MACRON SINGLE RAIL SCREW TABLE	
	CHECKED BY: -- DATE: DD/MM/YYYY	FINISH:		
	LAST SAVED BY: Tim DATE: 8/12/2020	UNLESS OTHERWISE SPECIFIED: DIMENSIONS ARE IN INCHES: TOLERANCES UNLESS NOTED: OTHERWISE:	.X \pm .03 .XX \pm .010 .XXX \pm .005 ANG \pm 0°30'	SCALE: 1:1 SHEET SIZE: C
	SURFACE FINISH: <input checked="" type="checkbox"/>	BREAK ALL SHARP EDGES DIMENSIONAL LIMITS APPLY AFTER FINISHING THIRD ANGLE PROJECTION	SHEET: 2 OF 7 PART NUMBER: MSA-SRT	REV:

SPECIFICATIONS ARE SUBJECT TO CHANGE WITHOUT NOTICE

THIS DRAWING IS THE PROPERTY OF MACRON DYNAMICS. ANY REPRODUCTIONS SHALL BE FOR QUOTATION, MANUFACTURING OR PURCHASING PURPOSES ONLY. RELEASE OF DRAWINGS TO OTHER CONCERNS DOES NOT CONSTITUTE LICENSING IN ANY WAY. INFORMATION CONTAINED HEREIN IS PROPRIETARY AND CONFIDENTIAL.