

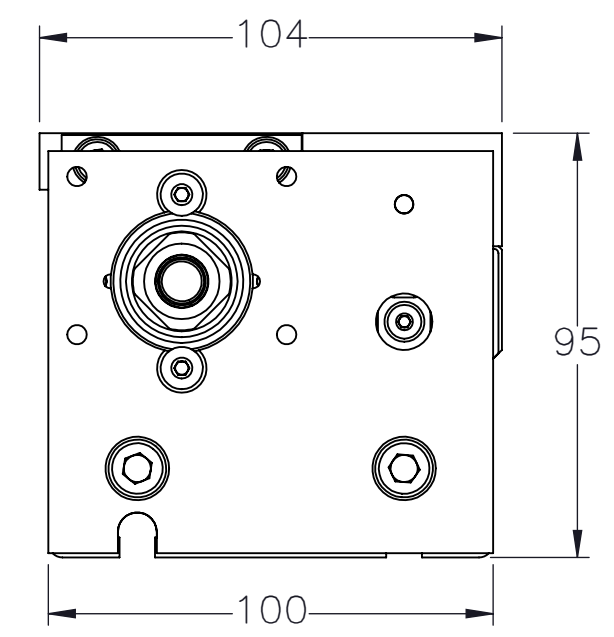
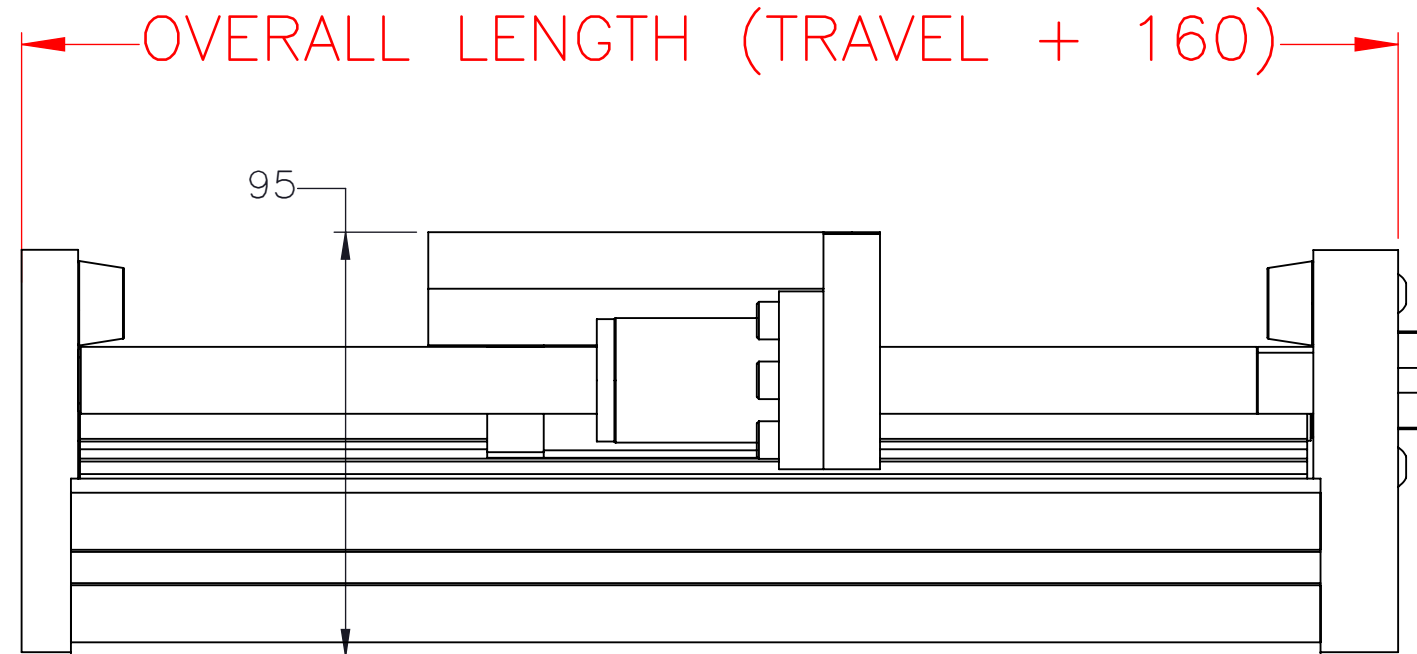
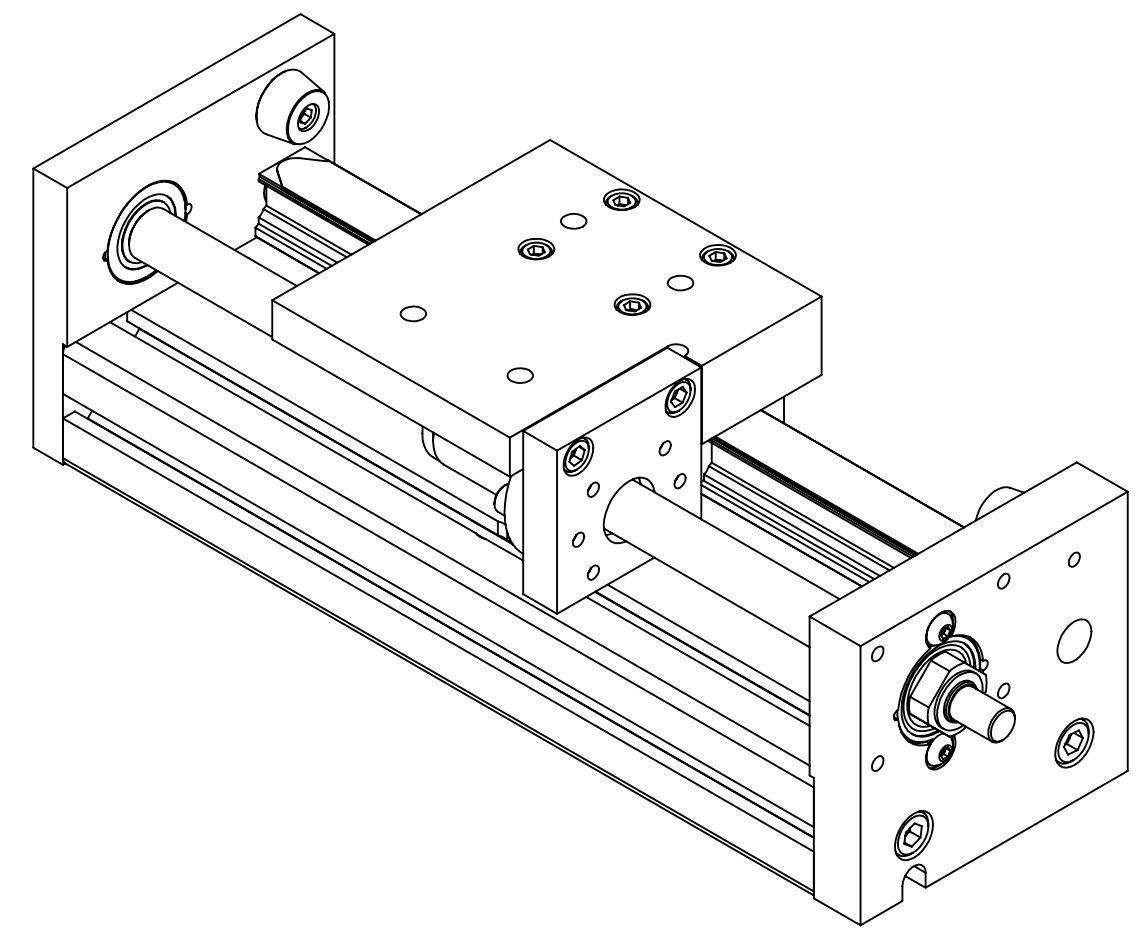
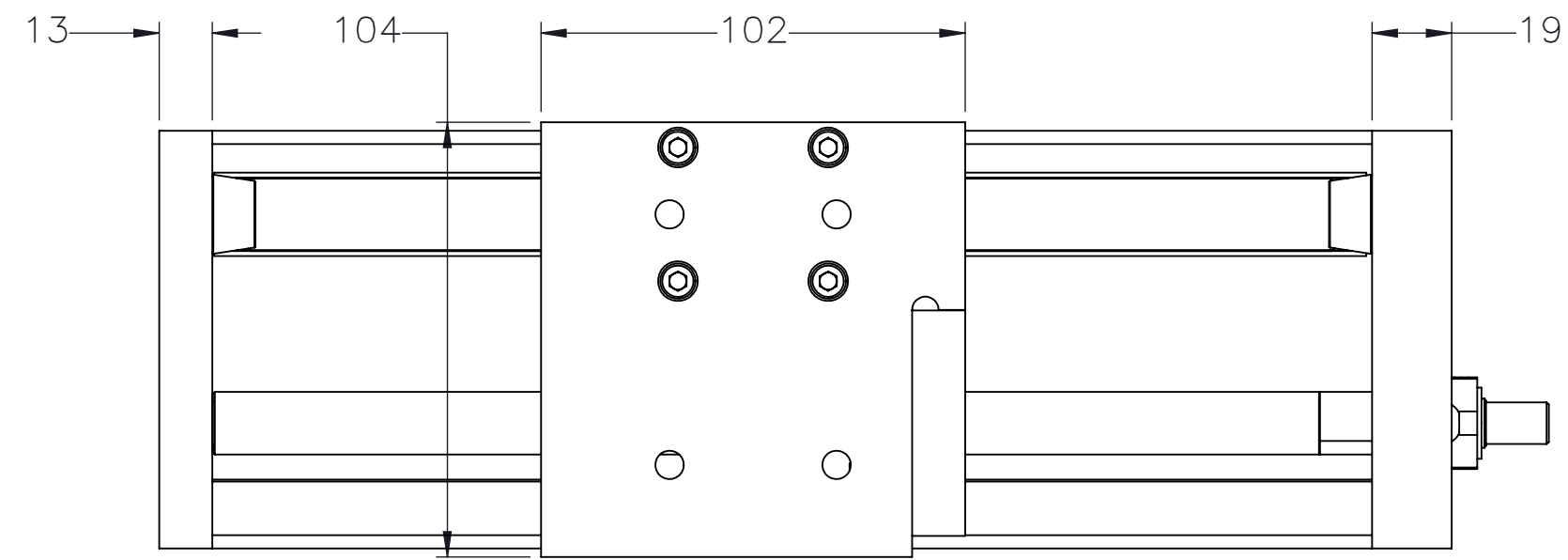
MSA-SRT-N-   -  -

TRAVEL MIN.	150mm
TRAVEL MAX.	650mm

*ENTER*  
TRAVEL IN INCREMENTS OF 25mm

*SELECT MOUNTING OPTION*  
A01 = NO MOTOR MOUNTING KIT  
AM1 = MOTOR MOUNT KIT REQUESTED

*SPECIFY BALL SCREW LEAD TYPE*  
05 = 5mm PITCH  
10 = 10mm PITCH  
20 = 20mm PITCH



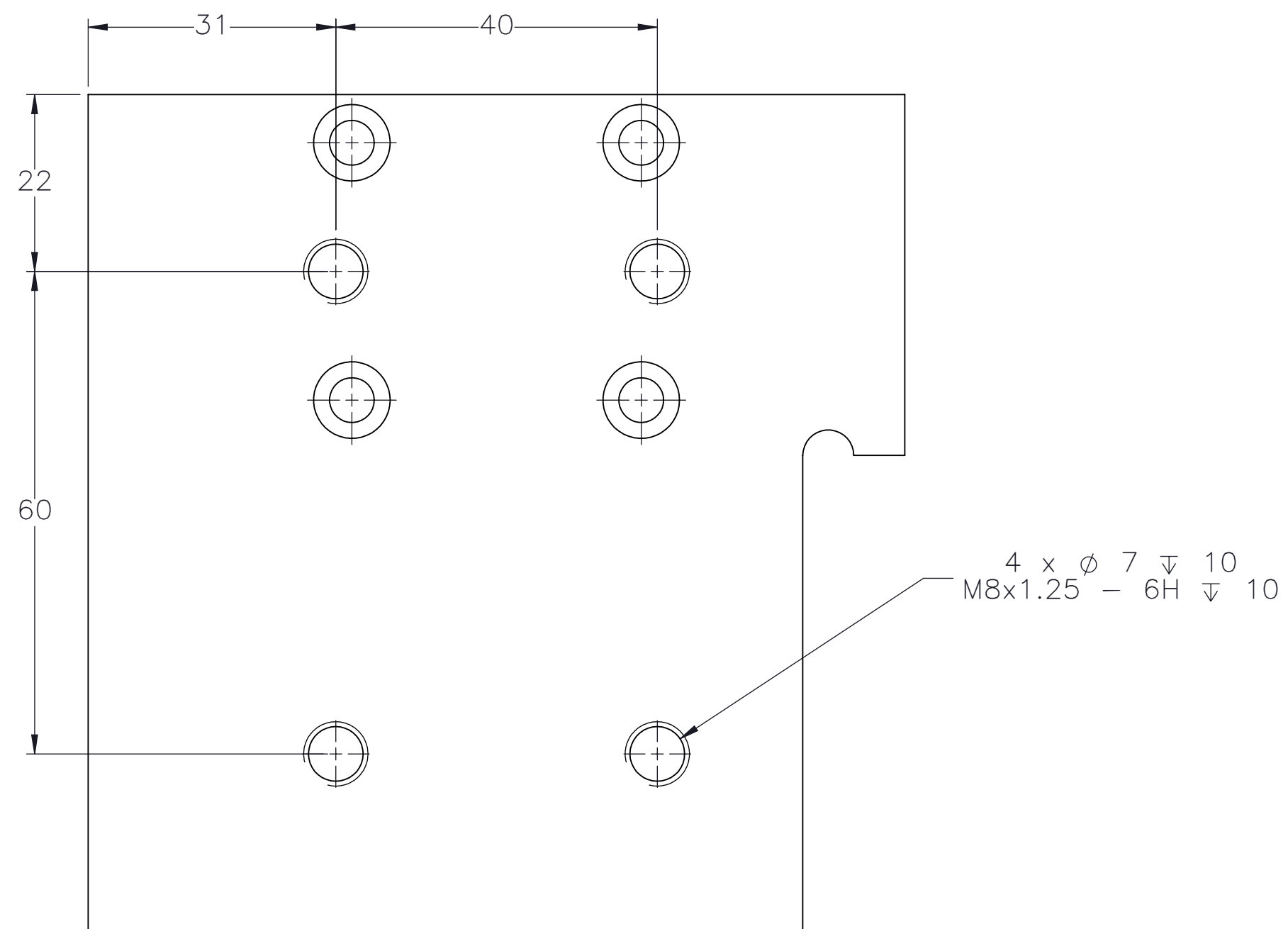
APPROVED: \_\_\_\_\_  
 DATE: \_\_\_\_\_  
 PO:REFERENCE#: \_\_\_\_\_

SIGN & PRINT

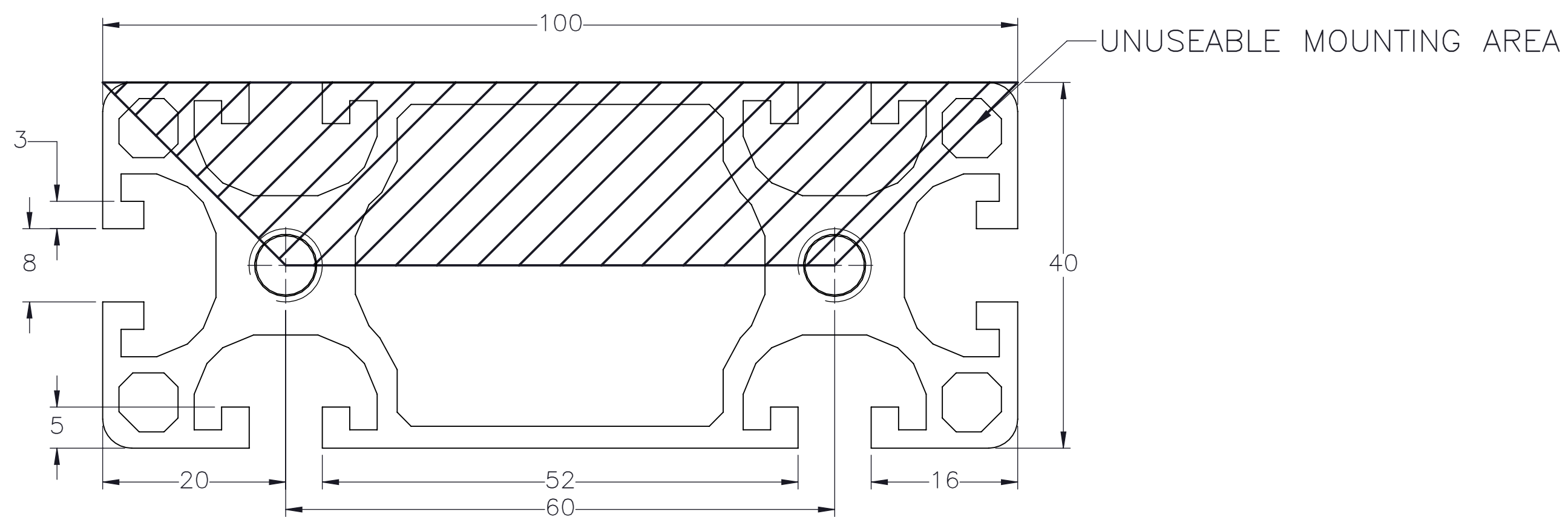
 MACRON DYNAMICS INC	DRAWN BY: JB      DATE: 3/6/2012	MATERIAL:	TITLE: MACRON SINGLE RAIL SCREW TABLE
	CHECKED BY: --      DATE: DD/MM/YYYY	FINISH:	
	LAST SAVED BY: tbeck      DATE: 3/8/2019	UNLESS OTHERWISE SPECIFIED, DIMENSIONS ARE IN INCHES. TOLERANCES UNLESS NOTED OTHERWISE: .X ± .03 .XX ± .010 .XXX ± .005 ANG ± 0°30'	
THIS DRAWING IS THE PROPERTY OF MACRON DYNAMICS. ANY REPRODUCTIONS SHALL BE FOR QUOTATION, MANUFACTURING, OR PURCHASING PURPOSES ONLY. RELEASE OF DRAWINGS TO OTHER CONCERNS DOES NOT CONSTITUTE LICENSING IN ANY WAY. INFORMATION CONTAINED HEREIN IS PROPRIETARY AND CONFIDENTIAL.	SURFACE FINISH $\checkmark$ BREAK ALL SHARP EDGES DIMENSIONAL LIMITS APPLY AFTER FINISHING THIRD ANGLE PROJECTION	SCALE 1:1    SHEET SIZE C	SHEET 1 OF 7    PART NUMBER MSA-SRT    REV


SPECIFICATIONS ARE SUBJECT TO CHANGE WITHOUT NOTICE

# CART TOP MOUNTING FEATURES



# SCREW TABLE BASE MOUNTING FEATURES



 <b>MACRON DYNAMICS INC</b>	DRAWN BY: JB CHECKED BY: -- LAST SAVED BY: tbeck	DATE: 3/6/2012 DATE: DD/MM/YYYY DATE: 3/8/2019	MATERIAL:	TITLE: MACRON SINGLE RAIL SCREW TABLE	
	UNLESS OTHERWISE SPECIFIED, DIMENSIONS ARE IN INCHES. TOLERANCES UNLESS NOTED OTHERWISE:		FINISH:	SCALE 1:1   SHEET SIZE C	
	SURFACE FINISH $\checkmark$		BREAK ALL SHARP EDGES DIMENSIONAL LIMITS APPLY AFTER FINISHING	SHEET 2 OF 7   PART NUMBER MSA-SRT	REV
	THIS DRAWING IS THE PROPERTY OF MACRON DYNAMICS. ANY REPRODUCTIONS SHALL BE FOR QUOTATION, MANUFACTURING, OR PURCHASING PURPOSES ONLY. RELEASE OF DRAWINGS TO OTHER CONCERNS DOES NOT CONSTITUTE LICENSING IN ANY WAY. INFORMATION CONTAINED HEREIN IS PROPRIETARY AND CONFIDENTIAL.		SPECIFICATIONS ARE SUBJECT TO CHANGE WITHOUT NOTICE		