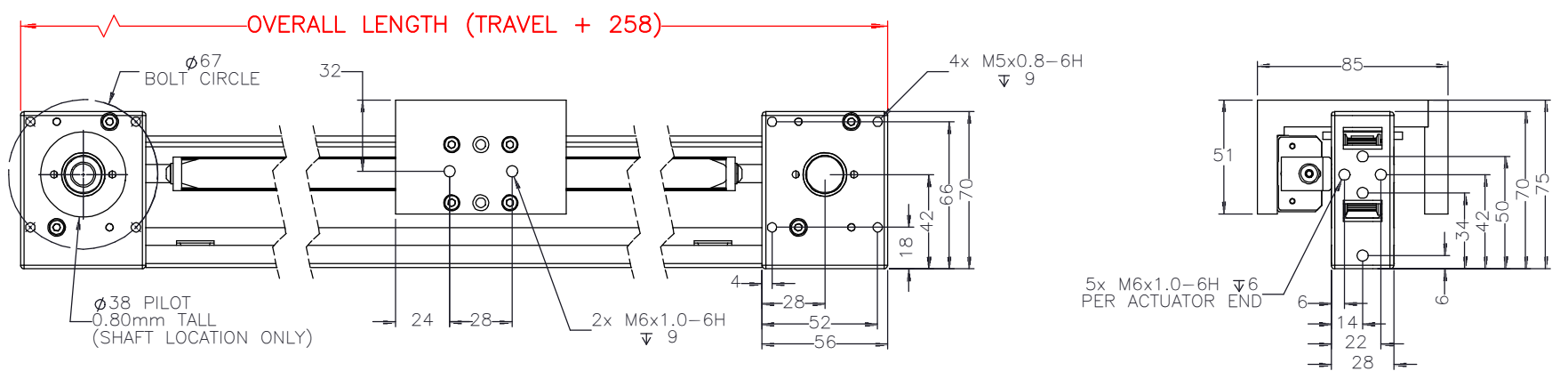
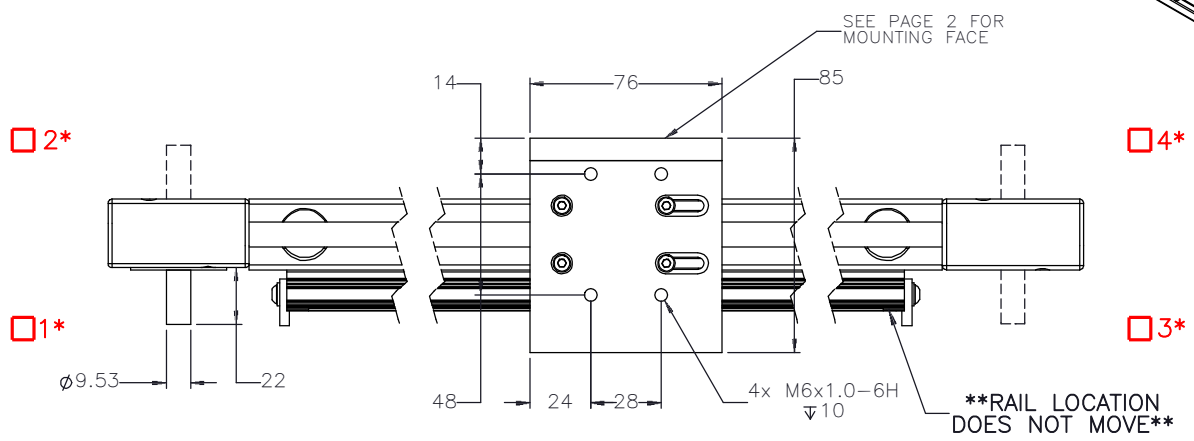
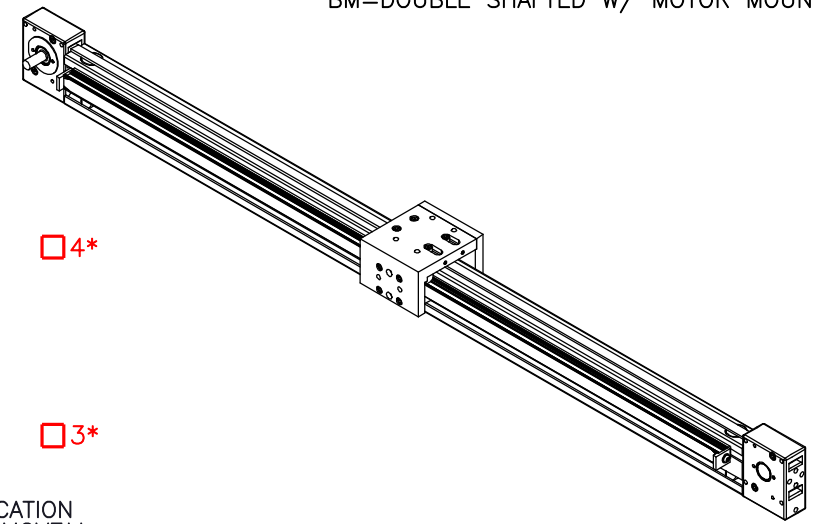


# MSA-R15-B-AB- -

PULLEY PITCH DIAMETER	33.42mm (1.316")
PULLEY WIDTH	16.3mm (.642")
PULLEY MATERIAL	STEEL
BELT WEIGHT	.0025 lb/in or 1.1g/25mm
TRAVEL PER REV.	105mm
TRAVEL MIN.	150mm
TRAVEL MAX.	3850mm

*ENTER*  
TRAVEL IN INCREMENTS OF 25mm  
*SELECT*  
DRIVE SHAFT LOCATION \*  
*SHAFTING TYPE*  
A0= SINGLE SHAFTED  
B0= DOUBLE SHAFTED

NOTE: (IF "B" IS USED THE NUMBER WILL DESIGNATE POSITION OF THE BOSS ON THE PULLEY)  
AM= SINGLE SHAFTED W/ MOTOR MOUNT  
BM= DOUBLE SHAFTED W/ MOTOR MOUNT

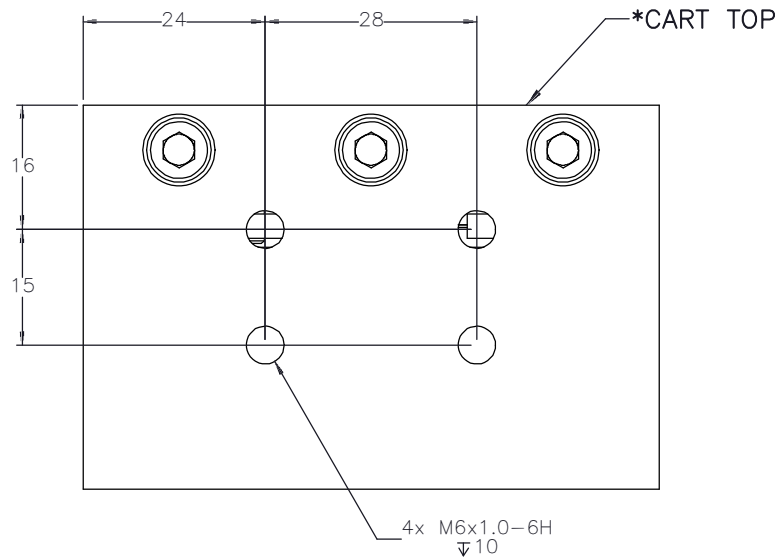


APPROVED: \_\_\_\_\_  
DATE: \_\_\_\_\_

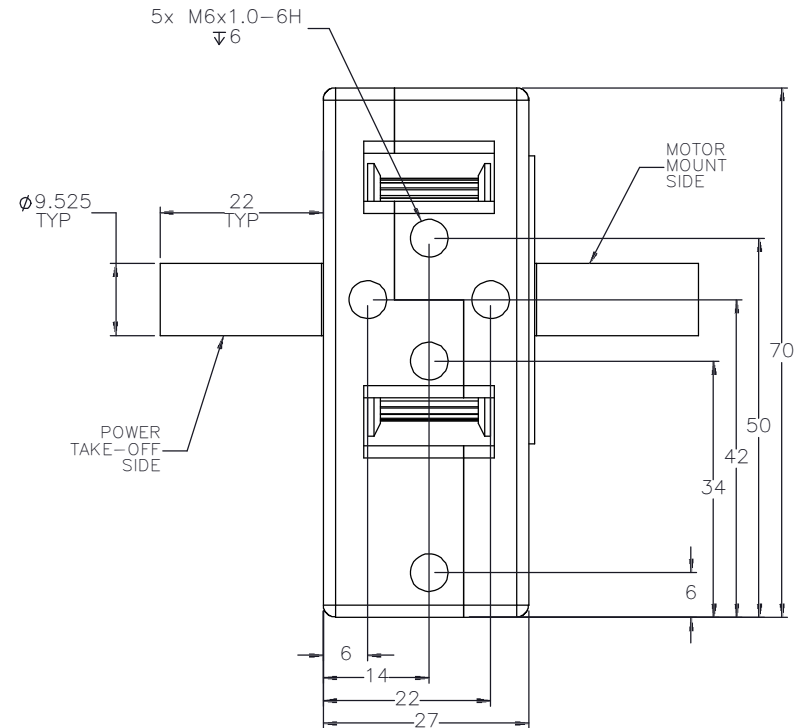
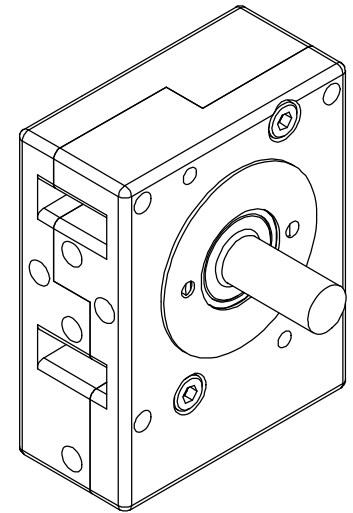
<p><b>MACRON DYNAMICS INC</b></p>	DRAWN BY: ASB    DATE: 3/6/2012    MATERIAL:	TITLE: MACRON R15 RAIL ACTUATOR
	CHECKED BY: --    DATE: DD/MM/YYYY	
	LAST SAVED BY: Alex    DATE: 5/1/2015	
	FINISH:	
UNLESS OTHERWISE SPECIFIED: DIMENSIONS ARE IN INCHES: TOLERANCES UNLESS NOTED: .XX ± .03 .XX ± .010 .XXX ± .005 ANG ± 0°30'	SURFACE FINISH $\nabla$	SCALE: 1:1    SHEET SIZE: C
THIS DRAWING IS THE PROPERTY OF MACRON DYNAMICS. ANY REPRODUCTIONS SHALL BE FOR QUOTATION, MANUFACTURING, OR PURCHASING PURPOSES ONLY. RELEASE OF DRAWINGS TO OTHER CONCERNS DOES NOT CONSTITUTE LICENSING IN ANY WAY. INFORMATION CONTAINED HEREIN IS PROPRIETARY AND CONFIDENTIAL.	BREAK ALL SHARP EDGES DIMENSIONAL LIMITS APPLY AFTER FINISHING THIRD ANGLE PROJECTION	SHEET: 1 OF 6    PART NUMBER: MSA-R15

SPECIFICATIONS ARE SUBJECT TO CHANGE WITHOUT NOTICE

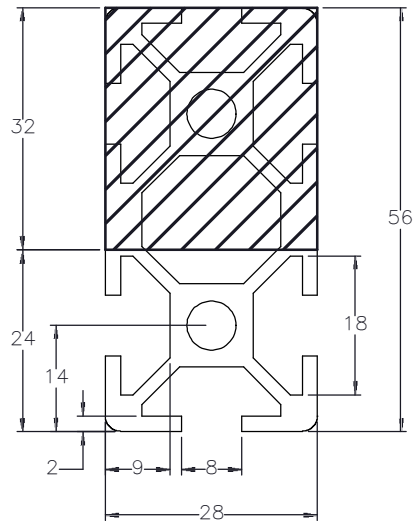
# CART MOUNTING FEATURES



# DOUBLE SHAFTED PULLEY



# CUSTOMER ACCESSIBLE MOUNTING FEATURES, T-NUT SLOTS



SPECIFICATIONS ARE SUBJECT TO CHANGE WITHOUT NOTICE

	DRAWN BY: ASB CHECKED BY: -- LAST SAVED BY: Alex	DATE: 3/6/2012 DATE: DD/MM/YYYY DATE: 5/1/2015	MATERIAL:	TITLE: MACRON R15 RAIL ACTUATOR
	UNLESS OTHERWISE SPECIFIED: DIMENSIONS ARE IN INCHES: TOLERANCES UNLESS NOTED OTHERWISE: .X ± .03 .XX ± .010 .XXX ± .005 ANG ± 0°30'	SURFACE FINISH: <input checked="" type="checkbox"/> BREAK ALL SHARP EDGES DIMENSIONAL LIMITS APPLY AFTER FINISHING THIRD ANGLE PROJECTION	FINISH:	SCALE: 1:1 SHEET SIZE: C