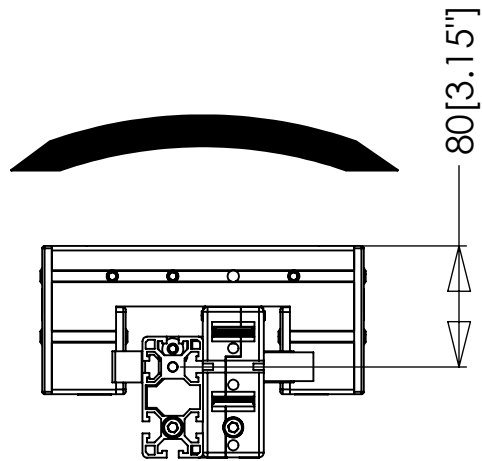
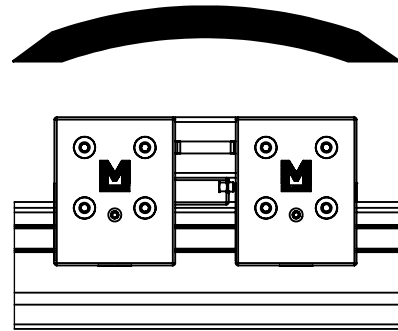


# MOMENT LOADING FOR THE MSA-14H ACTUATOR

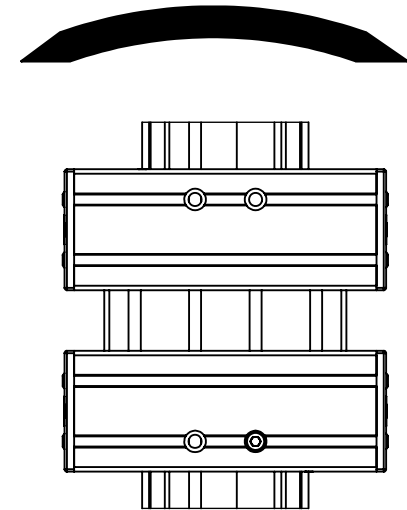
(CALCULATED FROM THE CENTERLINE OF THE GUIDE RAILS)



$M_x$  (static) = 182 in-lbs, 20 Nm.  
 $M_x$  (dynamic) = 292 in-lbs, 33 Nm.



$M_y$  (static) = 131 in-lbs, 15 Nm.  
 $M_y$  (dynamic) = 209 in-lbs, 23 Nm.



$M_z$  (static) = 885 in-lbs, 100 Nm.  
 $M_z$  (dynamic) = 1416 in-lbs, 160 Nm.



MACRON DYNAMICS INC