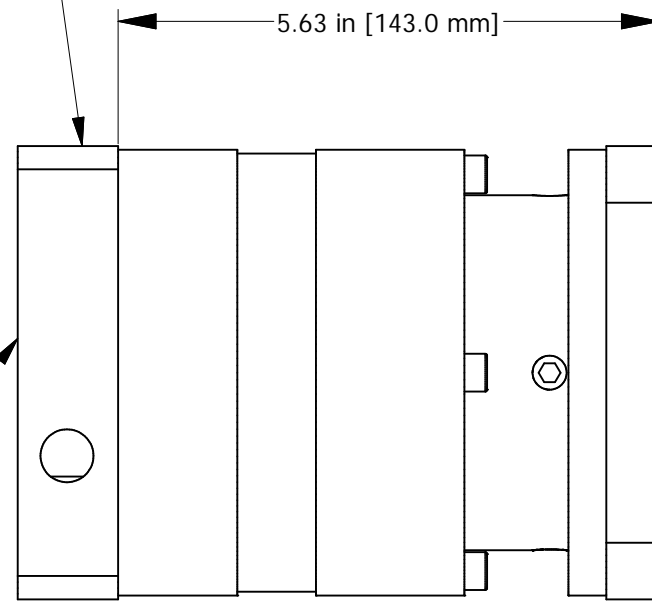
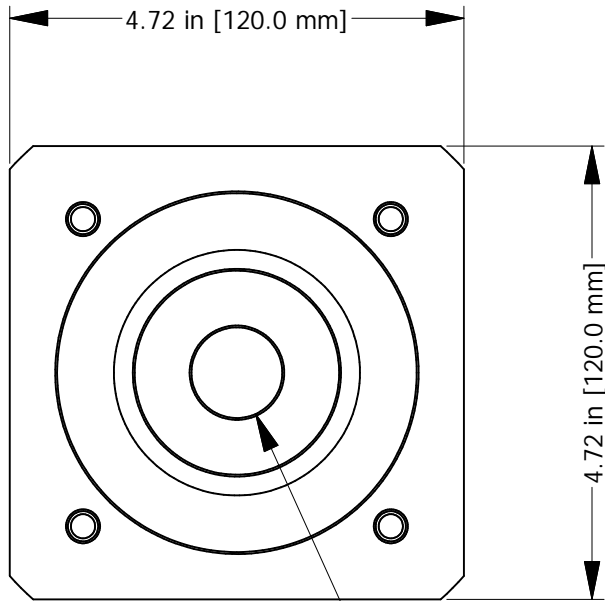
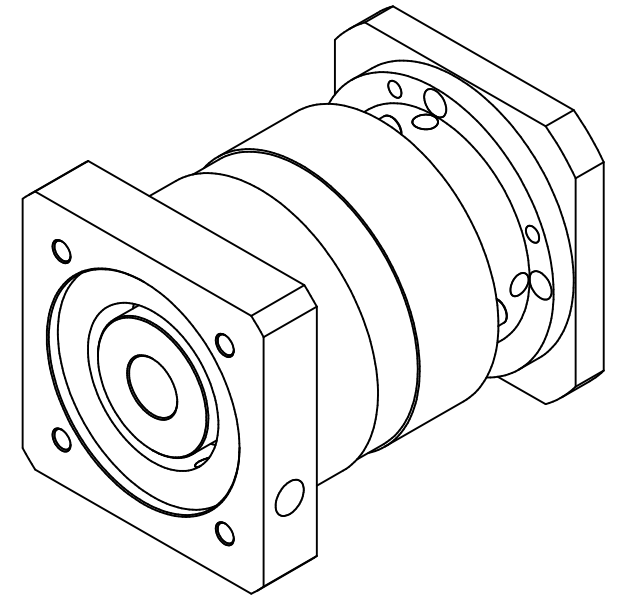


NOTE: MOUNTING FLANGE THICKNESS MAY VARY BASED ON MOTOR SHAFT LENGTH
 MINIMUM THICKNESS IS 26.5mm FOR SHAFTS UP TO 41mm IN LENGTH.
 ANY MOTOR SHAFT LONGER THAN 41mm WILL ELONGATE THE ADAPTER
 BY ABOUT THE SAME AMOUNT THAT THE SHAFT IS LONGER.



MOTOR
INTERFACE
PLATE

ACTUATOR
INTERFACE
PLATE

MAX MOTOR SHAFT \varnothing =
 \varnothing .94 in [24.0 mm]

 3RD ANGLE PROJECTION		 MACRON DYNAMICS, INC.	
STD. RAW STOCK COMER'L. TOL. APPLY BREAK ALL UNNECESSARY SHARP EDGES DIMENSIONAL LIMITS APPLY AFTER FINISH UNLESS OTHERWISE SPECIFIED ALL DIMENSIONS IN INCHES ALL DIMENSIONS IN [] ARE IN MILLIMETERS -TOLERANCES UNLESS SPECIFIED- ANGULAR 0°-30° FRACTIONAL \pm 1/64 [0.40] DECIMAL 2 PLC \pm 0.01 [0.25] DECIMAL 3 PLC \pm 0.005 [0.13]		THIS DRAWING IS THE PROPERTY OF MACRON DYNAMICS. ANY REPRODUCTIONS SHALL BE FOR QUOTATION, MANUFACTURING, OR PURCHASING PURPOSES ONLY. RELEASE OF DRAWINGS TO OTHER CONCERNS DOES NOT CONSTITUTE LICENSING OR ANY OTHER INFORMATION CONTAINED HEREIN IS PROPRIETARY AND CONFIDENTIAL.	
COMPUTER GENERATED DOCUMENT MANUAL CHANGES NOT PERMITTED		TITLE 118 GEAR BOX	
SCALE	DATE	ORDER #	
NONE	7/3/2007		
DRAWN	CHECKED	APPROVED	
Larry	KM	LM	
TOP LEVEL ASSEMBLY		SIZE DWG. NO.	REV
		C MPG-118	00
		DO NOT SCALE DRAWING	SHEET 1 OF 1