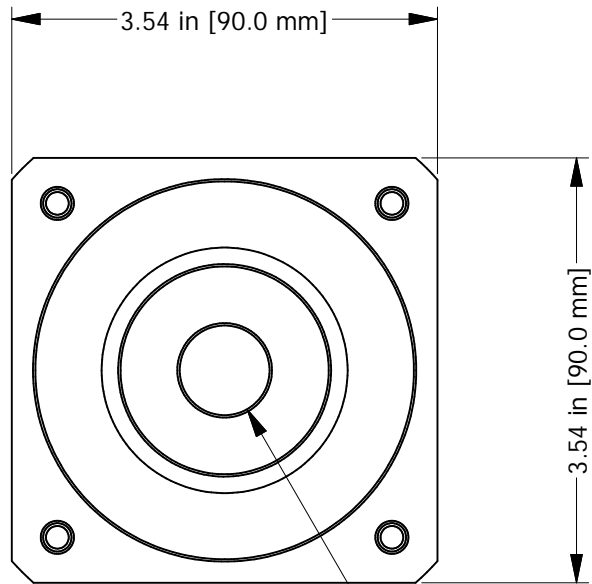
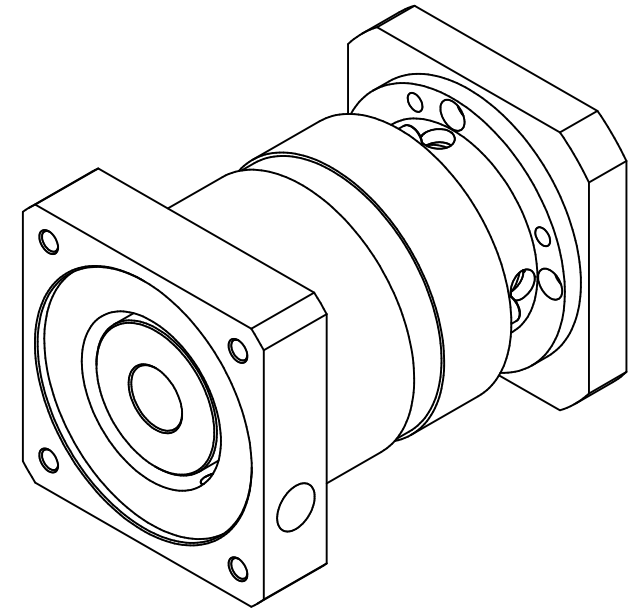
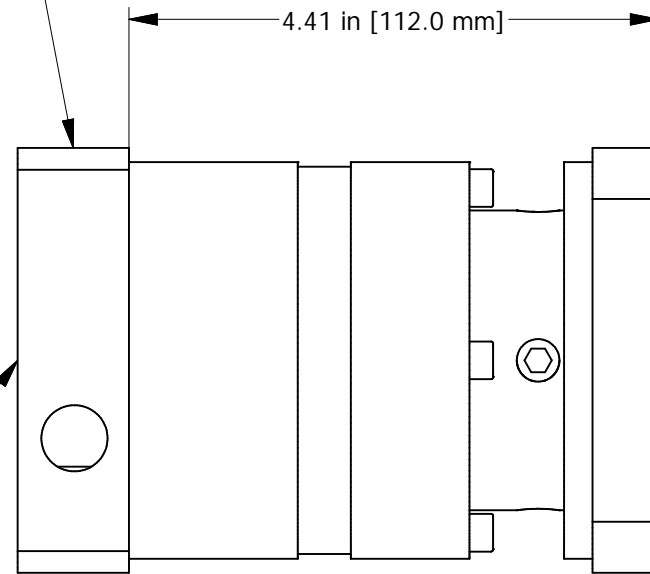


NOTE: MOUNTING FLANGE THICKNESS MAY VARY BASED ON MOTOR SHAFT LENGTH
 MINIMUM THICKNESS IS 23.5mm FOR SHAFTS UP TO 31mm IN LENGTH.
 ANY MOTOR SHAFT LONGER THAN 31mm WILL ELONGATE THE ADAPTER
 BY ABOUT THE SAME AMOUNT THAT THE SHAFT IS LONGER.



MOTOR
INTERFACE
PLATE



ACTUATOR
INTERFACE
PLATE

MAX MOTOR SHAFT ϕ =
 ϕ .75 in [19.0 mm]

 3RD ANGLE PROJECTION		<small>THIS DRAWING IS THE PROPERTY OF MACRON DYNAMICS. ANY REPRODUCTIONS SHALL BE FOR QUOTATION, MANUFACTURING, OR PURCHASING PURPOSES ONLY. RELEASE OF DRAWINGS TO OTHER CONCERNS DOES NOT CONSTITUTE LICENSING. IN ANY WAY, INFORMATION CONTAINED HEREIN IS PROPRIETARY AND CONFIDENTIAL.</small>		 MACRON DYNAMICS, INC.	
<small>STD. RAW STOCK COMER'L. TOL. APPLY BREAK ALL UNNECESSARY SHARP EDGES DIMENSIONAL LIMITS APPLY AFTER FINISH UNLESS OTHERWISE SPECIFIED ALL DIMENSIONS IN INCHES ALL DIMENSIONS IN [] ARE IN MILLIMETERS -TOLERANCES UNLESS SPECIFIED-</small>		COMPUTER GENERATED DOCUMENT, MANUAL CHANGES NOT PERMITTED		TITLE 084 GEAR BOX	
<small>SCALE</small> NONE	<small>DATE</small> 7/3/2007	<small>ORDER #</small>		<small>SIZE DWG. NO.</small> C MPG-084	
<small>DRAWN</small> Larry	<small>CHECKED</small> KM	<small>APPROVED</small> LM		<small>REV</small> 00	
<small>TOP LEVEL ASSEMBLY</small>				<small>DO NOT SCALE DRAWING</small> SHEET 1 OF 1	